

Note: 402 ohm resistor and 10uF capacitor are not stuffed on LOS controllers for the RCM and BS.

D

C

B

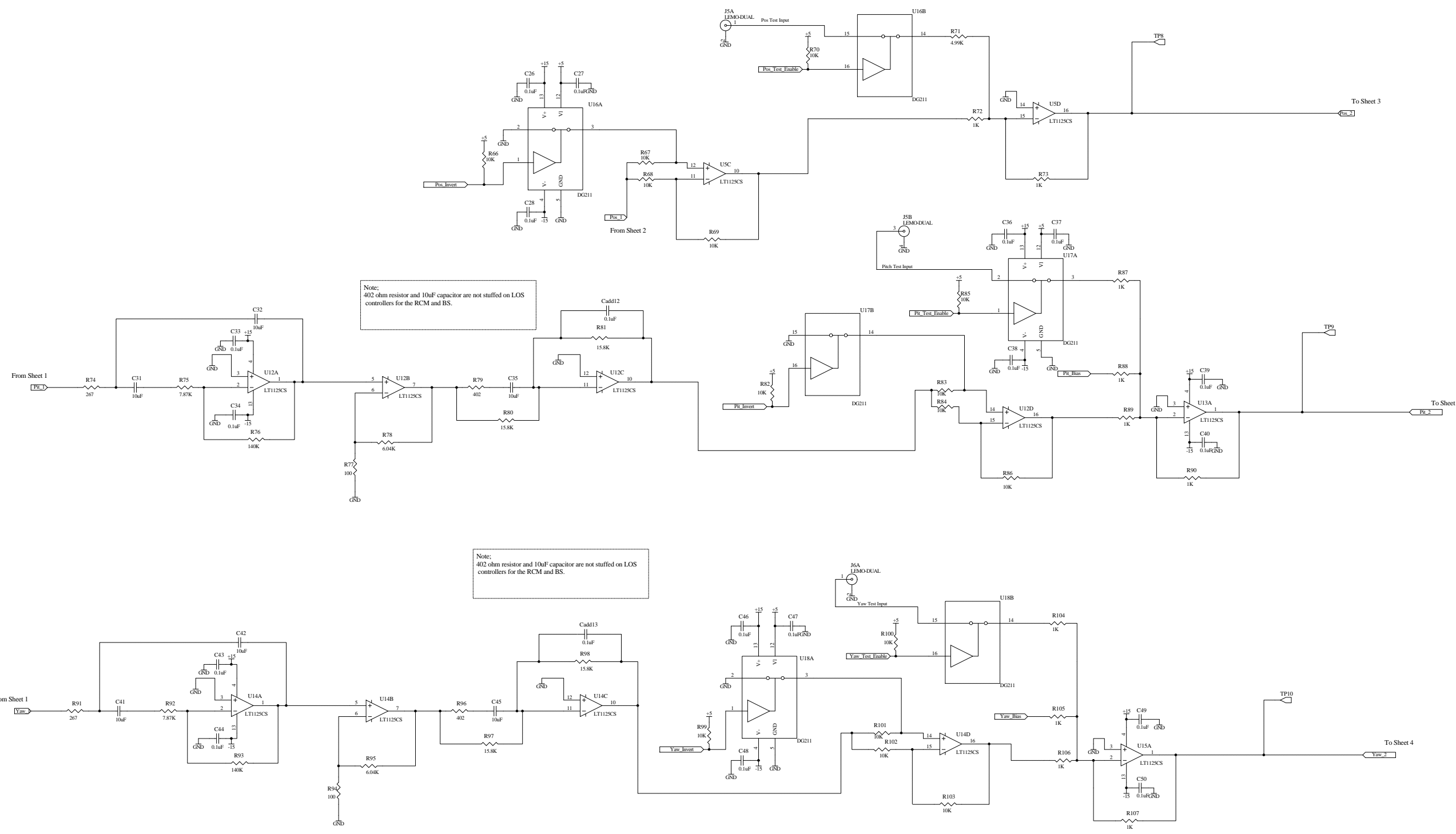
A

D

C

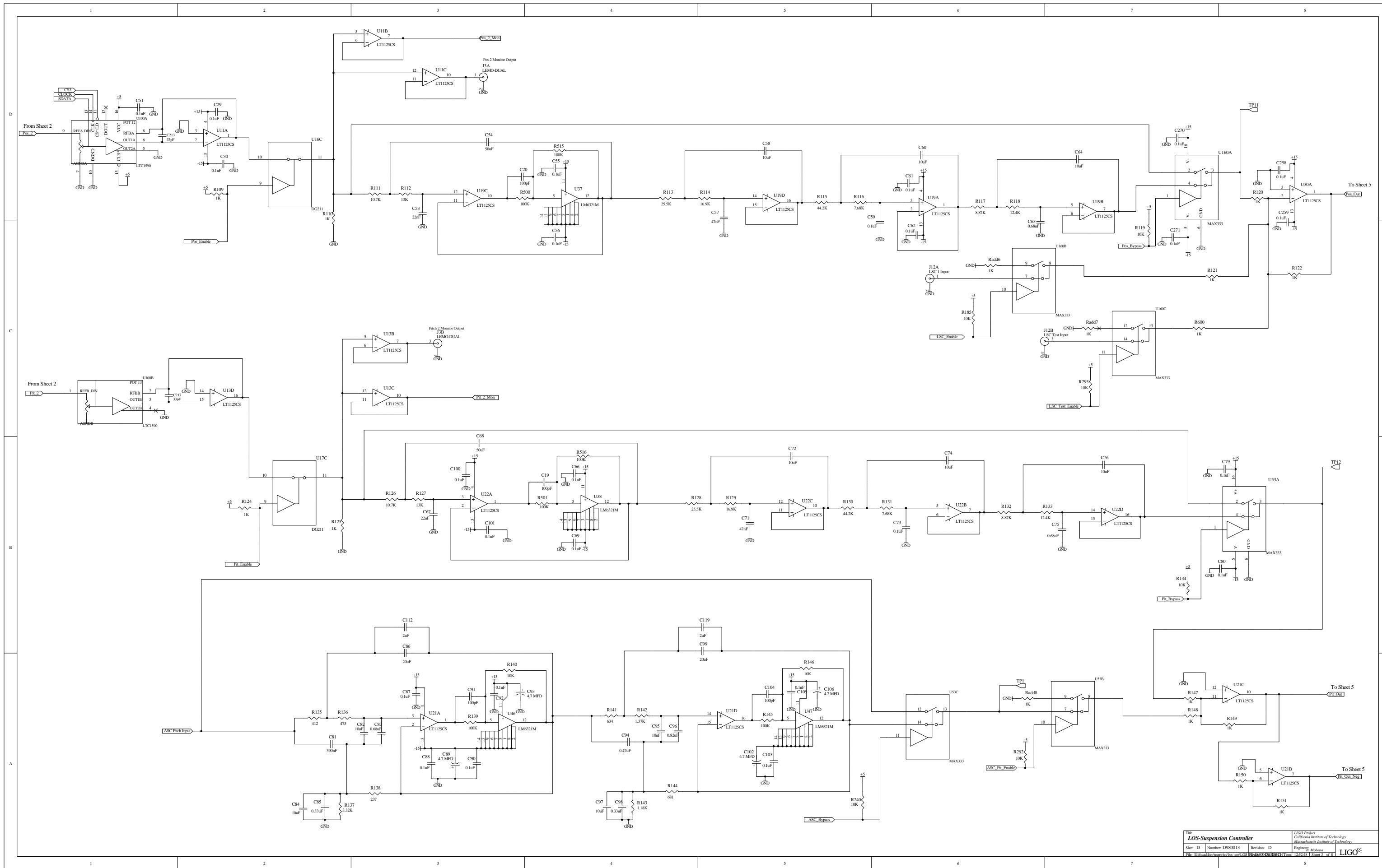
B

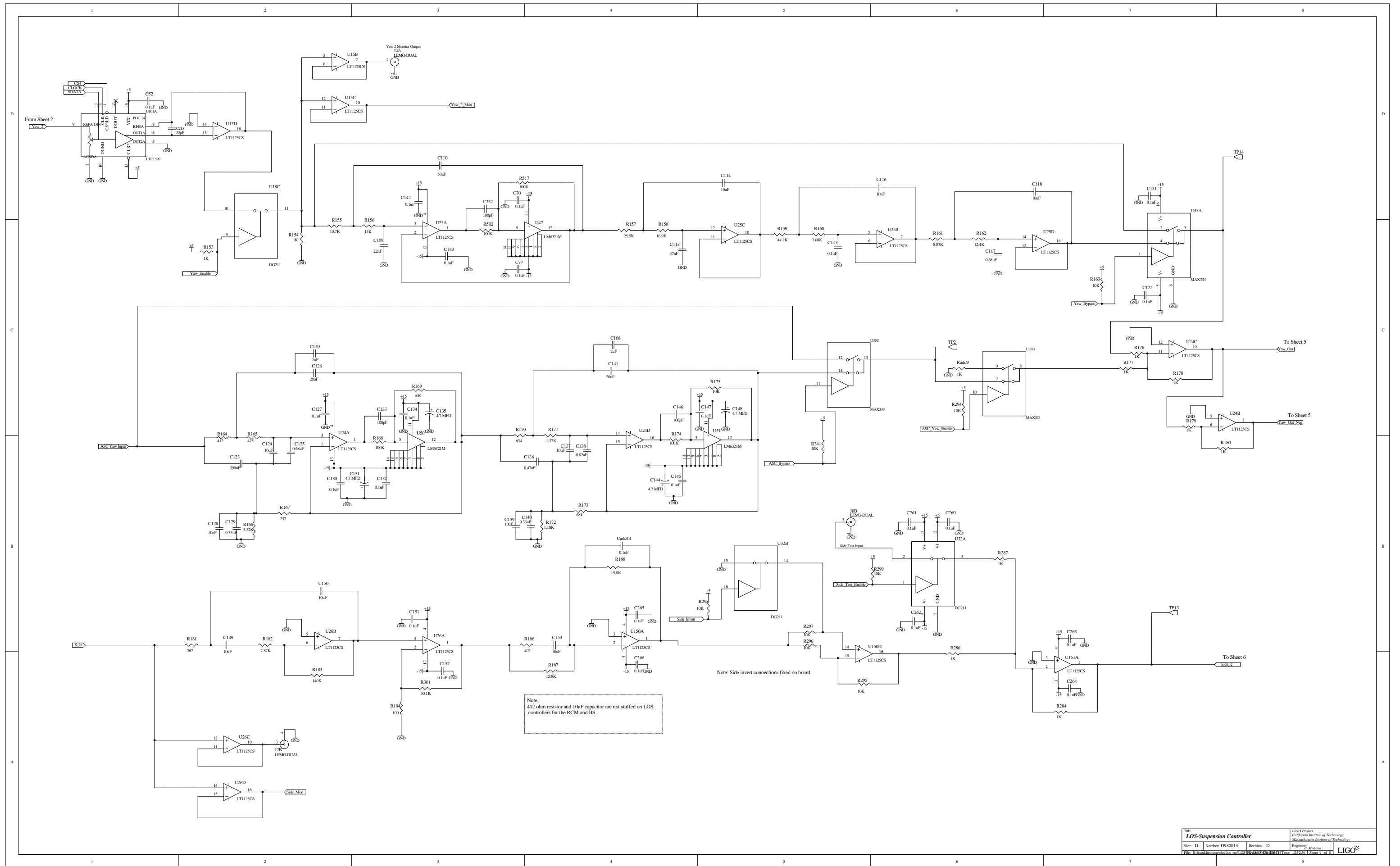
A

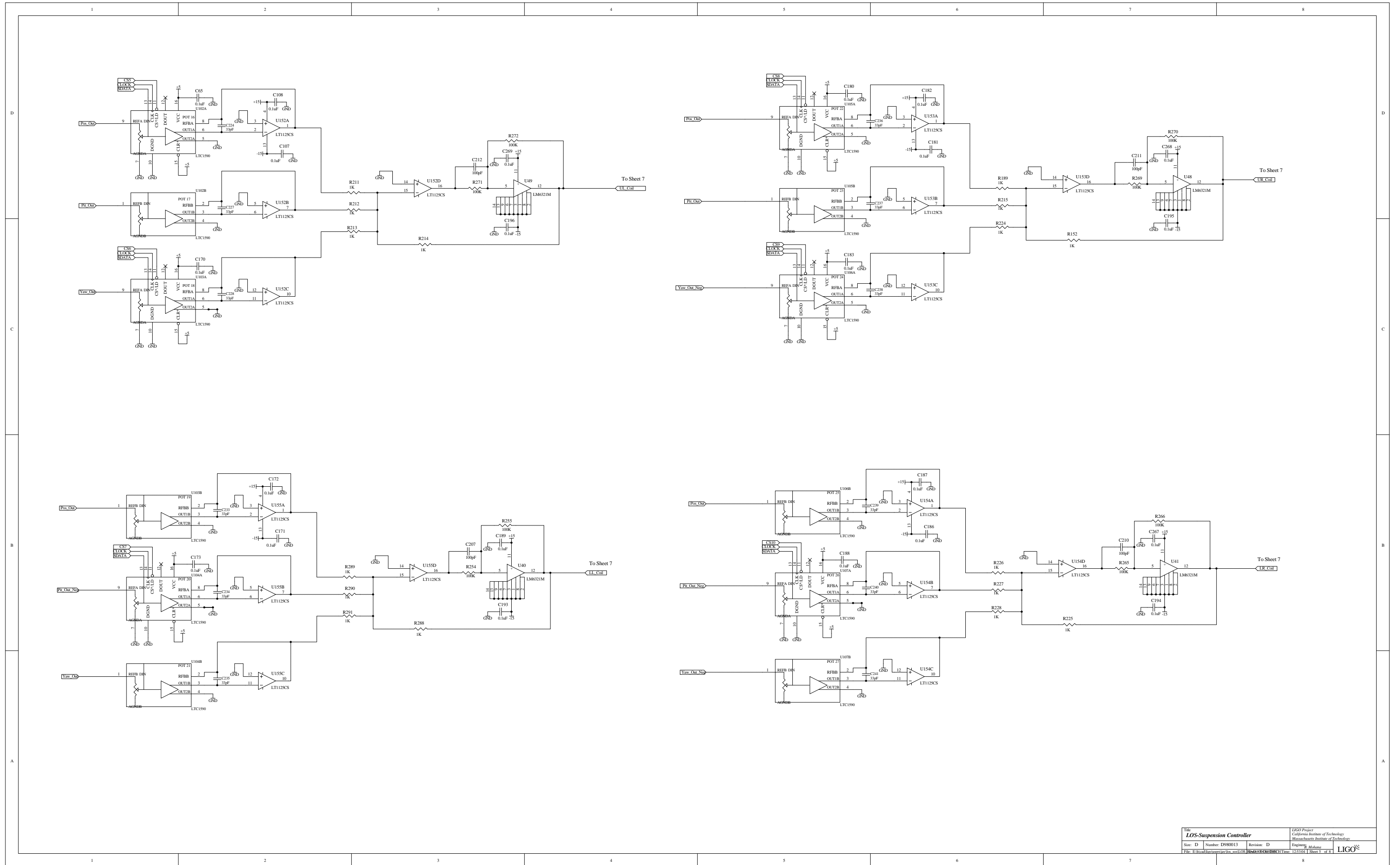


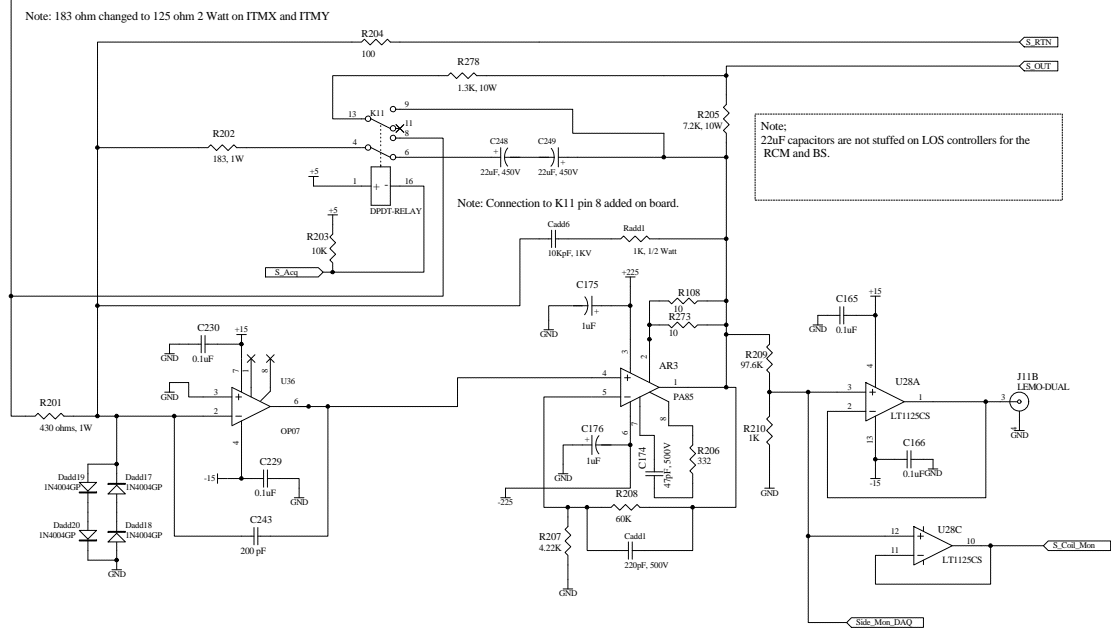
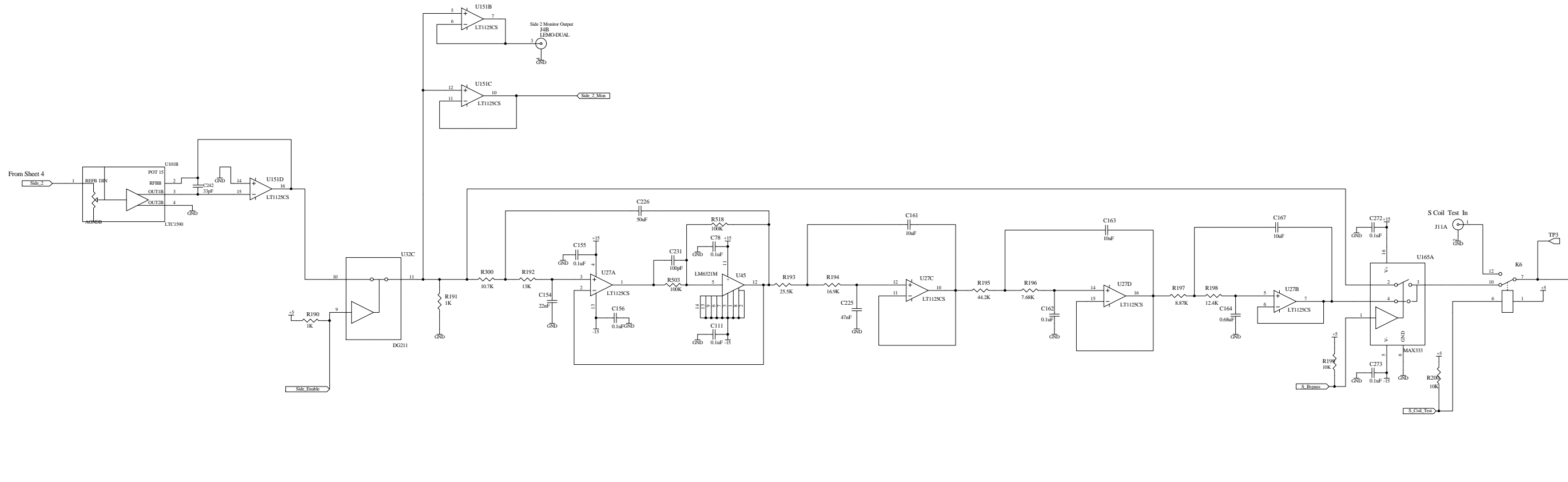
Note:
402 ohm resistor and 10uF capacitor are not stuffed on LOS controllers for the RCM and BS.

Note:
402 ohm resistor and 10uF capacitor are not stuffed on LOS controllers for the RCM and BS.



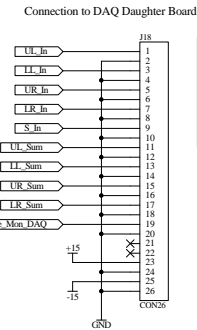
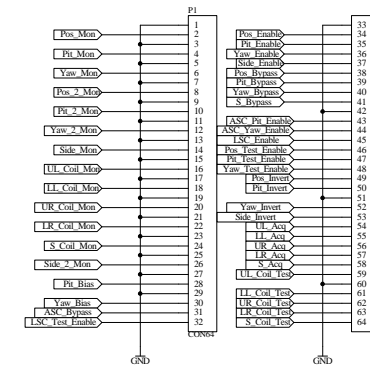
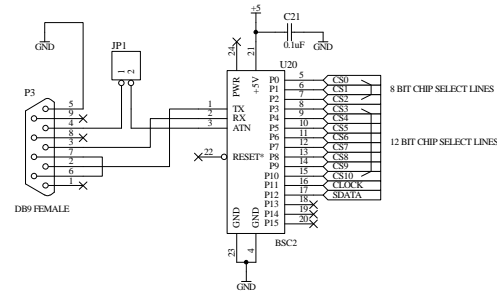
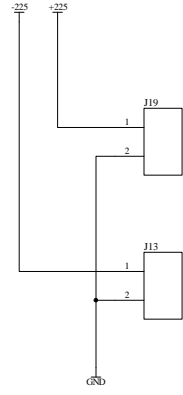
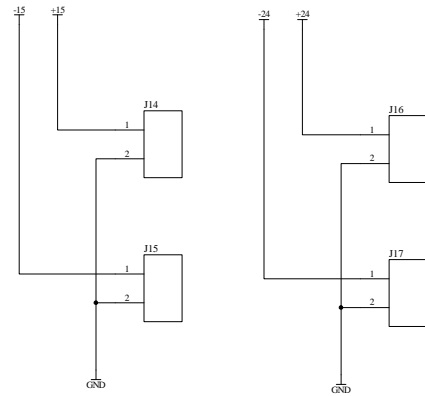






Note: PA85 feedback Cap and resistor added on bottom of the board

Revision	Description	Date
A	Initial Release	?
B	As built changes: E990211-00-C	5/99
C	1. Added compensation networks to coil drivers with capacitors, Cadd1 through Cadd10 and resistors Radd1 through Radd5 2. Changed coil driver 183 ohm (R202, R216, R229, R243, R256) to 125 ohm, 2 Watt for ITMX and ITMY and to 183 ohm 1 watt on all other chassis. 3. Cadd1 through Cadd14 added to board to stabilize and limit high freq gain of 1Hz zero, 40Hz pole compensation stage. 4. Dadd1 through Dadd20 added to coil driver for op amp input protection.	2/00
D	Added Radd6, Radd7, Radd8, Radd9 to terminate unused inputs of MAX333 switches per E010178-00.	5/99



Note:
The wiring to the daughter card was changed after board manufacture. The actual connections to the board are made via wires to the coil driver outputs. The PD connections remain as shown.
An interface board (ref. D990022) is used for this function.

