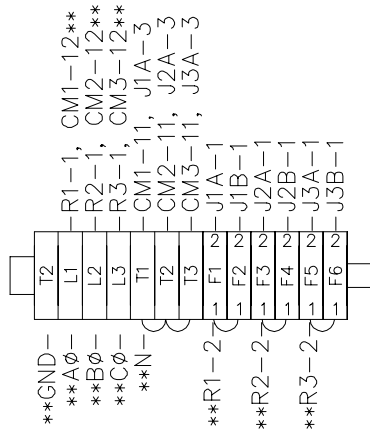
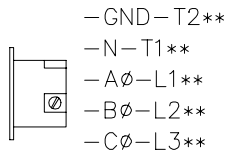
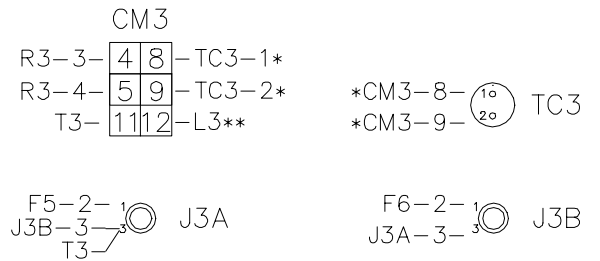
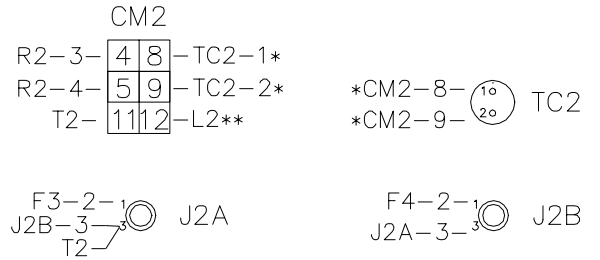
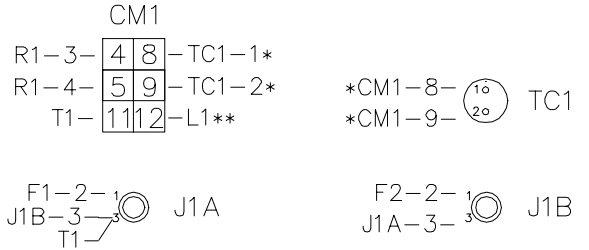
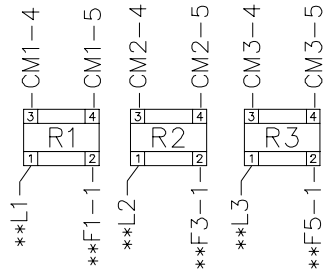


- 1) \* INDICATES THERMOCOUPLE CONDUCTOR ITEM #121.
- 2) \*\* INDICATES #10 AWG CONDUCTOR ITEM #126.
- 3) UNLESS OTHERWISE INDICATED CONDUCTOR SHALL BE #14 AWG ITEM #120.
- 4) VERIFY FINAL CONNECTIONS PRIOR TO ASSEMBLY.



LIGO-D980026-B-W