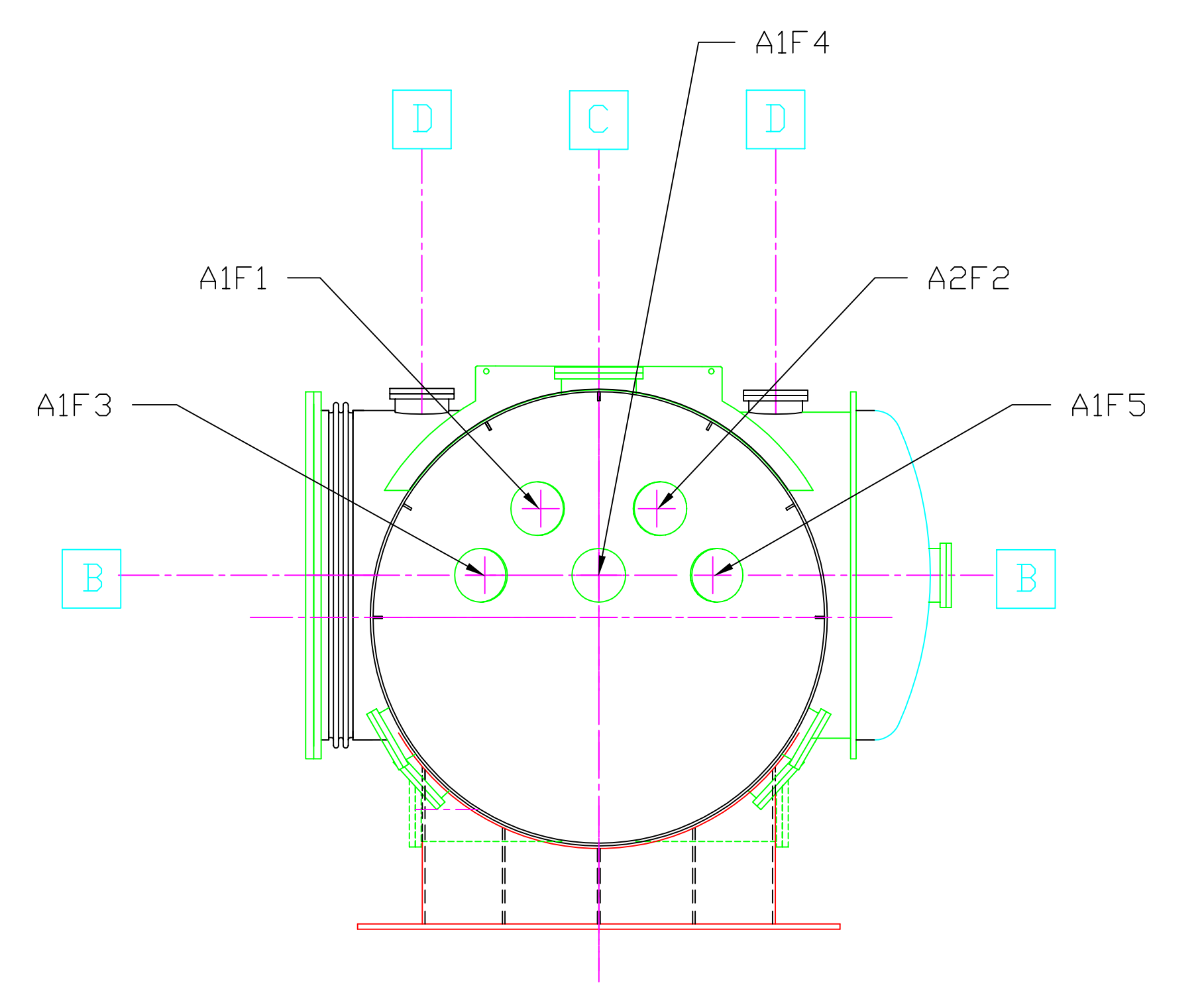
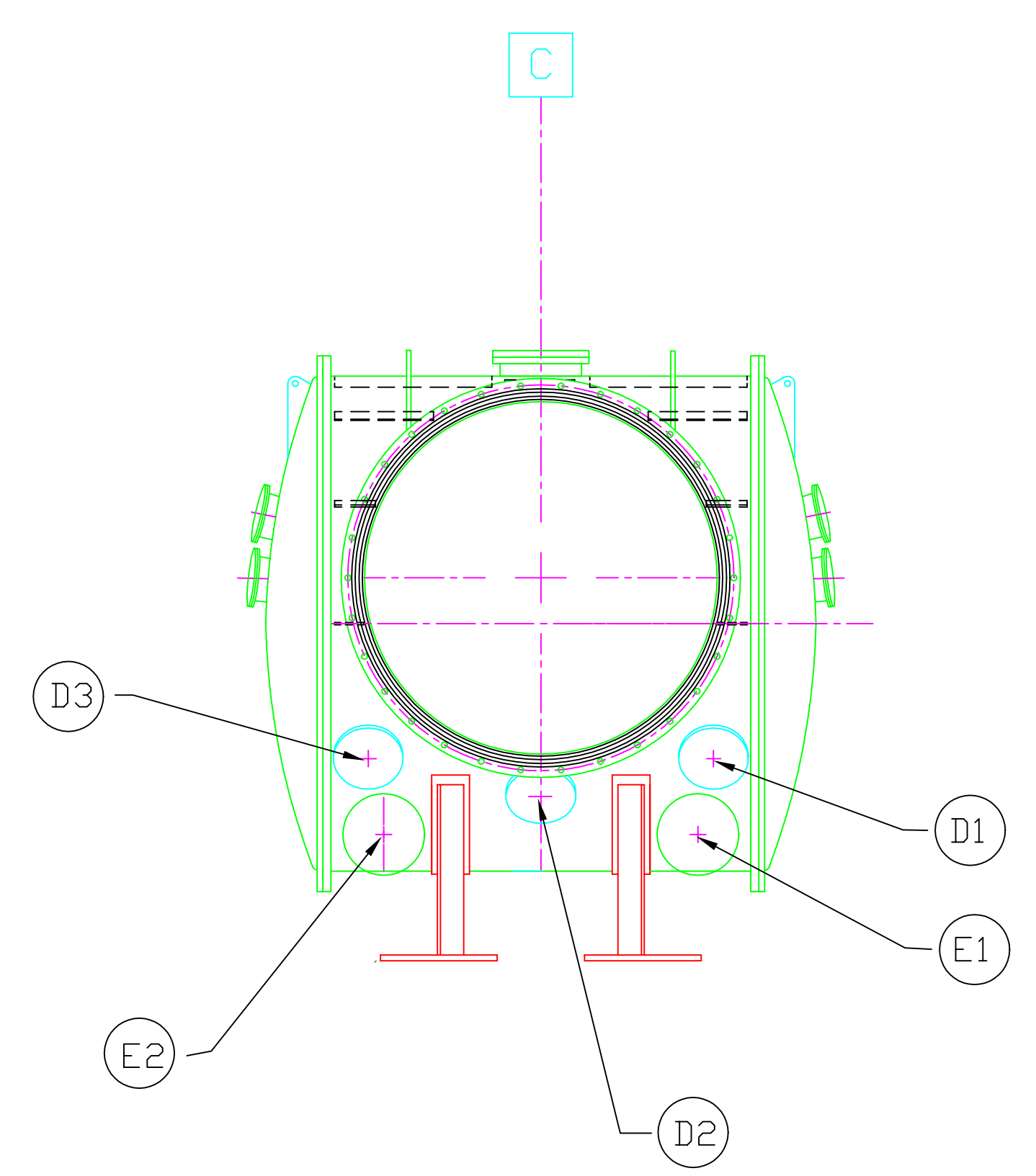
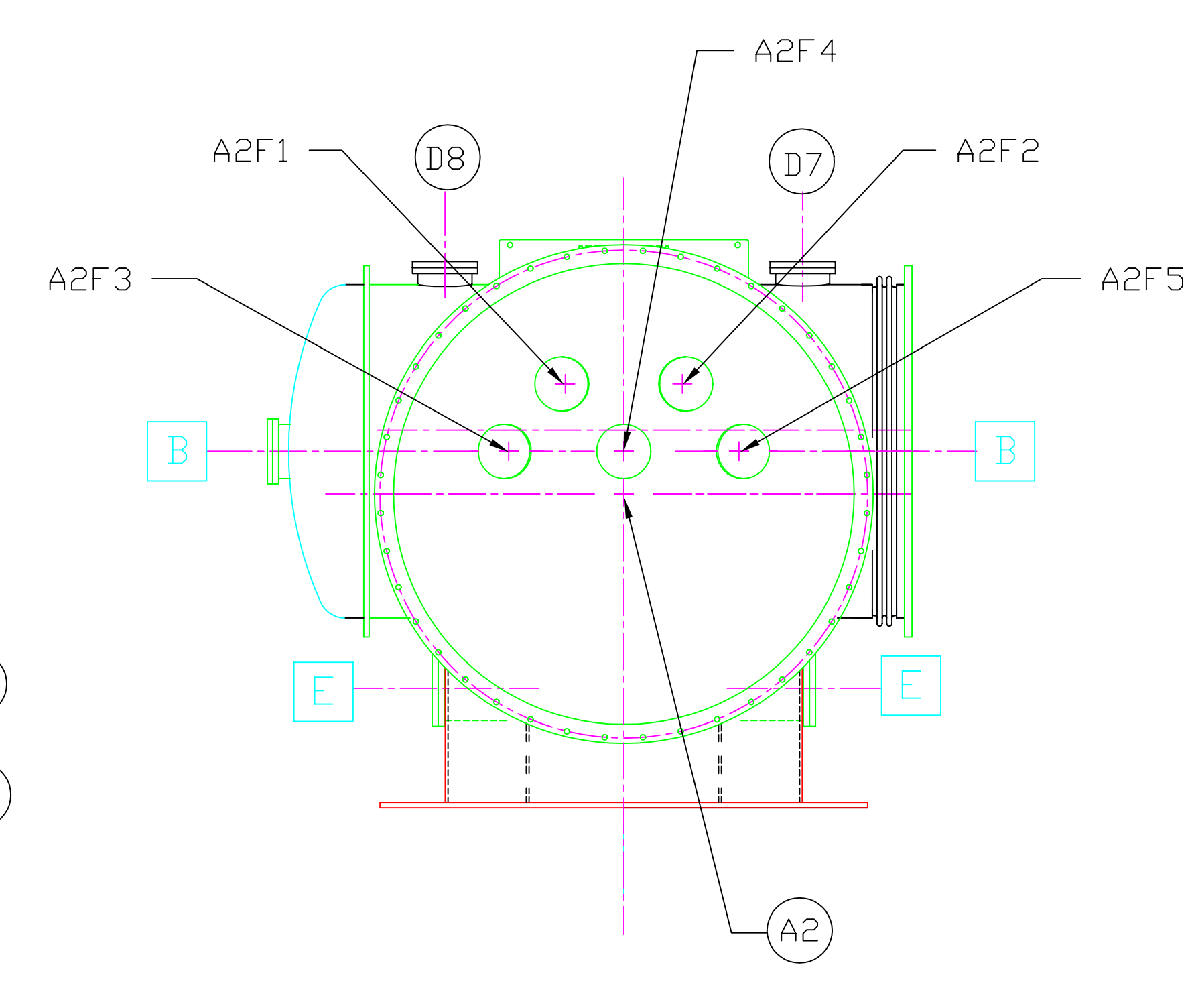
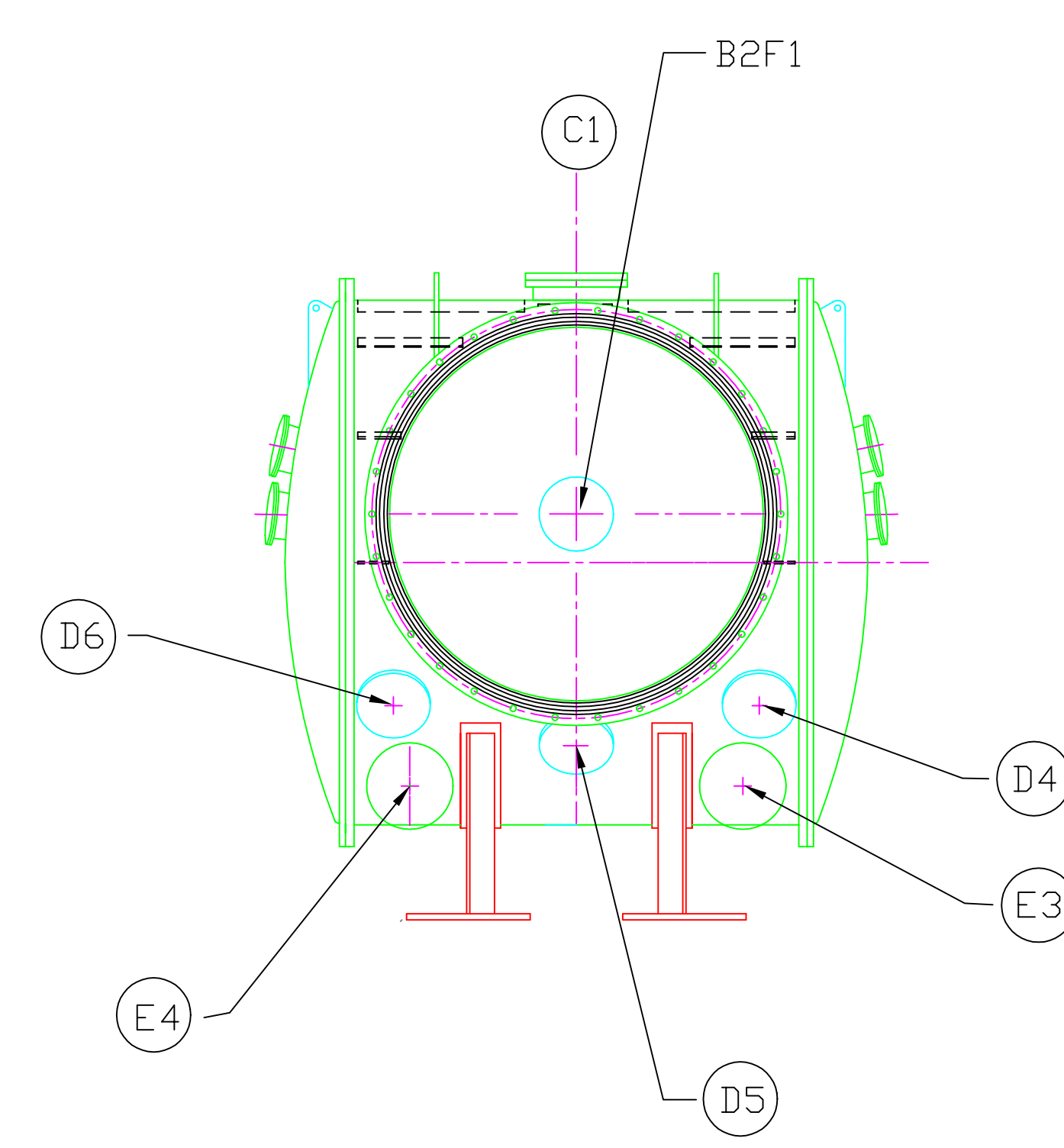
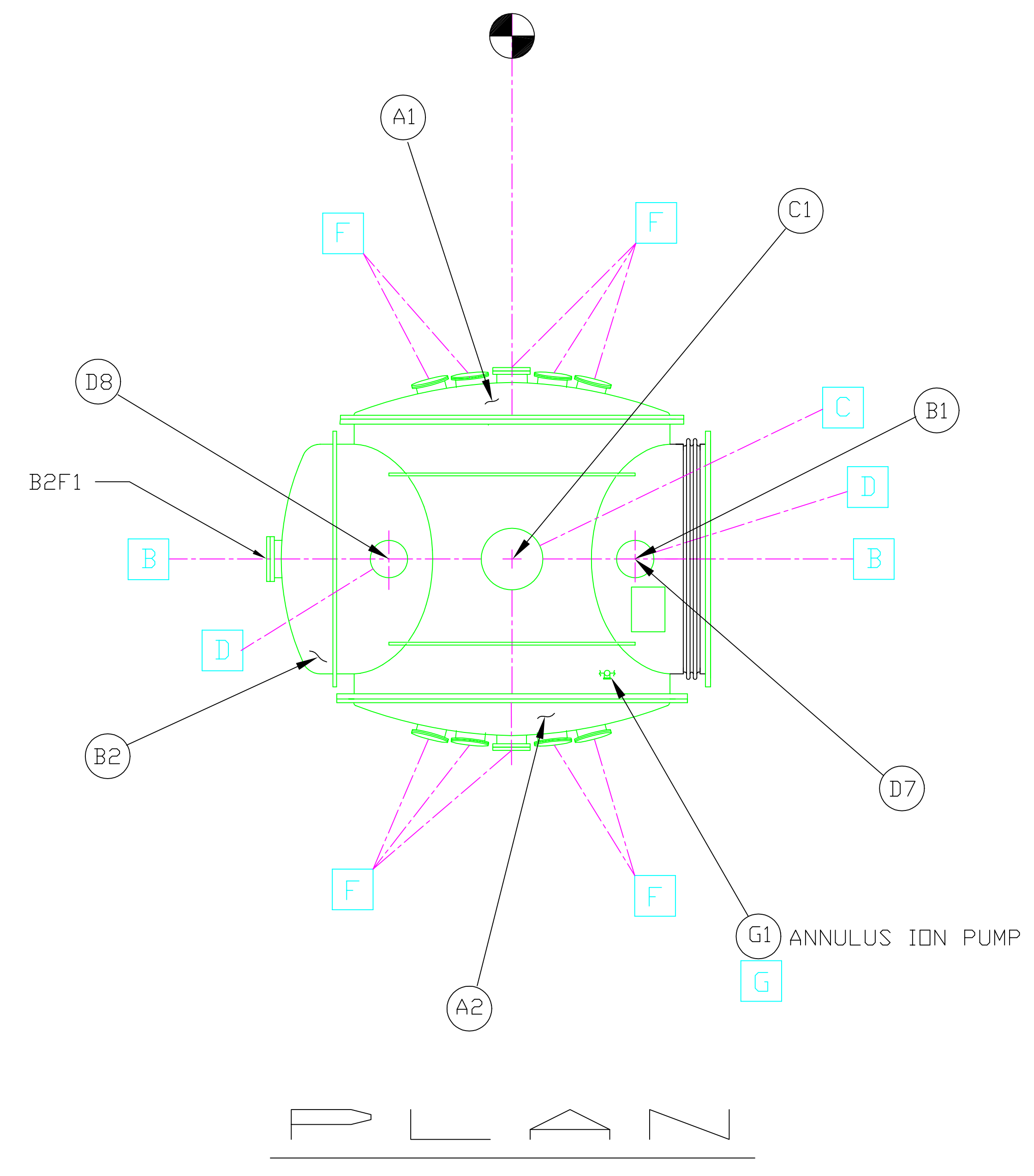


PORT SCHEDULE					
MARK	QTY	SIZE	RATING	TYPE	DESCRIPTION
A	2	84 1/4" I.D.		SEE NOTE 2.3	MAJOR ACCESS (SEE DWG. V049-4-127)
B	2	60 1/2" I.D.		SEE NOTE 2.3	LASER BEAM
C	1	14" O.D. TUBE ***		16 1/2" O.D. CONFLAT ** W/ BLIND FLANGE	AIR SHOWERS (SEE DWG. V049-4-142)
D	8	10" O.D. TUBE ***		12" O.D. CONFLAT ** W/ BLIND FLANGE	ELEC./INSTR. FEEDTHROUGHS, UTILITY
E	4	12" O.D. TUBE		14" O.D. CONFLAT ** W/ BLIND FLANGE	SUPPORT BEAM
F	10	8" O.D. TUBE ***		10" O.D. CONFLAT ** W/ BLIND FLANGE	OBSERVATION PICKOFFS (DWG. V049-4-127)
G	1	2 1/2" O.D. TUBE		4 1/2" O.D. CONFLAT W/ BLIND FLANGE	ANNULUS AUX. TURBO PUMP/OUT PORT (SEE DWG. V049-4-054)



UNLESS OTHERWISE SPECIFIED DIMENSIONS ARE IN FEET (cm)		TOLERANCES: FRACTIONAL ± ANGULAR ± BEND ± TWO PLACE DECIMAL ± THREE PLACE DECIMAL ± FINISHED SURFACE RING BREAK CORNERS IN OUT REMOV. ALL SURF.		DO NOT SCALE THIS DRAWING		00 PRE-RELEASE		ARA 4-17-98	
DWG. NO.	DESCRIPTION	DWG. NO.	DESCRIPTION	REV	DESCRIPTION	ISSUE DESCRIPTION	DCN NUMBER	CHECK	DRWN DATE
		REFERENCE DRAWINGS							
8	7	6	5	4	3	2	1	SCALE NTS	

LIGO CALIFORNIA INSTITUTE OF TECHNOLOGY MASSACHUSETTS INSTITUTE OF TECHNOLOGY  
NAMING CONVENTIONS FOR PORTS ON HAM CHAMBERS  
D980226-00.dwg SIZE E DWG. NO. D980226-00-E  
SHEET 1 OF 1