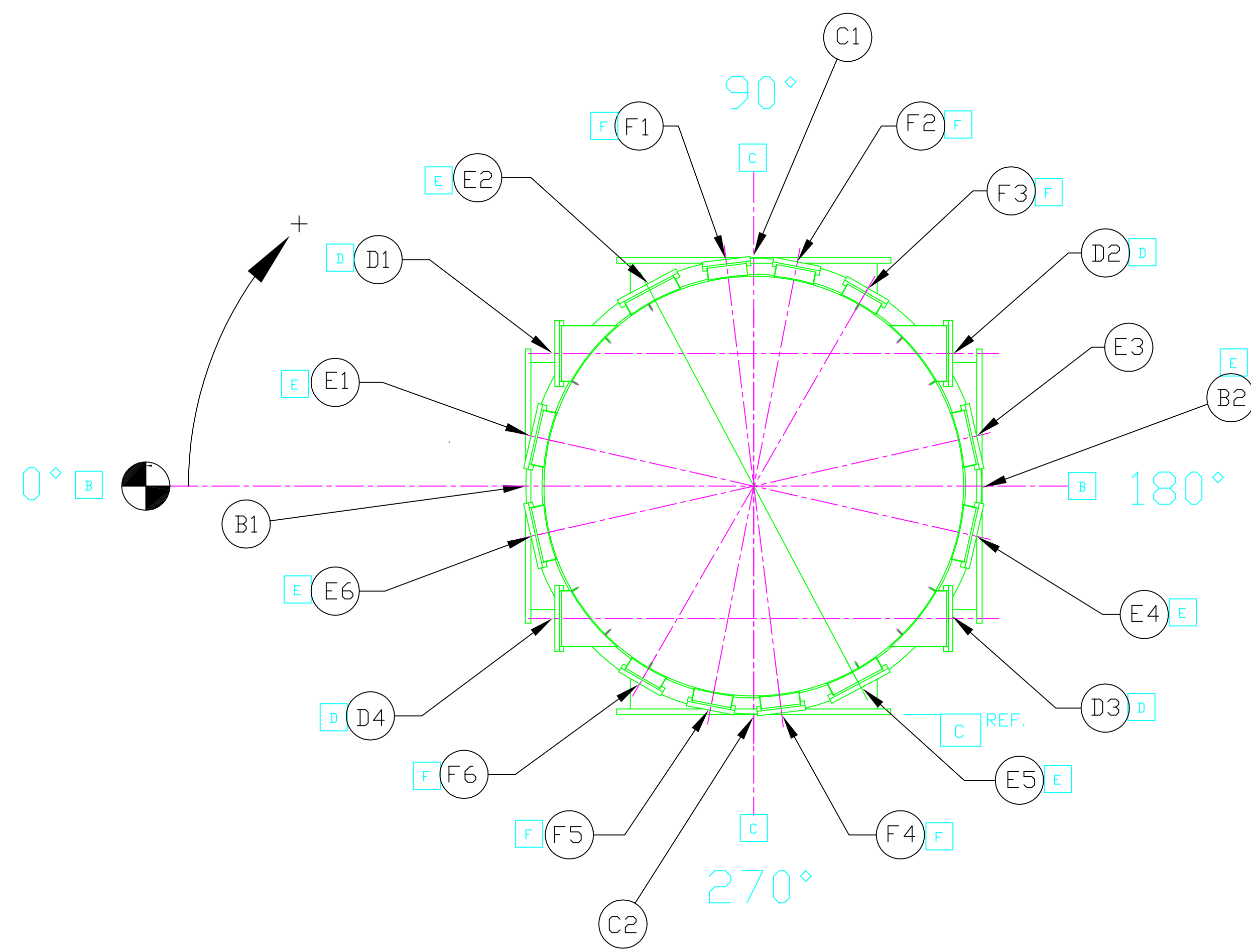
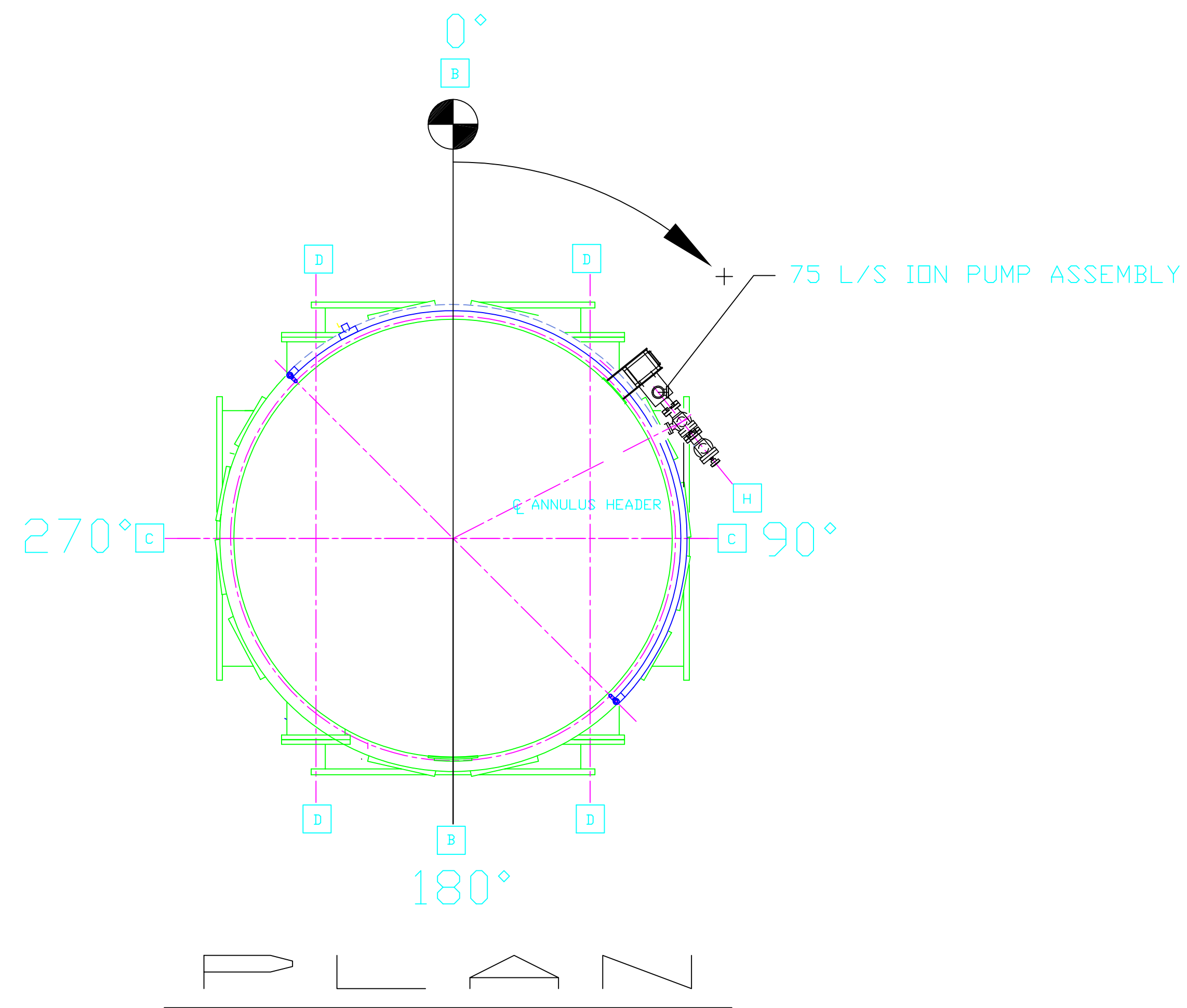


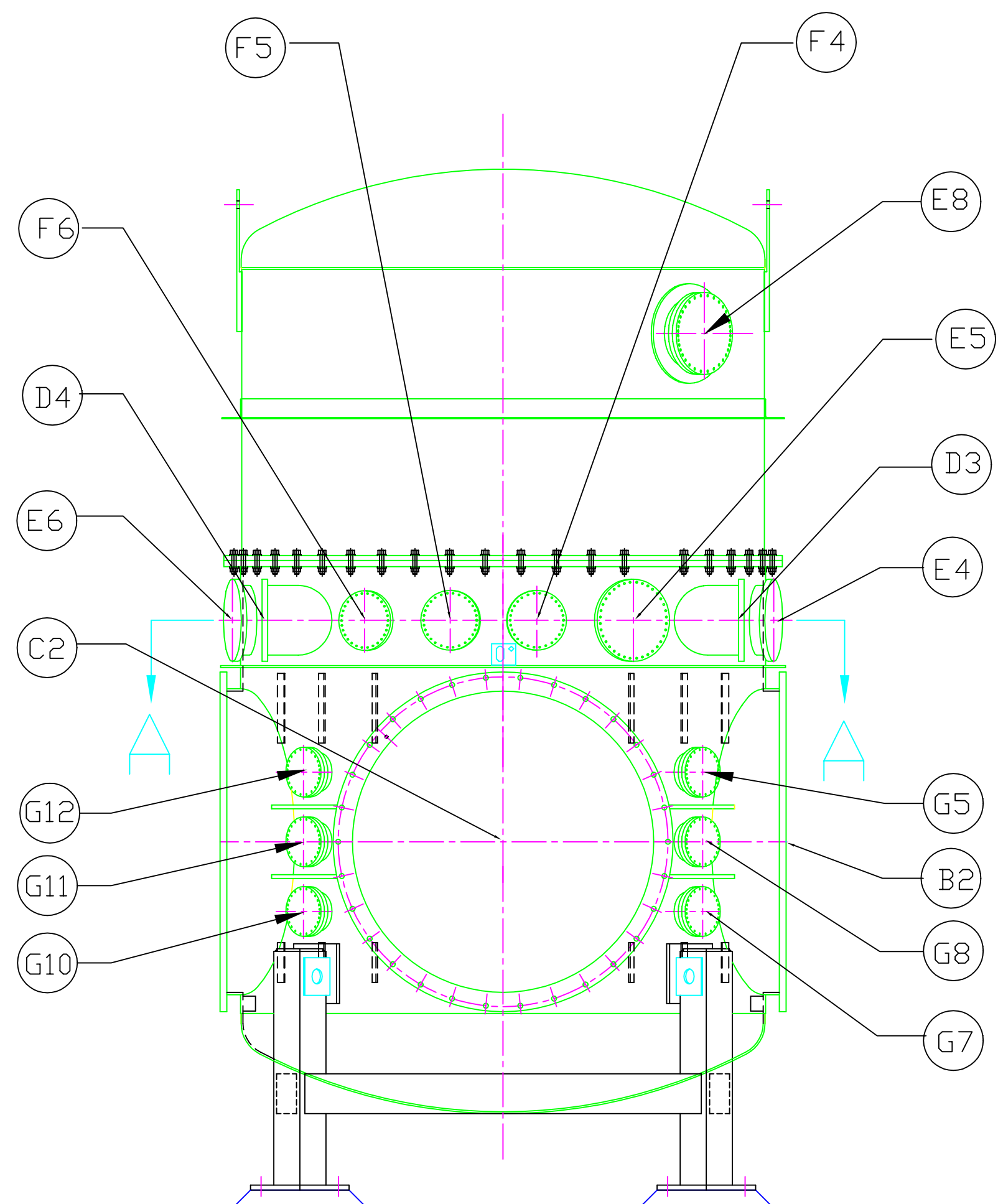
NOZZLE SCHEDULE					
MARK	QTY	SIZE	RATING	TYPE	DESCRIPTION
A	1	104 1/2" I.D.			MAJOR ACCESS
B	2	60 1/2" I.D.			LASER BEAM, ACCESS
C	2	60 1/2" I.D.			ACCESS
D	4	14" O.D. TUBE		16 1/2" O.D. CONFLAT W/ BLIND FLANGE	SUPPORT BEAMS,
E	8	14" O.D. TUBE ***		16 1/2" O.D. CONFLAT W/ BLIND FLANGE	AIR SHWR. ROUGING & IDN PUMPS, UTILITY
F	6	10" O.D. TUBE ***		12" O.D. CONFLAT W/ BLIND FLANGE	ELECTRICAL FEEDTHROUGHS
G	12	8" O.D. TUBE ***		10" O.D. CONFLAT W/ BLIND FLANGE	OBSERVATION, BEAM PICK-OFFS
H	1	2 1/2" O.D. TUBE		4 1/2" CONFLAT W/ BLIND FLANGE	ANNULUS PUMPOUT CONN.



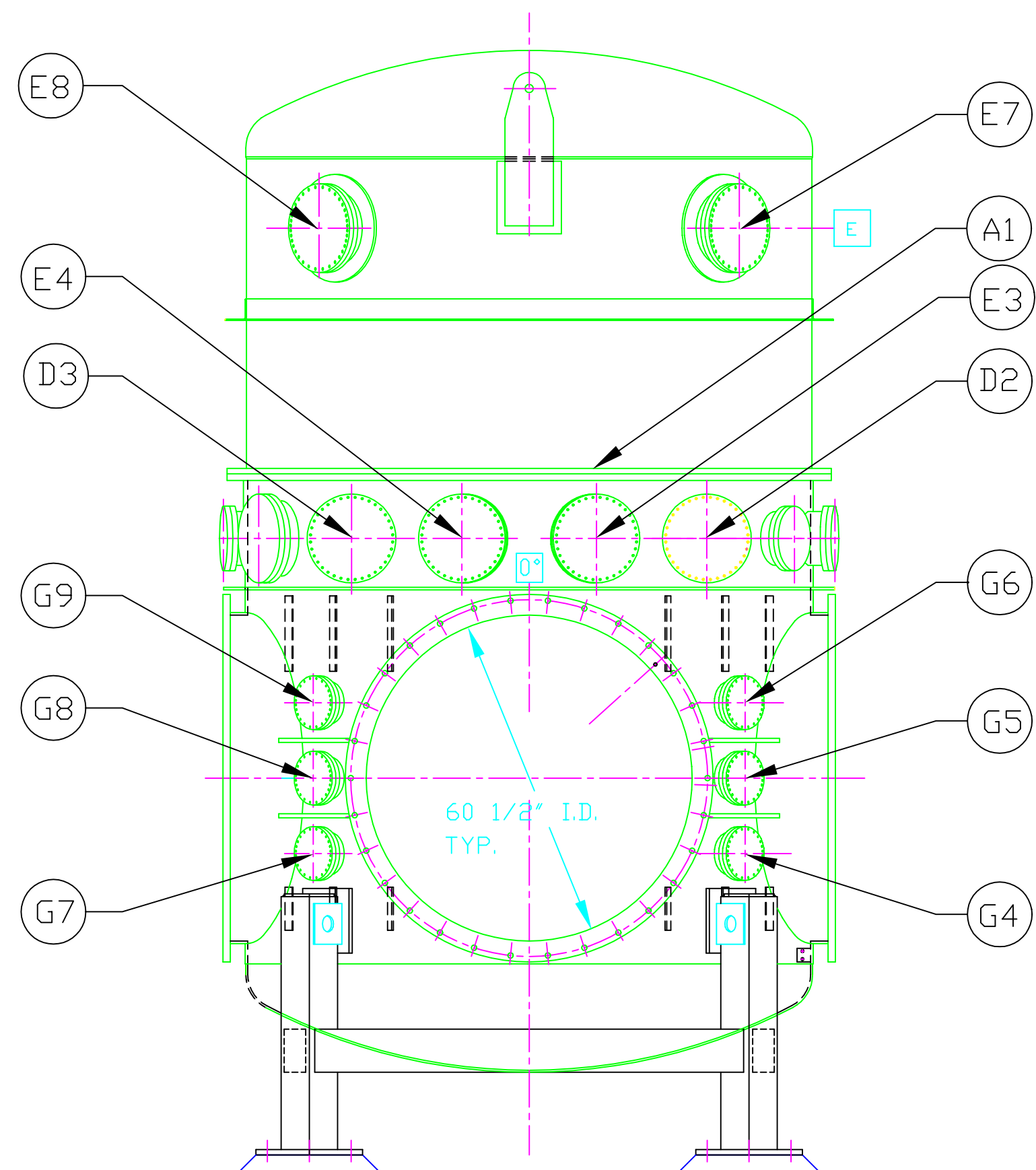
SECTION A-A



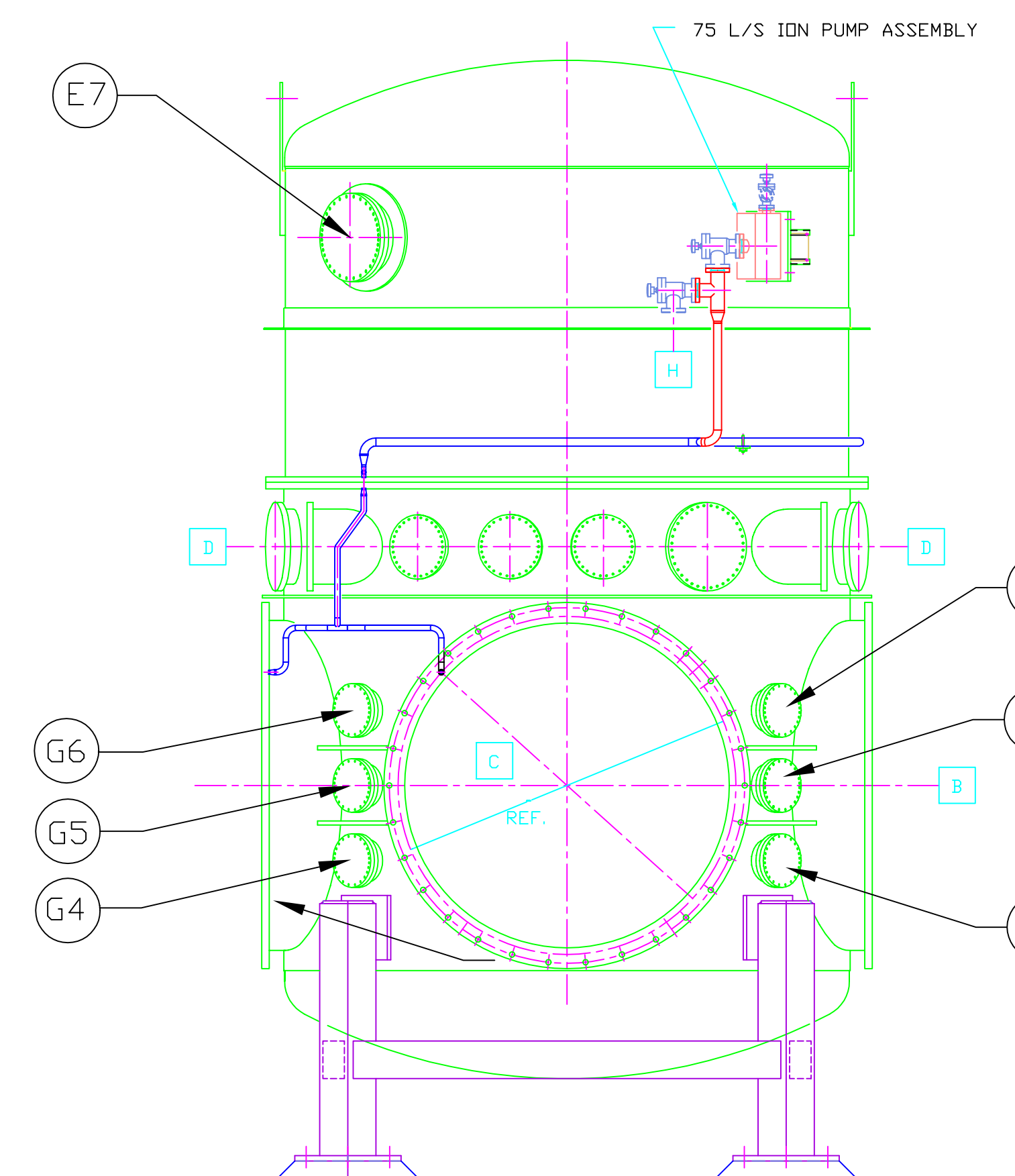
NAMING CONVENTION DEFINITION  
NUMBER PORTS BY TYPE (IN NOZZLE SCHEDULE)  
CLOCKWISE FROM DATUM, BOTTOM TO TOP



ELEVATION 270° SIDE



ELEVATION 180° SIDE



ELEVATION 90° SIDE

DVG. NO.		DESCRIPTION		DVG. NO.		REFERENCE DRAWINGS		UNLESS OTHERWISE SPECIFIED DIMENSIONS ARE IN FEET (in)		TOLERANCES: FRACTIONAL: ANGULAR/RADIUS & BEND: TWO PLACE DECIMAL THREE PLACE DECIMAL FINISHED SURFACE RING BREAK CORNERS 3/16" DIA. REMOVE ALL BURRS		DO NOT SCALE THIS DRAWING		00		PRE-RELEASE		DESCRIPTION		DCN NUMBER		CHECK		DRWN		DATE		SCALE		NTS		SHEET		1 OF 1	

LIGO CALIFORNIA INSTITUTE OF TECHNOLOGY  
MASSACHUSETTS INSTITUTE OF TECHNOLOGY

NAMING CONVENTIONS  
BSC PORTS

CAD FILE: D980227-00.dwg  
DATE: 4-15-98  
SCALE: NTS  
SHEET: 1 OF 1