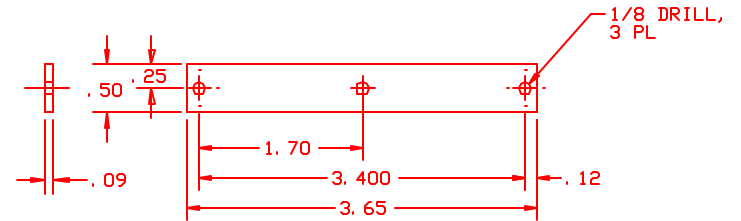
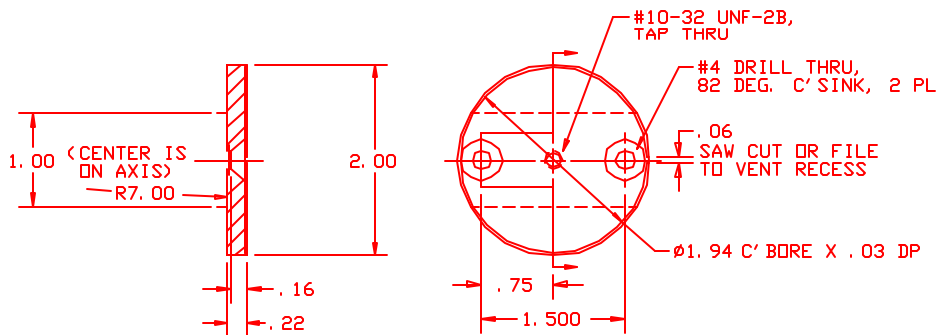


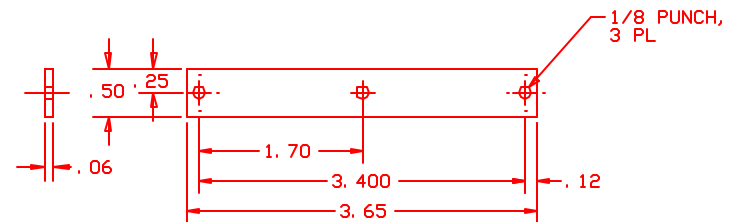
BASE  
MAT'L: 6061-T6 ALUMINUM



BAR  
MAT'L: 6061-T6 ALUMINUM



ADAPTER  
MAT'L: 6061-T6 ALUMINUM



LINER  
MAT'L: VITON ELASTOMER  
(HIGH GRADE)

RIBBON CABLE CLAMP  
LIGO D980235-00-D  
L. JONES 5/5/98