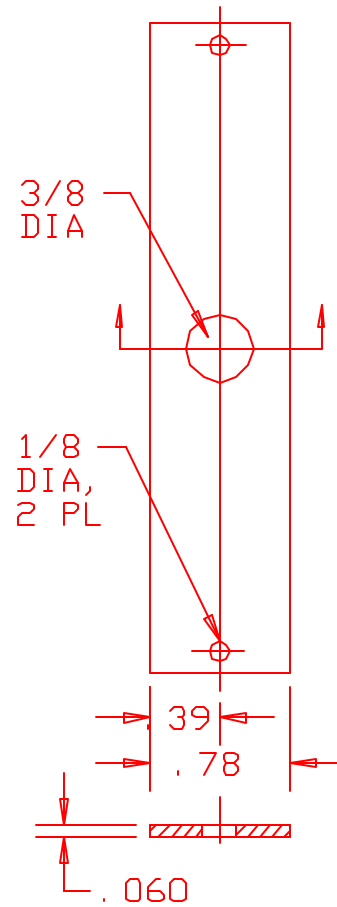
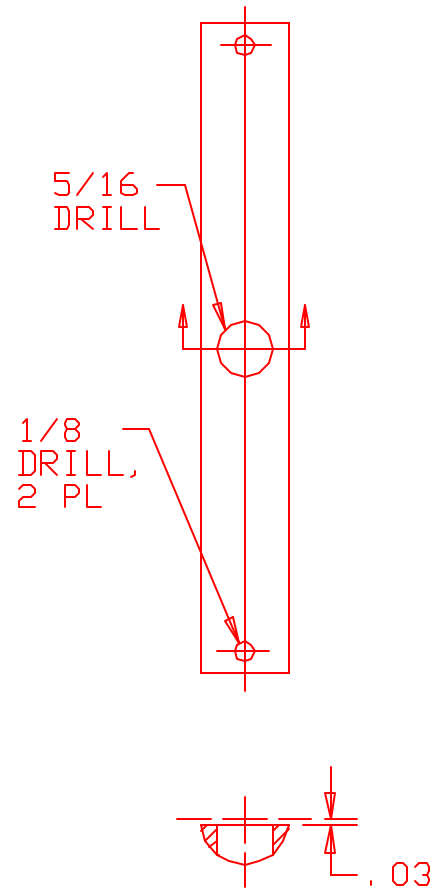


NOTES: UNLESS OTHERWISE SPECIFIED:
1. BREAK ALL SHARP EDGES.

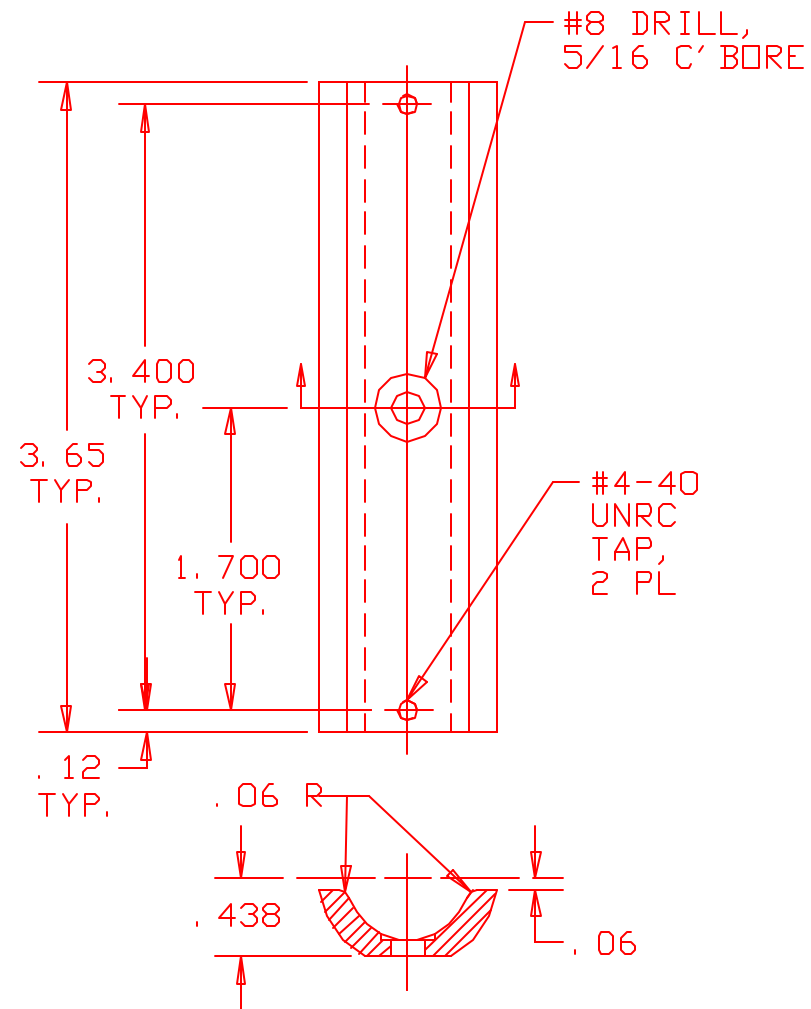
| REV | DATE | DRAWN BY | CHECKED | DCC | DCN/DESCRIPTION |
|-----|---------|----------|---------|-----|-----------------------------|
| A | 8/3/98 | L. Jones | | | E980208-A-D/INITIAL RELEASE |
| B | 6/27/02 | L. Jones | | | CORRECTED PAGE QTY. |



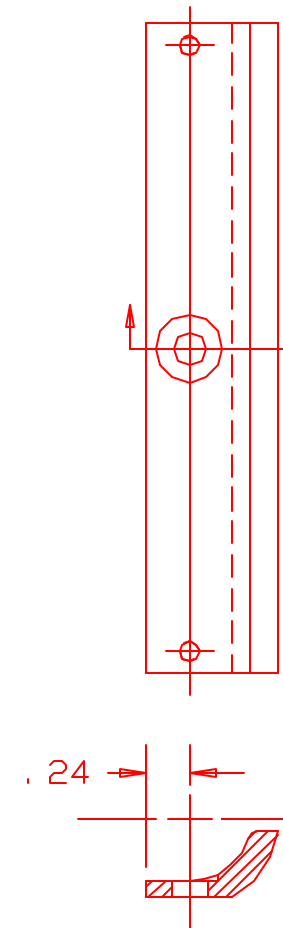
-1 LINER: MAKE FROM
FLOUREL ELASTOMER
PER LIGO SPEC.
E970130



-2 BAR: MAKE FROM
0.50" OD ROD,
6061-T6 ALUMINUM



-3 BASE: MAKE FROM
1.000" OD TUBING
X 0.156" WALL,
2024-T3 ALUMINUM



-4 HALF BASE:
MAKE FROM BASE

| | | | | | |
|--|----------|---|-------------|---|----------------|
| DRWN | L. JONES | DATE | 8/3/98 | CALIFORNIA INSTITUTE OF TECHNOLOGY MASSACHUSETTS INSTITUTE OF TECHNOLOGY | LIGO PROJECT |
| CHKD | | I-Deas CAD File: D980237_B.dwg plc File: D980237-B.pdf | | | |
| ENGR | | TITLE | | | |
| APPD | | STACK CLAMP COMPONENTS | | | |
| UNLESS OTHERWISE SPECIFIED: DIMENSION UNITS ARE: inch (mm) TOLERANCES ARE: X.XXX: ± 0.010 X.XX: ± 0.030 ANGLES: 10.5° | | SCALE: | 1/1 | SIZE | DRAWING NUMBER |
| NEXT ASSEMBLY: | | B | D980237-B-D | SHEET | 1 OF 1 |