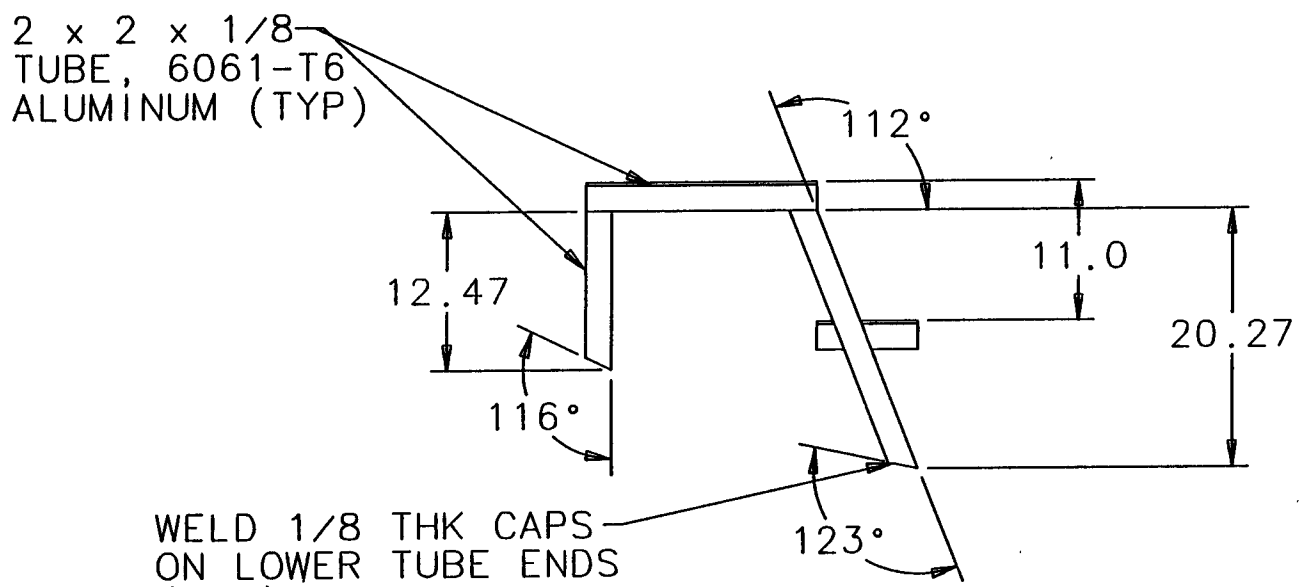
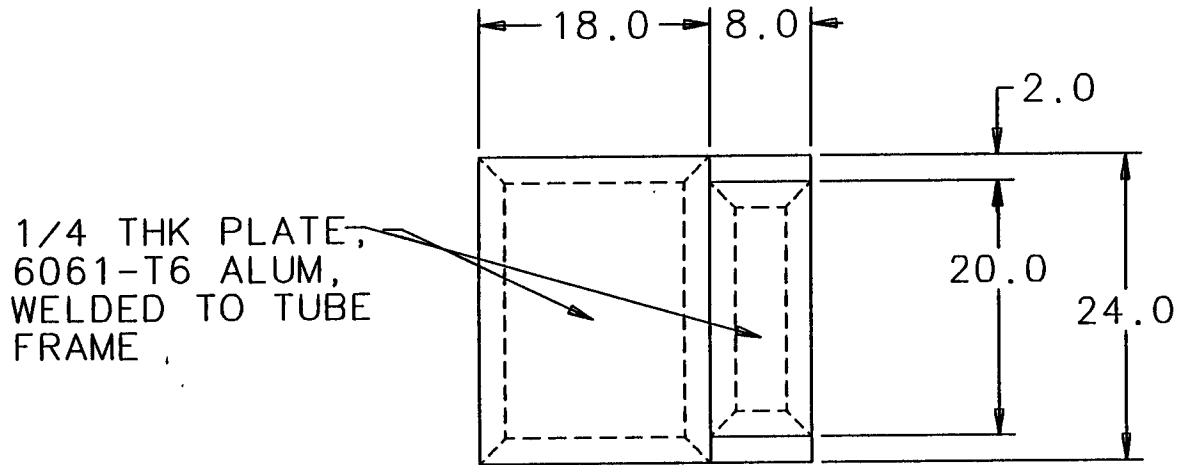


DCC



ALL LINEAR DIMENSIONS  
ARE IN INCHES

TOLERANCES:  
X.X: +/- .10  
X.XX: +/- .03  
ANGLES: +/- .5

BSC STOOL  
LIGO PROJECT  
D980241-00-D  
L. JONES 12/22/98