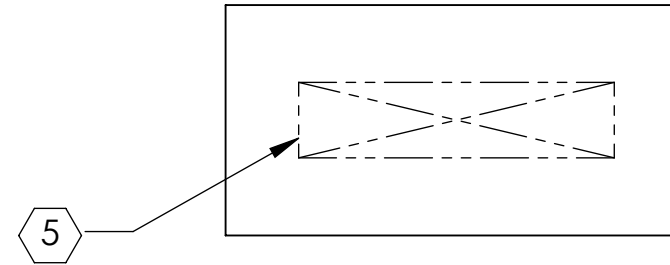
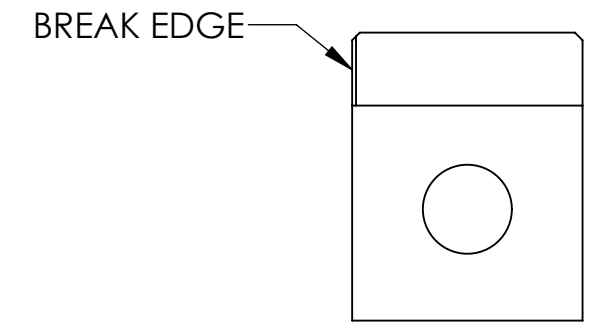
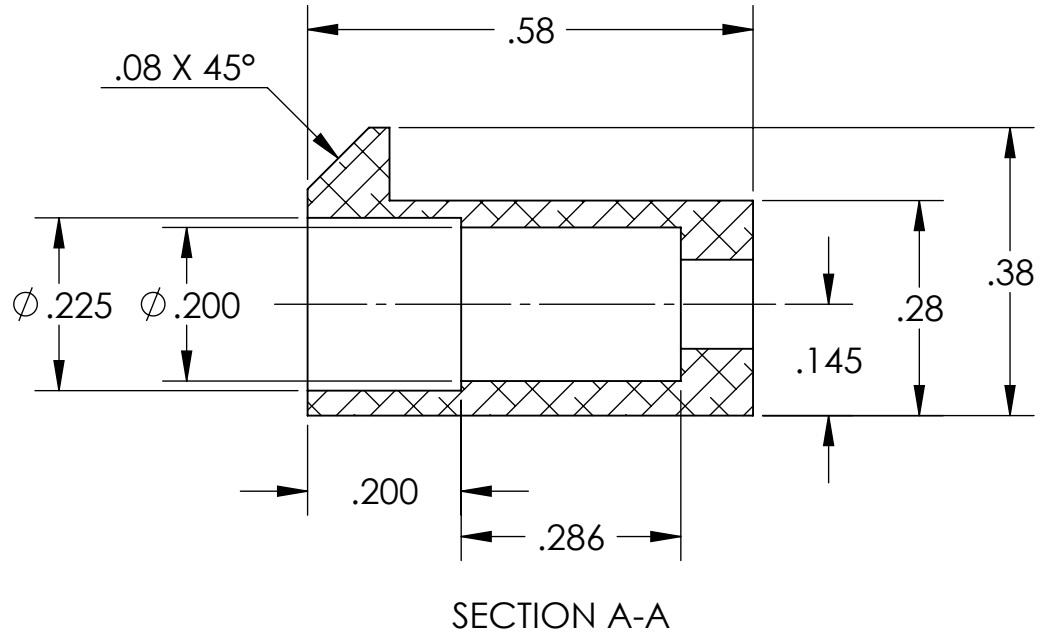
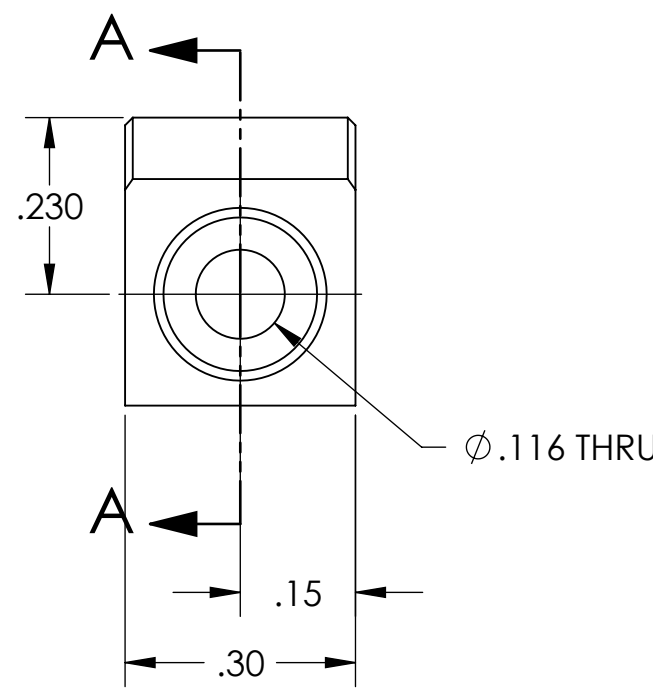
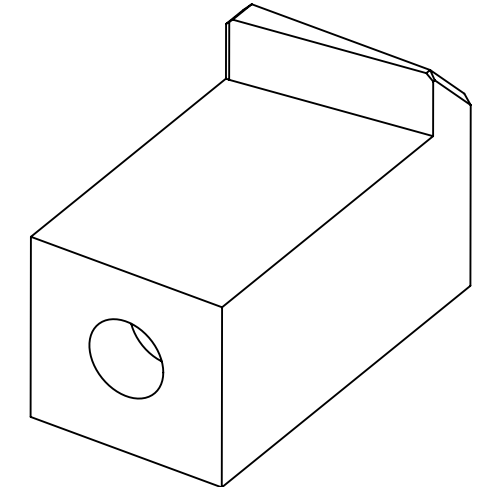
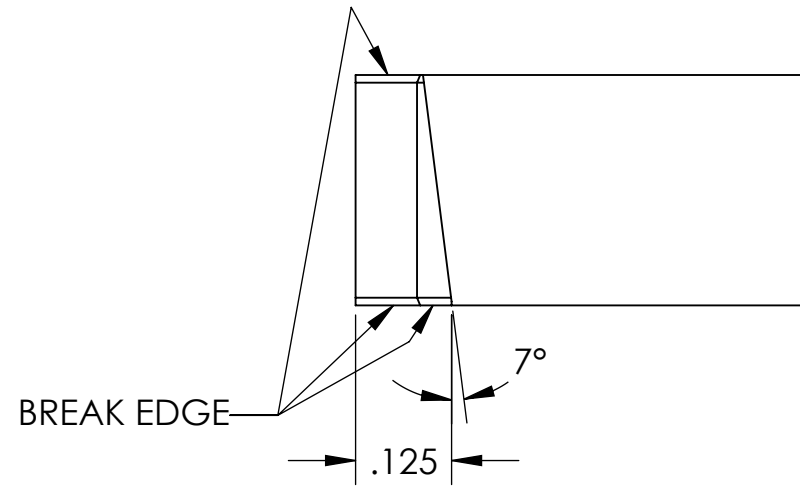


D1002407 aLIGO TMS FLEXIBLE SEC. MIRROR CLAMP LT., PART PDM REV: X-005, DRAWING PDM REV: X-003

- NOTES CONTINUED:**
- 5. SCRIBE, ENGRAVE, OR MECHANICALLY STAMP (NO DYES OR INKS) A UNIQUE THREE DIGIT SERIAL NUMBER & REVISION NUMBER ON EACH PART. SERIAL NUMBERS START AT 001 FOR THE FIRST ARTICLE AND PROCEED CONSECUTIVELY. BAG AND TAG PARTS WITH THEIR DRAWING PART NUMBER, REVISION, VARIANT OR "TYPE" (IF APPLICABLE), AND QUANTITY. IF PARTS ARE TOO SMALL TO SCRIBE, BAGGING AND TAGGING ALONE IS SUFFICIENT.
EXAMPLE (PART): 001-v1
EXAMPLE (TAG): DXXXXXX-VY, TYPE-XX, QTY: TBD
 - 6. APPROXIMATE WEIGHT = 0 LB [1 G].
 - 7. MACHINE ALL SURFACES TO REMOVE OXIDES AND MILL FINISH. USE OF ABRASIVE REMOVAL TECHNIQUES IS NOT ALLOWED.
 - 8. ALL PARTS SHALL BE MANUFACTURED IN ACCORDANCE WITH LIGO SPECIFICATION E0900364.
 - 9. ALL MATERIAL IS TO BE VIRGIN MATERIAL (i.e. NOT WELD REPAIRS OR PLUGS UNLESS APPROVED IN ADVANCE IN WRITING BY LIGO. REFER TO LIGO-E0900364.
 - 10. NO REPAIRS SHALL BE MADE UNLESS APPROVED IN ADVANCE, AND IN WRITING, BY LIGO LABORATORY. IN GENERAL WELD REPAIRS AND PRESS FIT INSERT REPAIRS ARE NEVER ACCEPTABLE; THE MATERIAL SHOULD BE MADE WITH VIRGIN MATERIAL. SPECIAL CIRCUMSTANCES CAN BE REVIEWED IF / WHEN BROUGHT TO THE ATTENTION OF LIGO CONTRACTING OFFICER'S REPRESENTATIVE (COTR) THROUGH A MATERIAL REVIEW BOARD (MRB) PROCESS. REFER TO LIGO-E0900364.

REV.	DATE	DCN #	DRAWING TREE #
v1	09/13/2010	E1000383	-
-	-	-	-
-	-	-	-



NOTES AND TOLERANCES: (UNLESS OTHERWISE SPECIFIED)				LIGO CALIFORNIA INSTITUTE OF TECHNOLOGY MASSACHUSETTS INSTITUTE OF TECHNOLOGY		PART NAME	
DIMENSIONS ARE IN INCHES				SYSTEM		SUB-SYSTEM	
TOLERANCES: .XX ± .01 .XXX ± .005				LIGO		AOS	
ANGULAR ± 1.0°				MATERIAL		DESIGNER	
				6061-T6 Al		K. MAILAND	
				FINISH		DATE	
				63 μinch Ra		08/15/2010	
				NEXT ASSY		DRAFTER	
				D1002210		M. MILLER	
						CHECKER	
						APPROVAL	
						SIZE DWG. NO.	
						B	
						D1002407	
						REV.	
						v1	
						SCALE: 4:1 PROJECTION:	
						SHEET 1 OF 1	

8 7 6 5 4 3 2 1

D C B A

D C B A

8 7 6 5 4 3 2 1