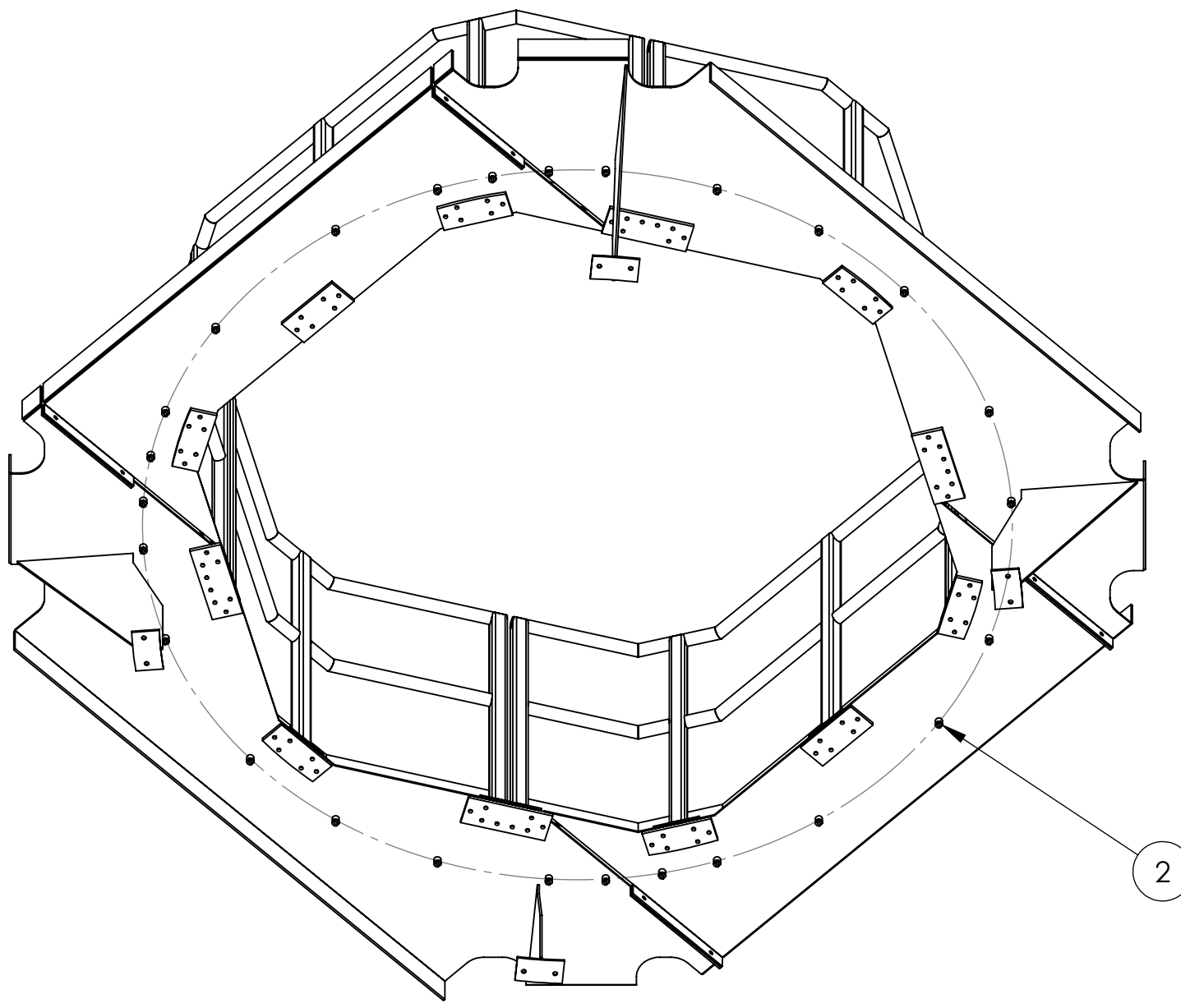
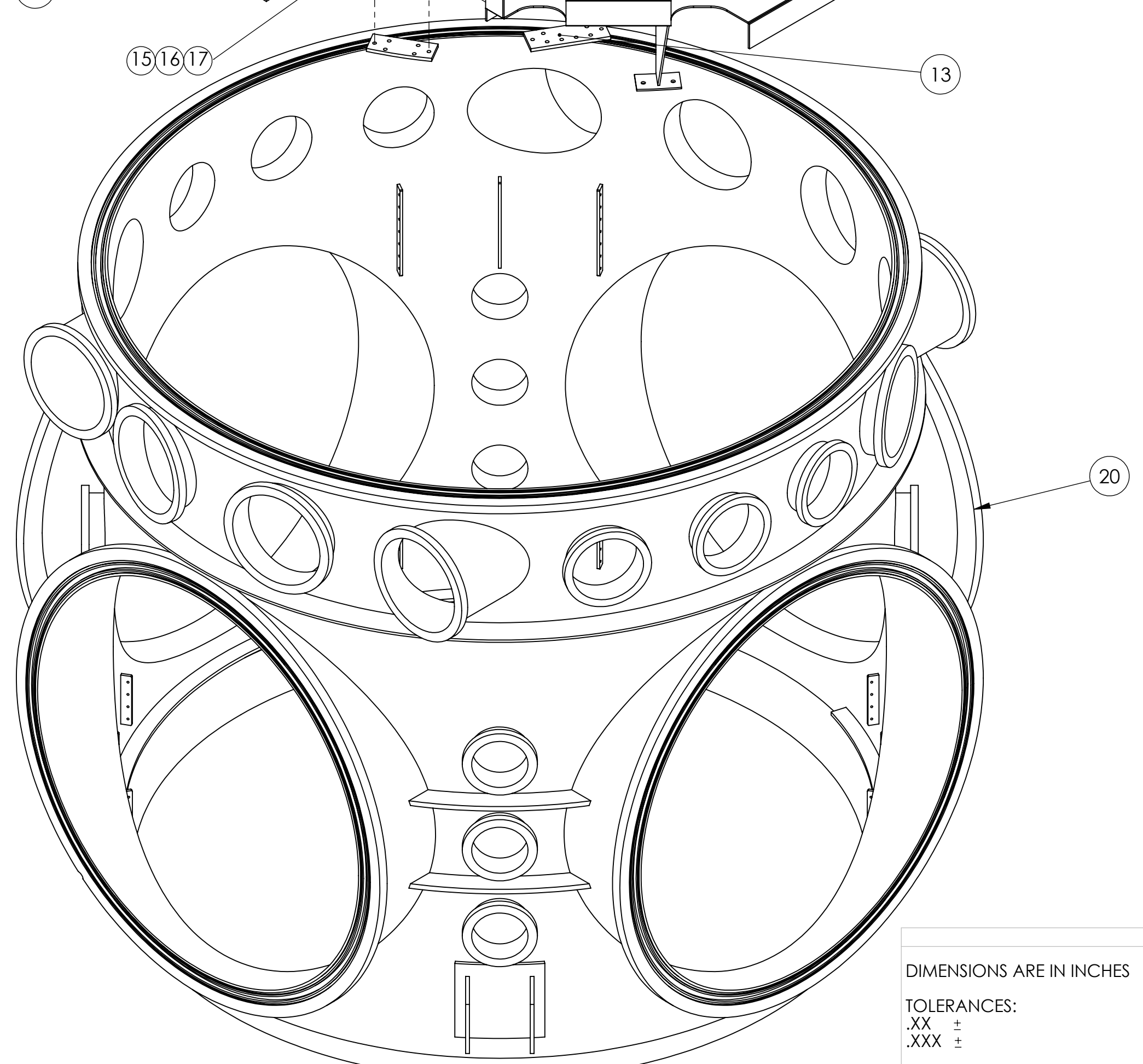
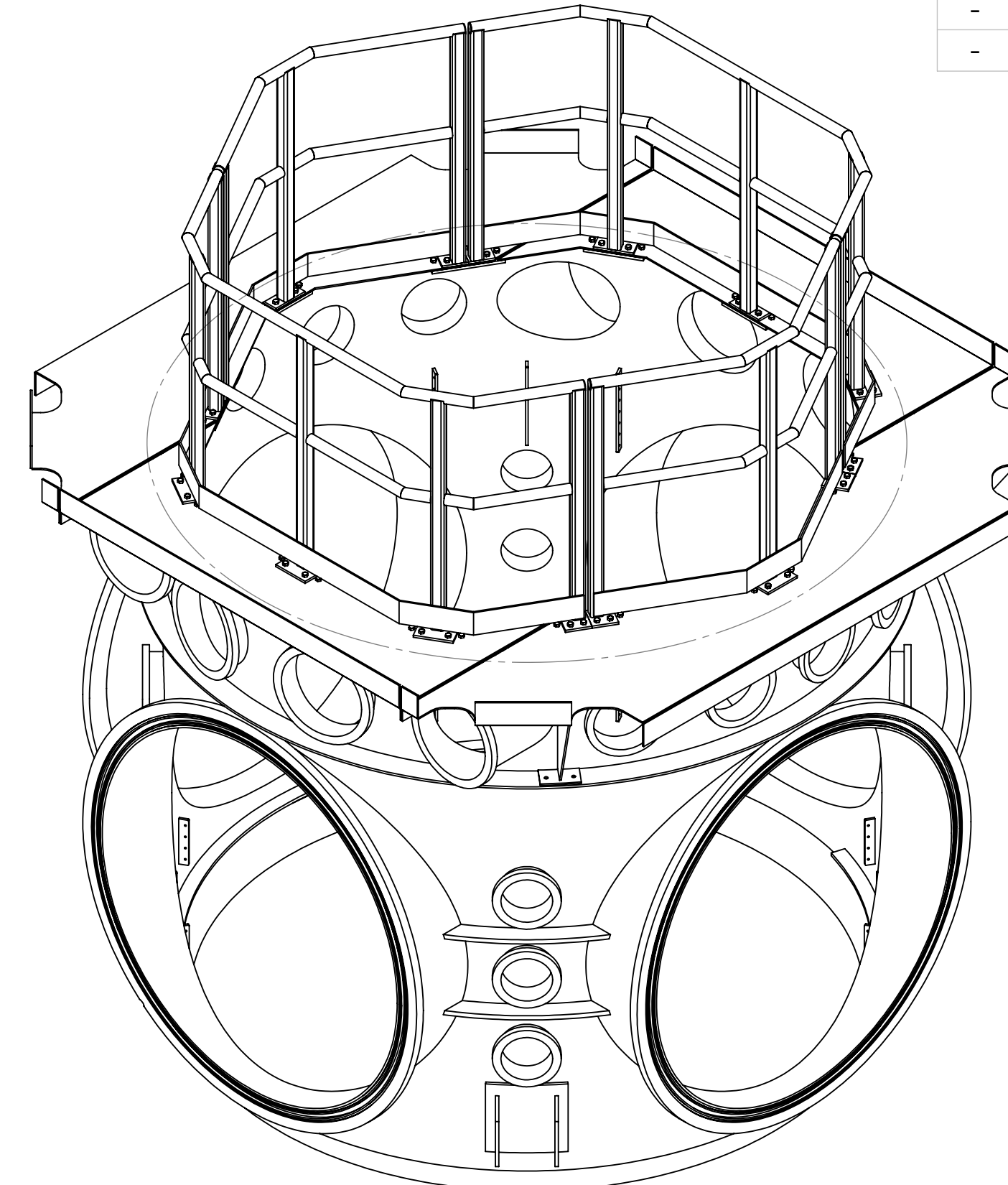
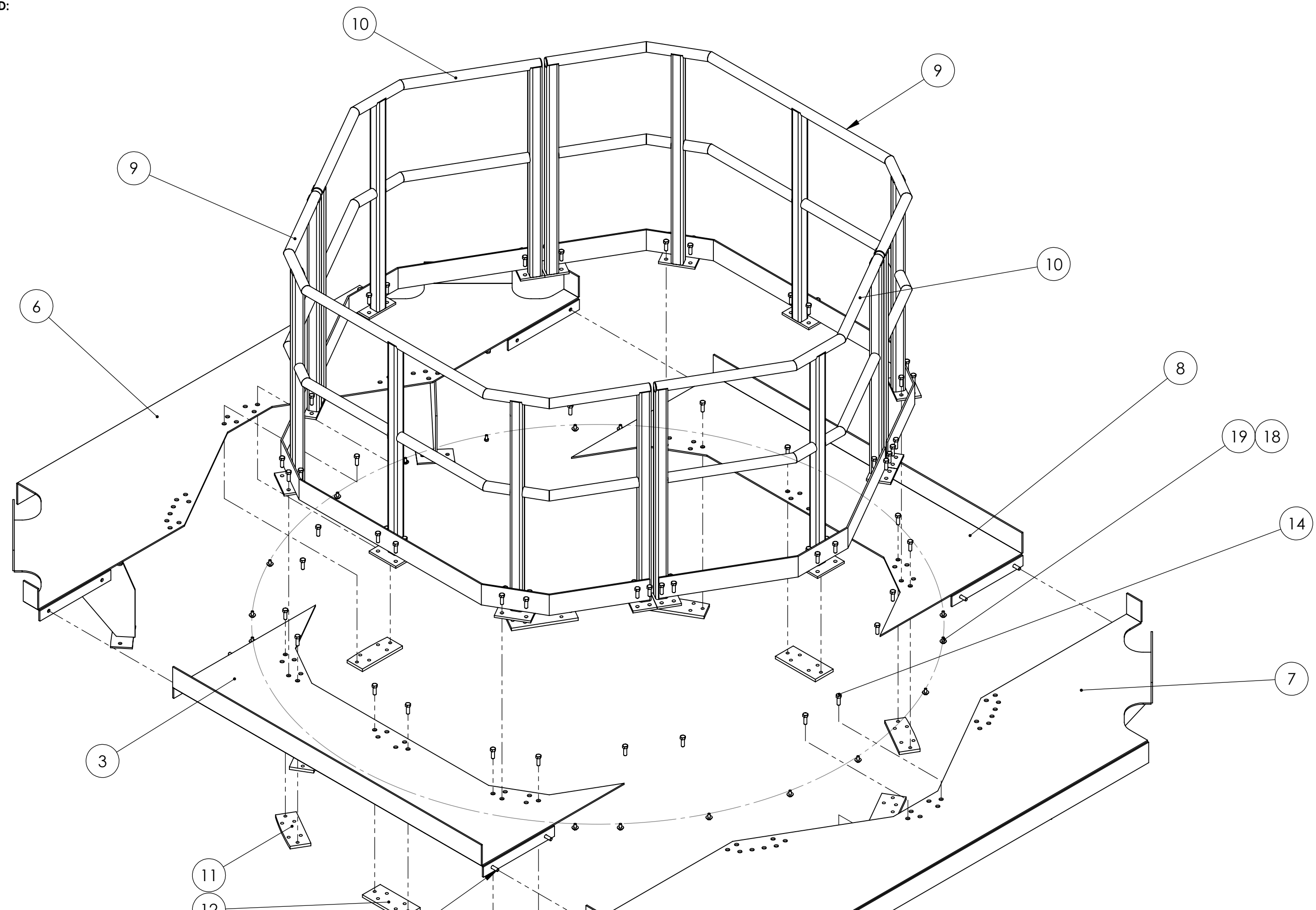


NOTES CONTINUED:
5

REV.	DATE	DCN #	DRAWING TREE #
-	-	-	-
-	-	-	-
-	-	-	-



ITEM NO.	PART NUMBER	DESCRIPTION	MATERIAL	REQ	SPARE	TOTAL
20	D060139	BSC Lower Shell ICD	304 SSSL	1		1
19		HHS 3/8"-24 x 3/4"	18-8 SSSL	28		28
18		Flat Washer, ID .406" OD 1"	18-8 SSSL	28		28
17		Nut, Hex, 1/2"-13	18-8 SSSL	8		8
16		Flat Washer, ID .531" OD 1-1/4"	18-8 SSSL	8		8
15		HHS 1/2"-13 x 1-1/2"	18-8 SSSL	1		1
14		HHS 1/2"-13 x 1-1/4"	18-8 SSSL	87		87
13		Screw Pads, Handrails, 8 hole	Material <not specified>	4		4
12		Screw Pad (more) handrail, 6 hole	Material <not specified>	2		2
11		Screw Pads, Handrails, 6 hole	Material <not specified>	6		6
10		Handrail B&C	6061-T6 Al	2		2
9		Handrail A&D	6061-T6 Al	2		2
8		Walking plate D	Material <not specified>	1		1
7		Walking Plate C	6061-T6 Al	1		1
6		Walking Plate B	6061-T6 Al	1		1
3		Walking Plate A	6061-T6 Al	1		1
2		Screw Insert	18-8 SSSL	28		28

PARTS LIST

DIMENSIONS ARE IN INCHES	
TOLERANCES: .XX ± .XXX ±	
ANGULAR ± °	
NOTES AND TOLERANCES: (UNLESS OTHERWISE SPECIFIED)	NEXT ASSY
D1002834, D1002843, D1002847, D1001797, D1002843, D1002400	
MATERIAL	FINISH
N/A	N/A μinch

LIGO CALIFORNIA INSTITUTE OF TECHNOLOGY
MASSACHUSETTS INSTITUTE OF TECHNOLOGY

SYSTEM: ADVANCED LIGO SUB-SYSTEM

PART NAME: Walking Plates, BSC Chamber, Top, aLIGO

DESIGNER	Apollo Inc	June 2011	SIZE	DWG. NO.	REV.
DRAFTER	SBARNUM	16 June 2011	D	D1002410	v2
CHECKER	HRADKINS		SCALE: 1:20	PROJECTION:	SHEET 1 OF 1
APPROVAL					

D1002410 Walking Plates, BSC Chamber, Top, aLIGO, PART PDM REV: X-000, DRAWING PDM REV: X-000