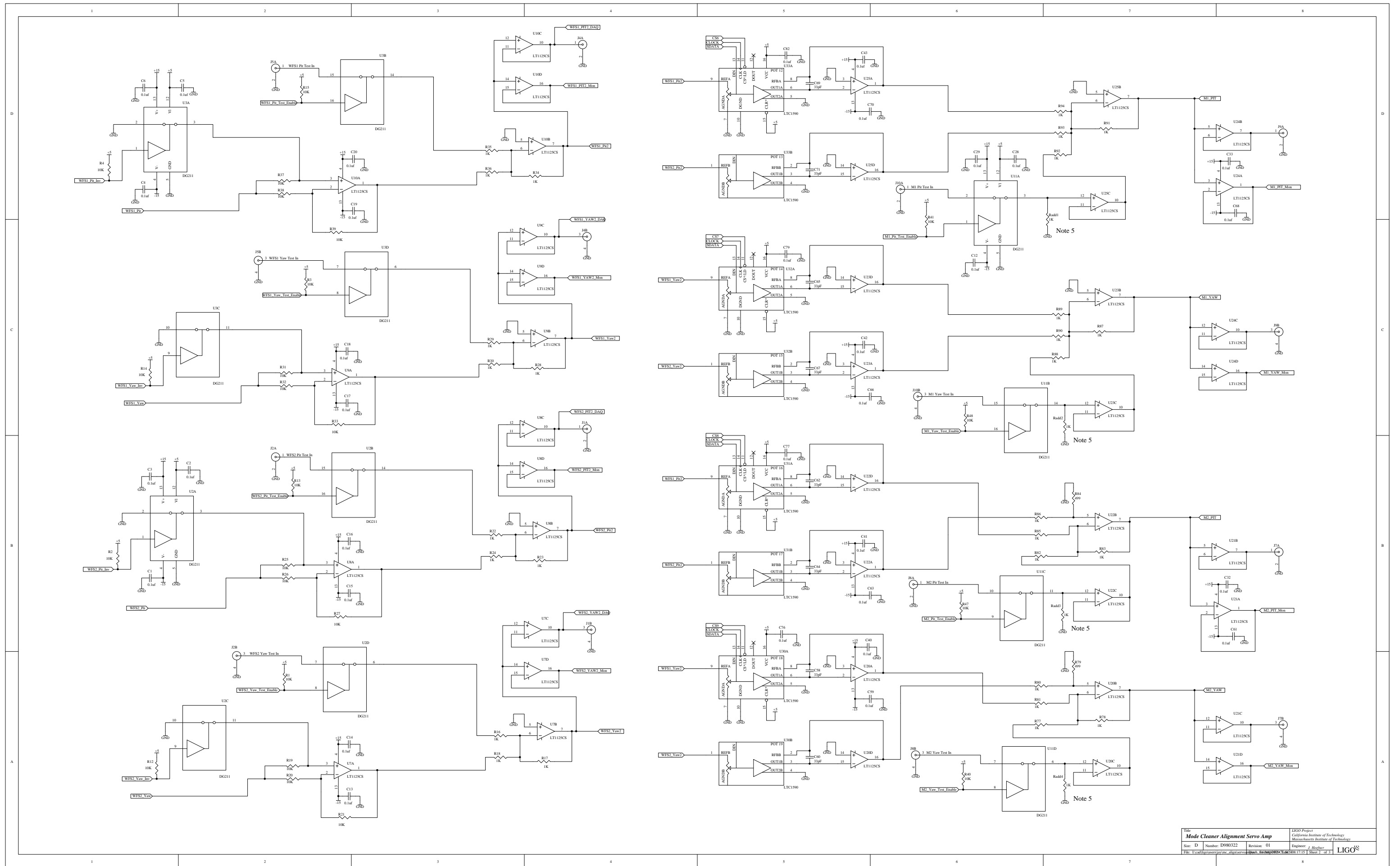
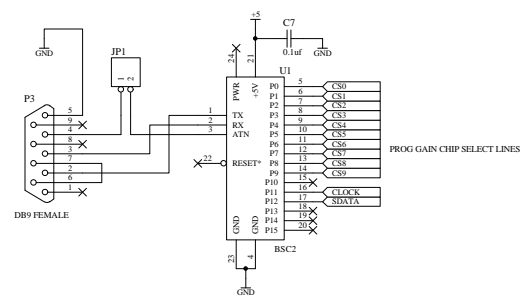
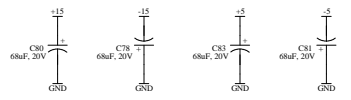
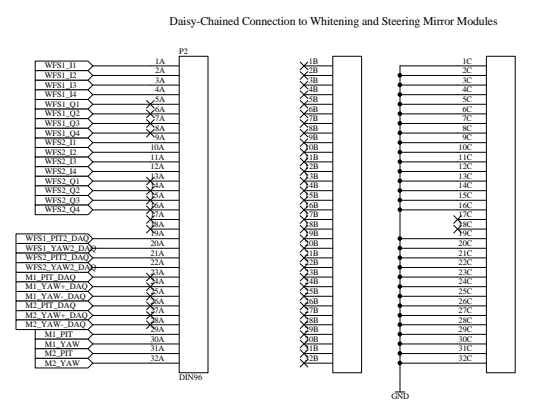
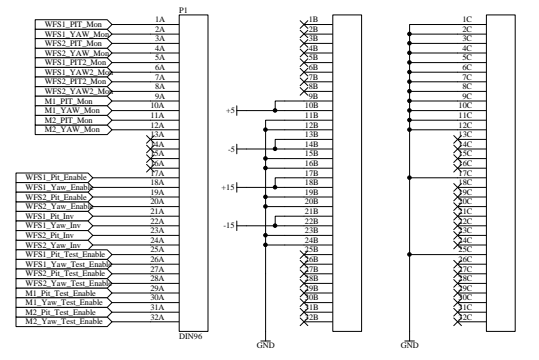


Notes:  
 1. R70 and R75 are removed from original design to correct Pitch calculation.  
 2. R97 rewired on board from original design to correct Yaw calculation. R98 and R68 are removed.  
 3. R56 and R61 are removed from original design to correct Pitch calculation.  
 4. R95 rewired on board from original design to correct Yaw calculation. R96 and R54 are removed.  
 5. Radd1, Radd2, Radd3, Radd4 added to original design as pull downs for U11 switch outputs.





PROG GAIN CHIP SELECT LINES



- MODES-CL  
MODES-CL-SCH
- CS1
  - SDATA
  - CLOCK
  - CS2
  - SDATA
  - CLOCK
  - CS3
  - SDATA
  - CLOCK
  - CS4
  - SDATA
  - CLOCK
  - CS5
  - SDATA
  - CLOCK
  - CS6
  - SDATA
  - CLOCK
  - WFS1\_Pt
  - WFS1\_Yaw
  - WFS2\_Pt
  - WFS2\_Yaw
  - WFS1-I1
  - WFS1-I2
  - WFS1-I3
  - WFS1-I4
  - WFS2-I1
  - WFS2-I2
  - WFS2-I3
  - WFS2-I4
  - WFS1\_Pt\_Enable
  - WFS1\_Yaw\_Enable
  - WFS2\_Pt\_Enable
  - WFS2\_Yaw\_Enable

- MODES-CL  
MODES-CL-SCH
- CS7
  - SDATA
  - CLOCK
  - CS8
  - SDATA
  - CLOCK
  - CS9
  - SDATA
  - CLOCK
  - CS10
  - SDATA
  - CLOCK
  - M1\_Pitch
  - M1\_Yaw
  - M2\_Pitch
  - M2\_Yaw
  - WFS1\_Pitch
  - WFS2\_Pitch
  - WFS1\_Yaw
  - WFS2\_Yaw
  - WFS1\_Pitch
  - WFS2\_Pitch
  - WFS1\_Yaw
  - WFS2\_Yaw
  - WFS1\_Pt\_Inv
  - WFS1\_Pt
  - WFS1\_Pt\_Test\_Enable
  - WFS1\_Pitch
  - WFS1\_Pitch\_Inv
  - WFS1\_Pt
  - WFS1\_Yaw\_Test\_Enable
  - WFS1\_Yaw
  - WFS1\_Pt\_Inv
  - WFS1\_Pt
  - WFS2\_Pt\_Test\_Enable
  - WFS2\_Pitch
  - WFS1\_Pt\_Inv
  - WFS1\_Pt
  - WFS2\_Yaw\_Test\_Enable
  - WFS2\_Yaw
  - M1\_Pt\_Test\_Enable
  - M1\_Yaw\_Test\_Enable
  - M2\_Pt\_Test\_Enable
  - M2\_Yaw\_Test\_Enable

- MODES-CL  
MODES-CL-SCH
- WFS1-I1
  - WFS1-I1\_Min
  - WFS1-I2
  - WFS1-I2\_Min
  - WFS1-I3
  - WFS1-I3\_Min
  - WFS1-I4
  - WFS1-I4\_Min
  - WFS1-Q1
  - WFS1-Q1\_Min
  - WFS1-Q2
  - WFS1-Q2\_Min
  - WFS1-Q3
  - WFS1-Q3\_Min
  - WFS1-Q4
  - WFS1-Q4\_Min
  - WFS2-I1
  - WFS2-I1\_Min
  - WFS2-I2
  - WFS2-I2\_Min
  - WFS2-I3
  - WFS2-I3\_Min
  - WFS2-I4
  - WFS2-I4\_Min
  - WFS2-Q1
  - WFS2-Q1\_Min
  - WFS2-Q2
  - WFS2-Q2\_Min
  - WFS2-Q3
  - WFS2-Q3\_Min
  - WFS2-Q4
  - WFS2-Q4\_Min

