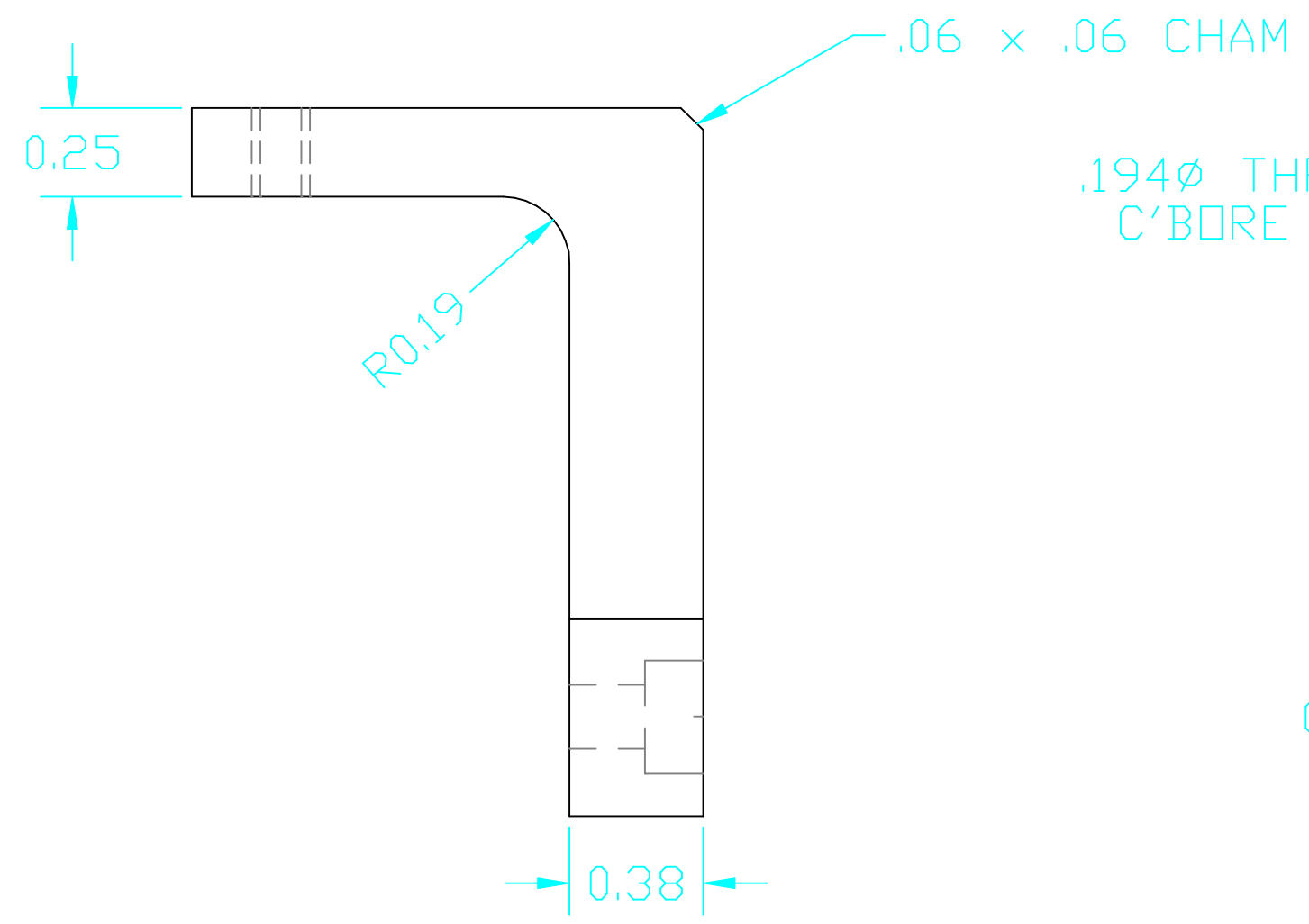
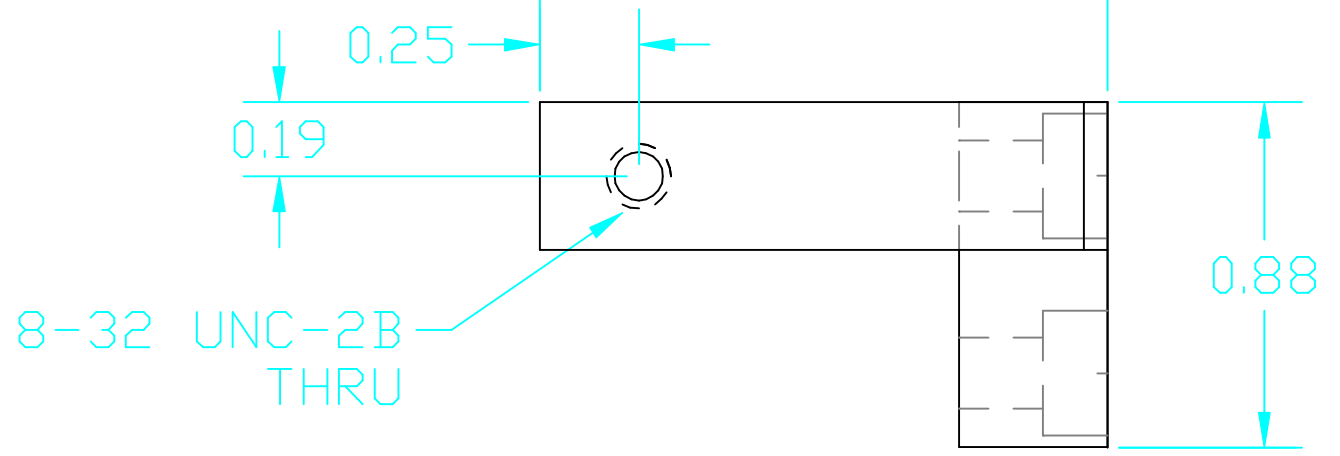
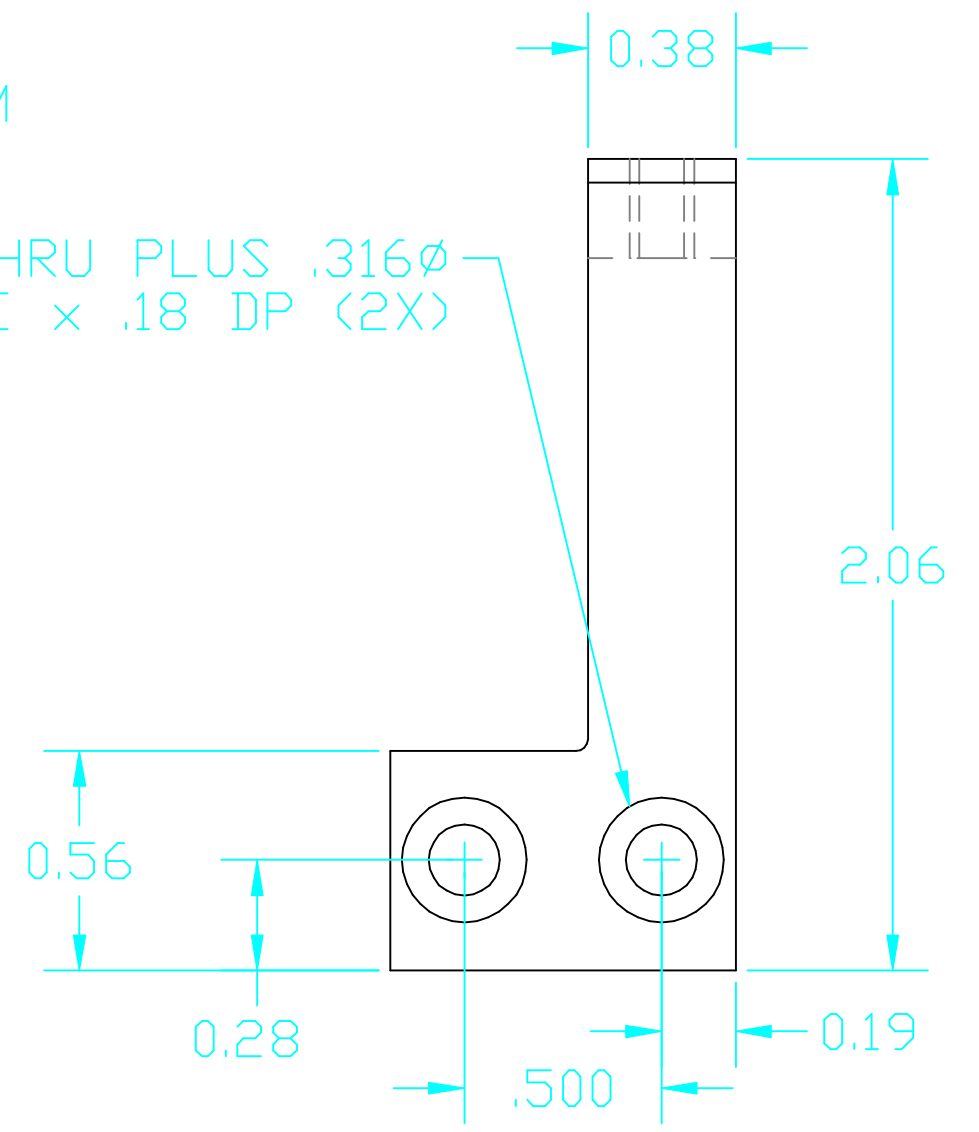


6 5 4 3 2 1

1. CLEAR ANODIZE PER MIL-A-8625



.194Ø THRU PLUS .316Ø C'BORE x .18 DP (2X)



		UNLESS OTHERWISE SPECIFIED DIMENSIONS ARE IN INCHES												CALIFORNIA INSTITUTE OF TECHNOLOGY MASSACHUSETTS INSTITUTE OF TECHNOLOGY								
		TOLERANCES: FRACTIONAL ± 1/16(.16) ANGULAR ± 1° TWO PLACE DECIMAL ± .01(.025) THREE PLACE DECIMAL ± .005(.013)		FINISHED SURFACE RMS 63 BREAK CORNERS IN: .02 REMOVE ALL BURRS												CLAMP GLAN - BREWSTER POLARIZER ISC TABLE ASSEMBLY						
		MATERIAL: 6061-T6 ALUM.	HEAT TREAT: -	FINISH: -	A	INITIAL RELEASE											MASON	3/00				
		USED ON: D980327-A-D	NEXT ASS'Y: -	00	PRE-RELEASE											K.MASON	8/31/98					
DWG. NO.		DESCRIPTION		REV	DESCRIPTION	DCC	SYS	DET	CDS	VE	CC	BT	CHECK	DRWN	DATE	CAD FILE	SCALE	SIZE	DWG. NO.	SHEET		
6		REFERENCE DRAWINGS		5	4	ISSUE DESCRIPTION										2	1	D980344-A-D.dwg	2:1	B	D980344-A-D	1 OF 1