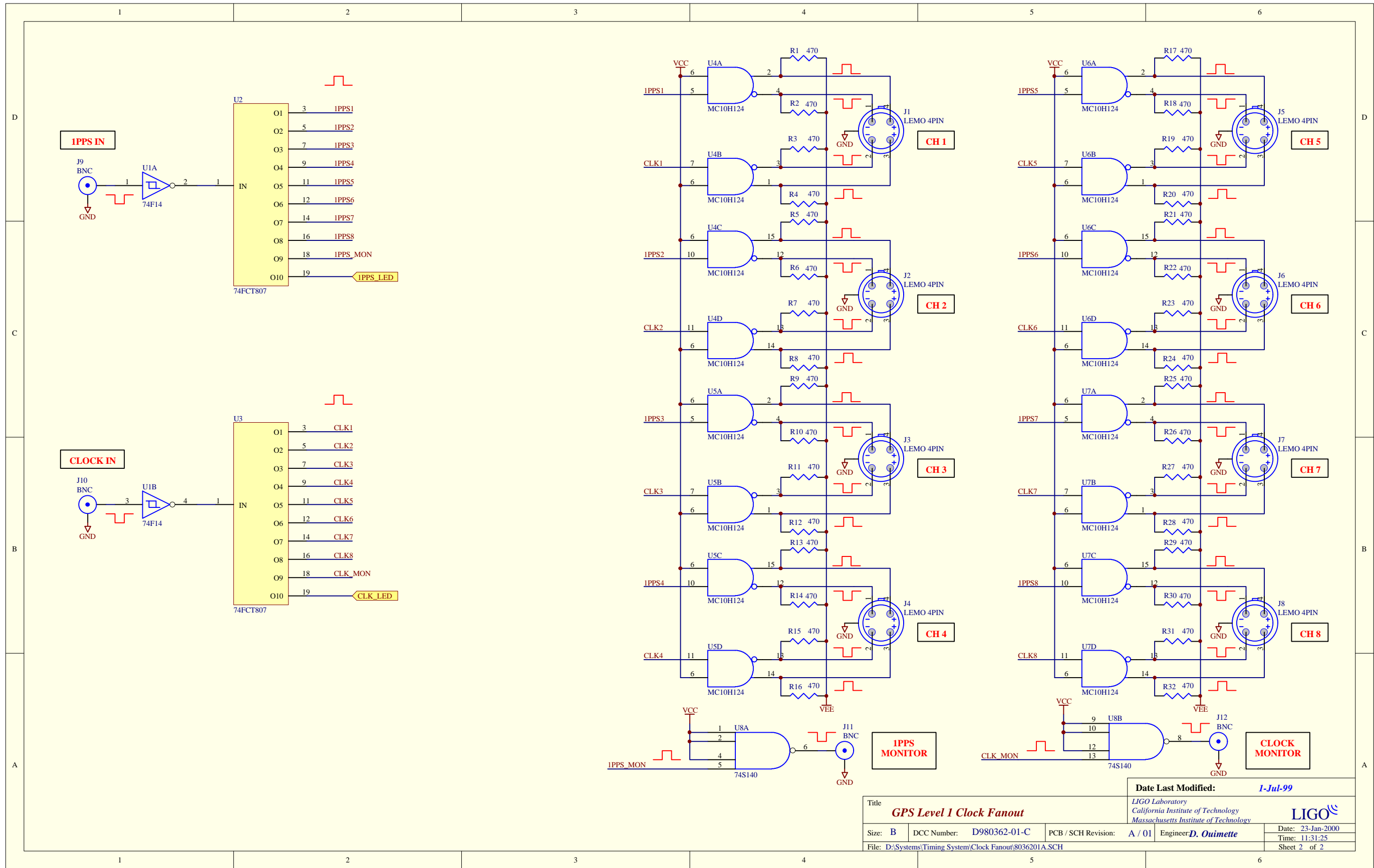


Title		Date Last Modified: 1-Jul-99	
GPS Level 1 Clock Fanout		LIGO Laboratory California Institute of Technology Massachusetts Institute of Technology	
Size: B	DCC Number: D980362-01-C	PCB / SCH Revision: A / 01	Engineer: D. Ouimette
File: D:\Systems\Timing System\Clock Fanout\8036200a.prj		Date: 23-Jan-2000	Time: 11:30:54
		Sheet 1 of 2	



Date Last Modified: 1-Jul-99

Title GPS Level 1 Clock Fanout			LIGO Laboratory California Institute of Technology Massachusetts Institute of Technology		LIGO
Size: B	DCC Number: D980362-01-C	PCB / SCH Revision: A / 01	Engineer: D. Ouimette	Date: 23-Jan-2000	
File: D:\Systems\Timing System\Clock Fanout\8036201A.SCH					Time: 11:31:25
					Sheet 2 of 2