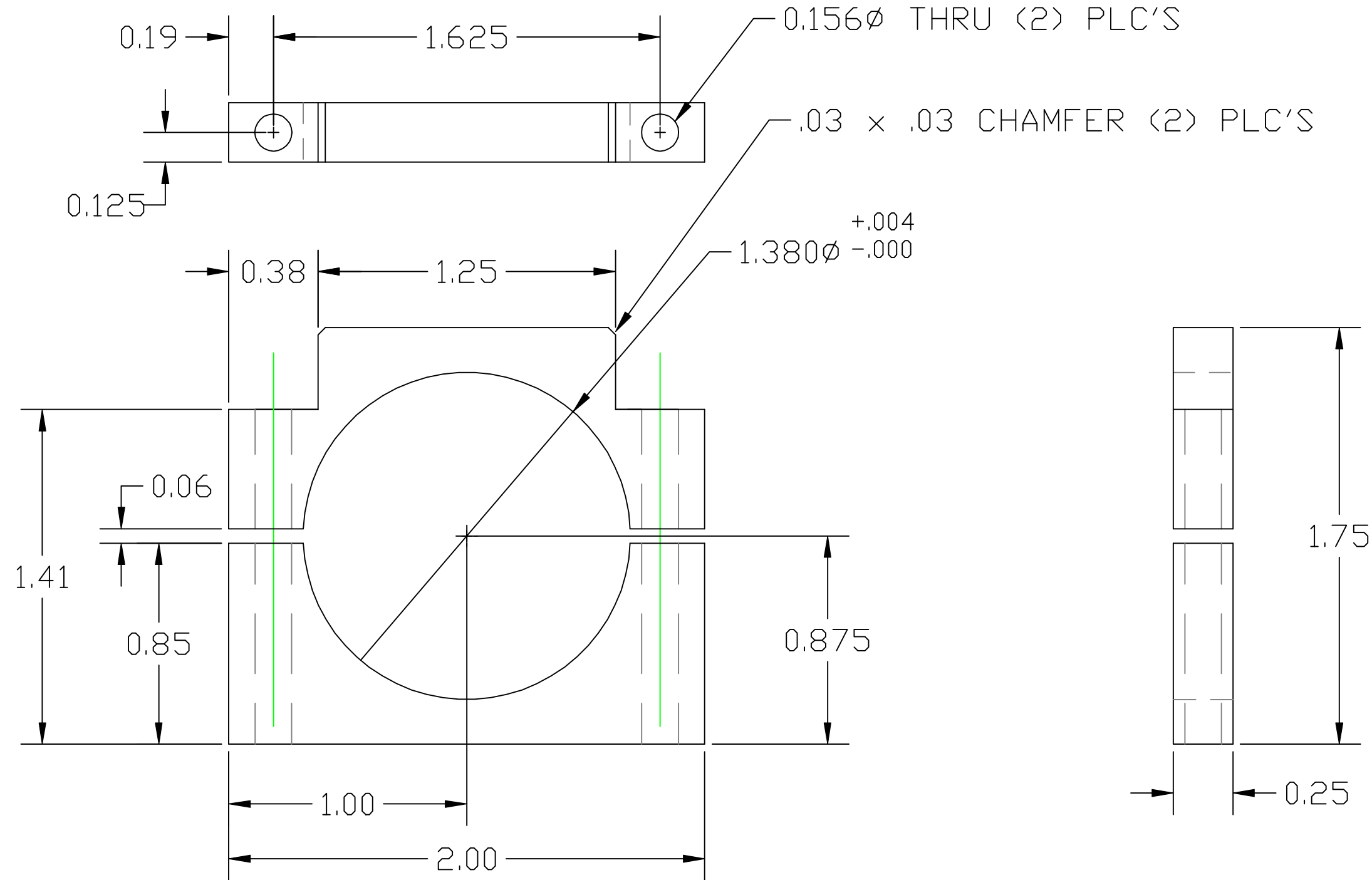


NOTES:

1. CLEAR ANODIZE PER MIL-A-8625



		UNLESS OTHERWISE SPECIFIED DIMENSIONS ARE IN INCHES												MIT CALIFORNIA INSTITUTE OF TECHNOLOGY MASSACHUSETTS INSTITUTE OF TECHNOLOGY																					
		TOLERANCES: FRACTIONAL ±1/16(.16) ANGULAR ± 1° TWO PLACE DECIMAL ±.01(.025) THREE PLACE DECIMAL ±.005(.013)		FINISHED SURFACE RMS 63 BREAK CORNERS IN: OUT: .02 REMOVE ALL BURRS												CLAMP LASER AUTOCOLLIMATOR MOUNT IAS FIELD STATION																			
		MATERIAL: 6061-T6 ALUM.		HEAT TREAT: -		FINISH: SEE NOTE 1		A INITIAL RELEASE		MASON 1/10/00		CAD FILE: D980409-A-D.dwg		SIZE: B DWG. NO. D980409-A																					
DWG. NO.		DESCRIPTION		USED ON: IAS FIELD STATION		NEXT ASS'Y: D980410-00-D		REV		DESCRIPTION		DCC		SYS		DET		CDS		VE		CC		BT		CHECK		DRWN		DATE		SCALE: 2:1		SHEET: 1 OF 1	