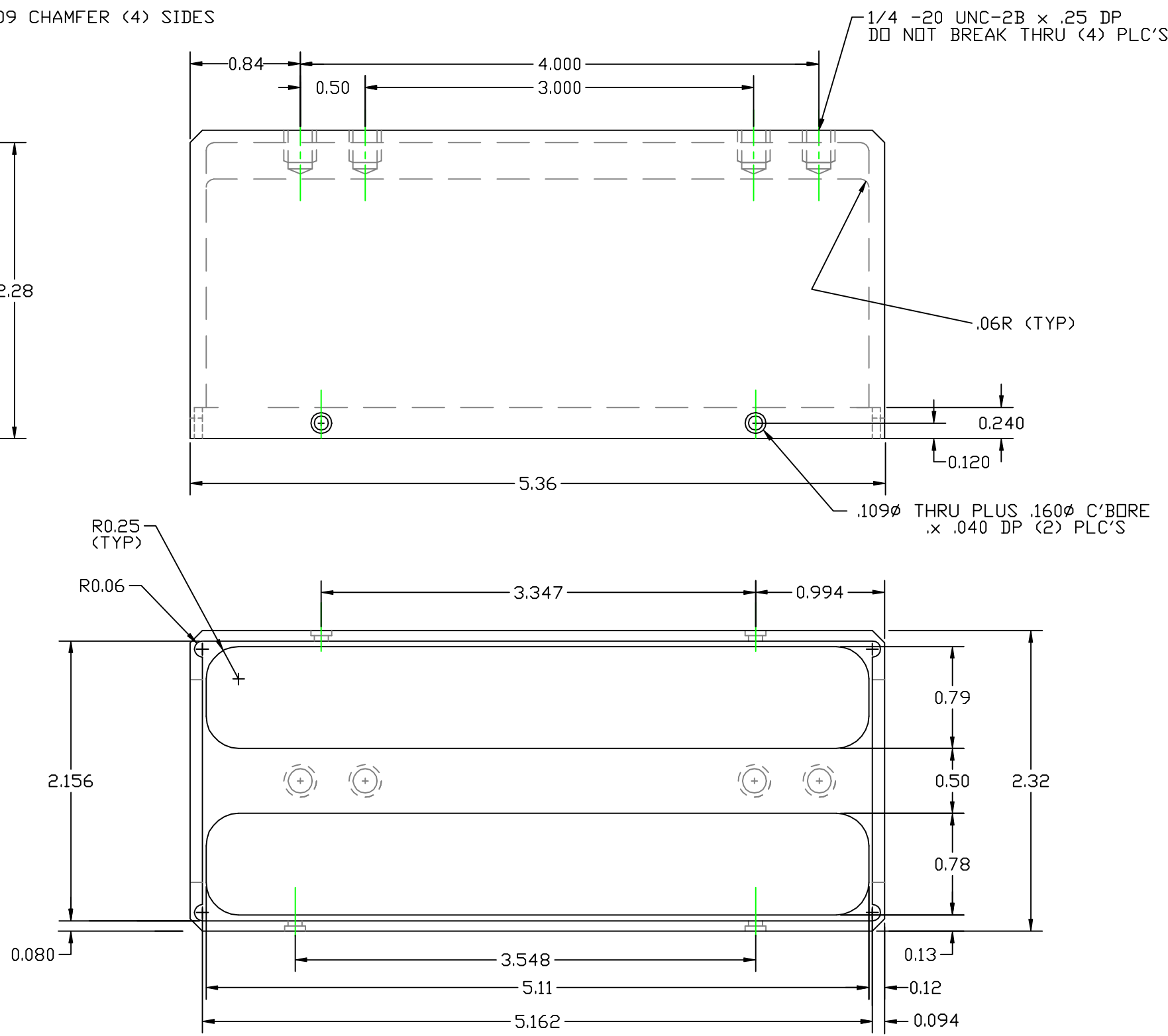
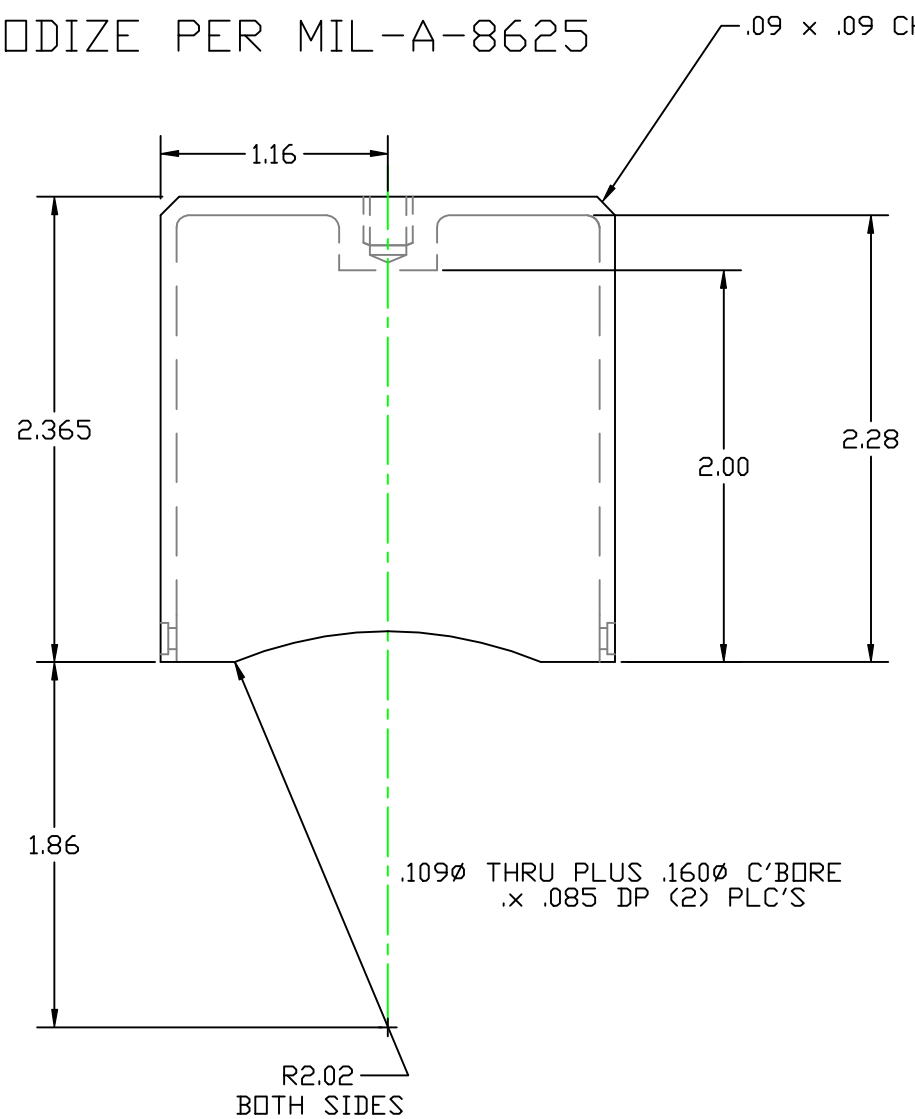


NOTES:

1. CLEAR ANODIZE PER MIL-A-8625



		UNLESS OTHERWISE SPECIFIED DIMENSIONS ARE IN INCHES														MIT CALIFORNIA INSTITUTE OF TECHNOLOGY MASSACHUSETTS INSTITUTE OF TECHNOLOGY					
		TOLERANCES: FRACTIONAL ±1/16(.16) ANGULAR ± 1° TWO PLACE DECIMAL ±.01(.025) THREE PLACE DECIMAL ±.005(.013)		FINISHED SURFACE RMS 63 BREAK CORNERS IN: OUT: .02 REMOVE ALL BURRS														COVER BOX LASER AUTOCOLLIMATOR MOUNT IAS FIELD STATION			
		MATERIAL: 6061-T6 ALUM.	HEAT TREAT: -	FINISH: SEE NOTE 1	A INITIAL RELEASE														MASON 1/10/00		
		USED ON: IAS FIELD STATION		NEXT ASS'Y: D980410-00-D		00 PRE-RELEASE														K.MASON 9/21/98	
DWG. NO.	DESCRIPTION					REV	DESCRIPTION	DCC	SYS	DET	CDS	VE	CC	BT	CHECK	DRWN	DATE	CAD FILE	SIZE	DWG. NO.	
	REFERENCE DRAWINGS																	D980412-A.dwg	B	D980412-A-D	
																		SCALE 1:1		SHEET 1 OF 1	