

4

3

2

1

D

D

C

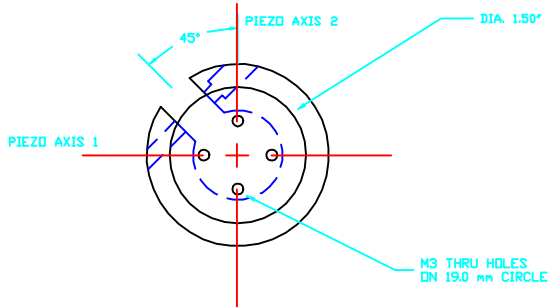
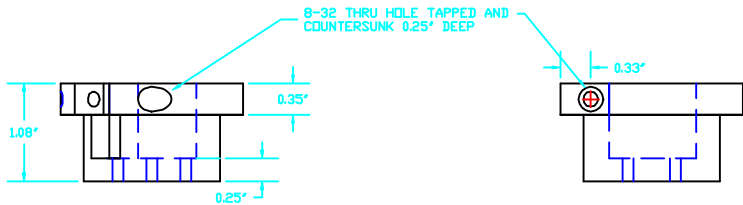
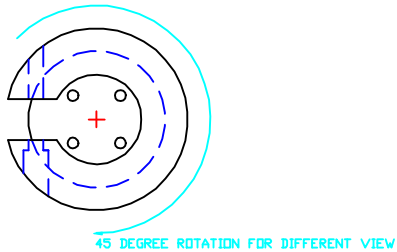
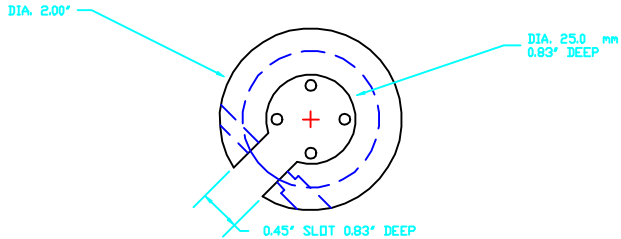
C

B

B

A

A



DRWN	A.BENGSTON	DATE	4-9-98	CALIFORNIA INSTITUTE OF TECHNOLOGY		LIGO PROJECT	
CHKD				MASSACHUSETTS INSTITUTE OF TECHNOLOGY			
ENGR				CAD FILE: D960785_B.asc			
APPD				dcc file: /home/dcc/docs/D960785_B.pdf			
MATERIAL: ALUMINUM				PIEZO SLEEVE			
DO NOT SCALE DRAWING				SCALE:	NTS	SIZE	B
				DRAWING NUMBER	D980446-00-D		SHEET
						1 OF 1	

4

3

2

1