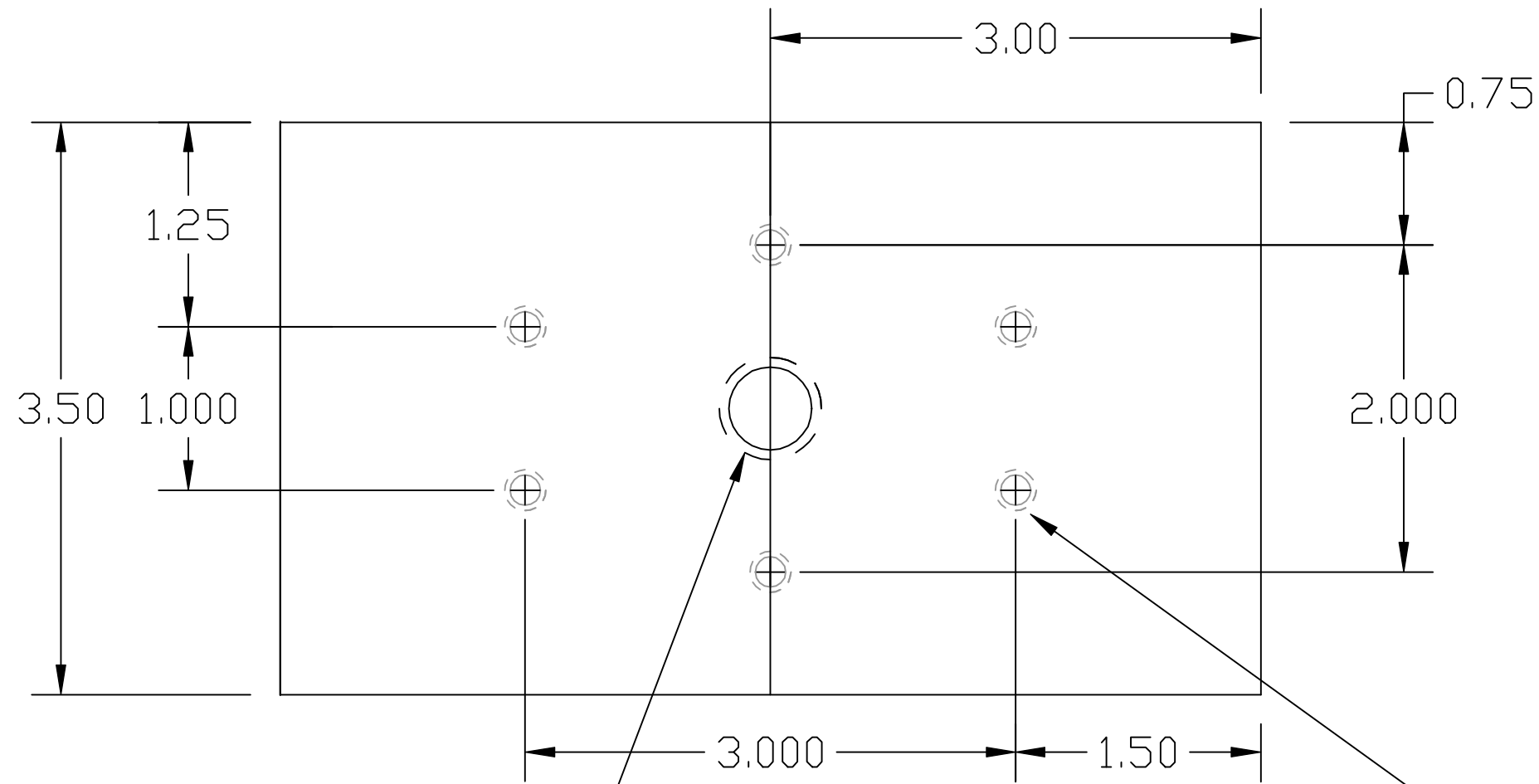
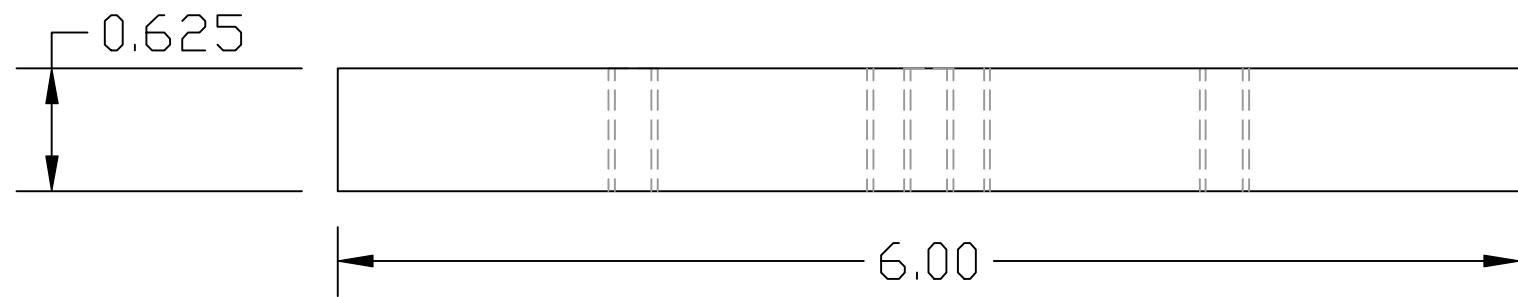


1. CLEAR ANODIZE PER MIL-A-8625



5/8-11 UNC-2B THRU

1/4-20 UNC-2B THRU (6) PLC'S



		UNLESS OTHERWISE SPECIFIED DIMENSIONS ARE IN INCHES													MIT CALIFORNIA INSTITUTE OF TECHNOLOGY MASSACHUSETTS INSTITUTE OF TECHNOLOGY				
		TOLERANCES: FRACTIONAL ±1/16(.16) ANGULAR ± 1° TWO PLACE DECIMAL ±.01(.025) THREE PLACE DECIMAL ±.005(.013)		FINISHED SURFACE RMS 63 BREAK CORNERS IN: .02 REMOVE ALL BURRS												VERTICAL PLATE OPTICAL FLAT MOUNT ASC INITIAL ALIGNMENT			
		MATERIAL: 6061-T6 ALUM.	HEAT TREAT: -	FINISH: SEE NOTE 1	A INITIAL RELEASE												MASON	1/10/00	
					00 PRE-RELEASE											K.MASON	12/10/98		
DWG. NO.	DESCRIPTION				REV	DESCRIPTION	DCC	SYS	DET	CDS	VE	CC	BT	CHECK	DRWN	DATE	CAD FILE	SIZE	DWG. NO.
	REFERENCE DRAWINGS				USED ON: -	NEXT ASS'Y: -	ISSUE DESCRIPTION										D980495-A.dwg	B	D980495-A-D
															SCALE	FULL	SHEET	1 OF 1	