

NOTES: (UNLESS OTHERWISE SPECIFIED)

Liquid contaminants/Machining Lubricants
 Liquids containing hydrocarbons or other contaminants, other than the machining fluids specified herein, shall not be allowed to come into contact with suspension material at any time. All machining fluids shall be water soluble and free of sulfur, chlorine and silicone; such as Cincinnati Milacron's Cimtech 410 (stainless steel).

Identification_Serial Number

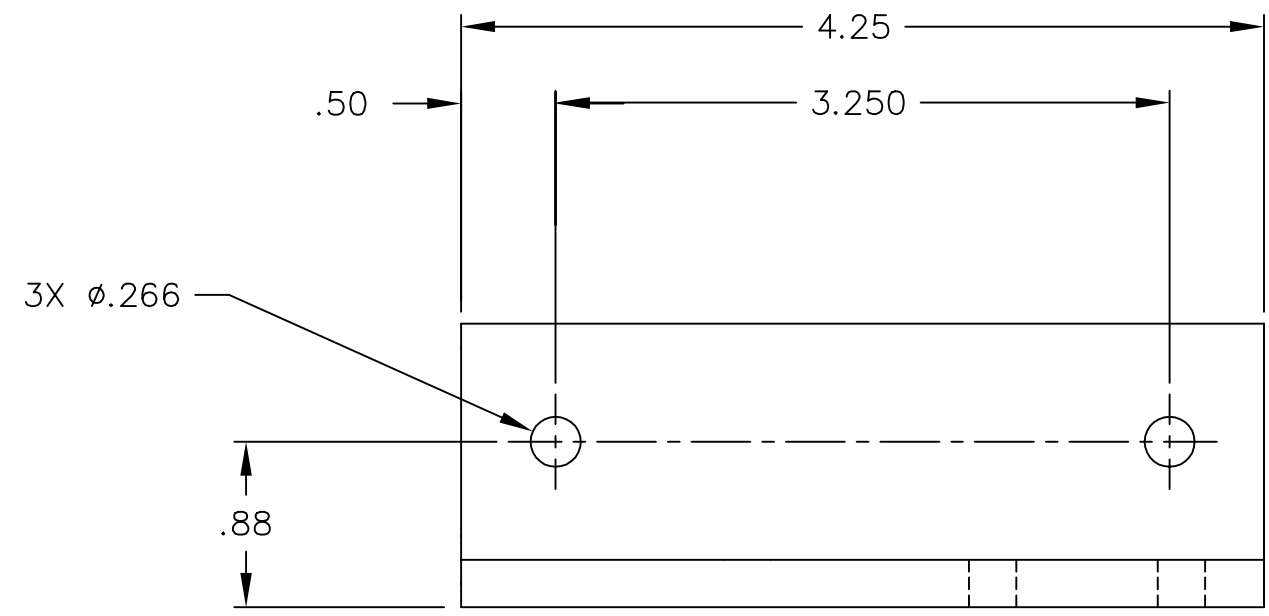
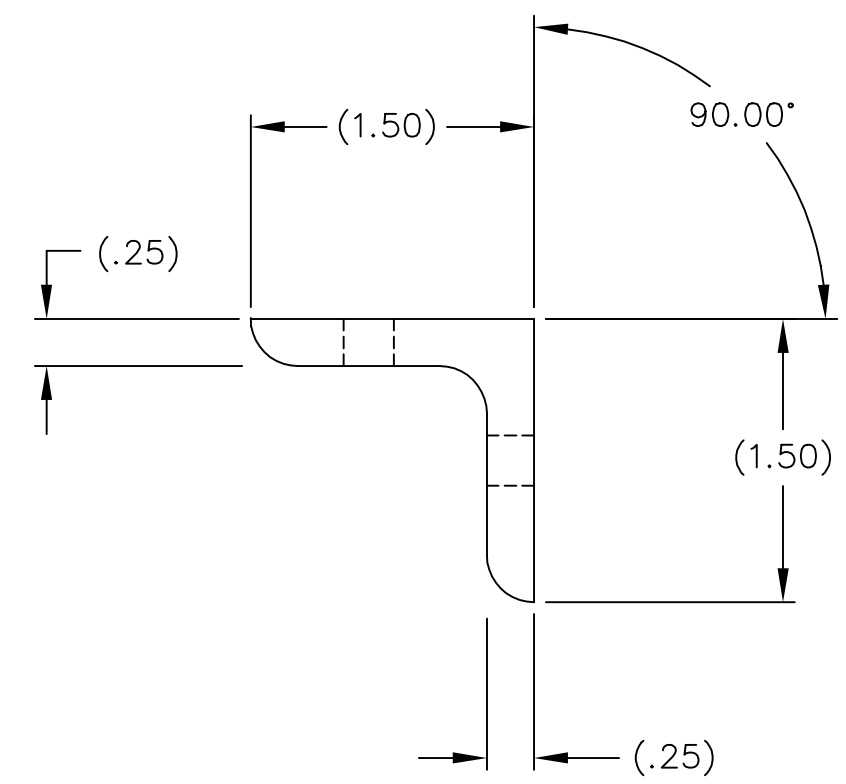
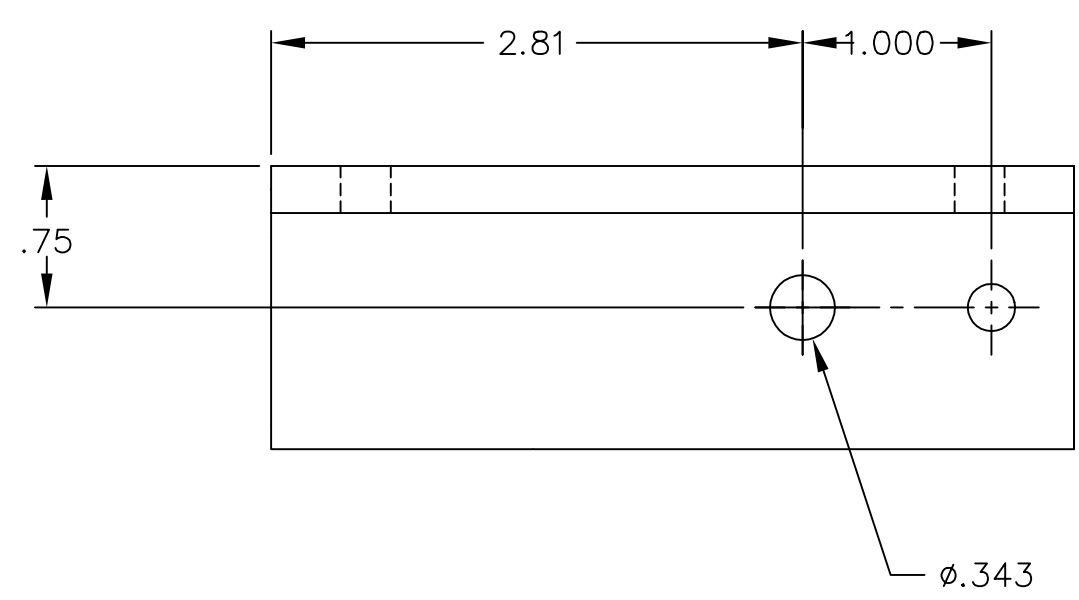
A serial number shall be etched, or scribed on the part see note drawing note.

Serial Number Format

The Serial number shall be of the format: D99xxxx-x-001

Example: D990021-A-001

The drawing number, The revision number, The sequential part number



ref. 1 per assembly

REF	QTY	PART or DRWG No.	DESCRIPTION	MATERIAL
PARTS and MATERIAL LIST				
LIGO CALIFORNIA INSTITUTE OF TECHNOLOGY MASSACHUSETTS INSTITUTE OF TECHNOLOGY				
BRKT., FRONT-RIGHT, ETM RETAINING				
B		FOR FABRICATION	kenm	4-22-99
00		PRE-RELEASE	CHAPUT	11-3-98
REV		DESCRIPTION	DCN NUMBER	APPR'D CHECK DRWN DATE
ISSUE DESCRIPTION				
			SCALE	1 : 1
			SHEET	1 OF 1

UNLESS OTHERWISE SPECIFIED DIMENSIONS ARE IN FEET [cm]			
TOLERANCES: FRACTIONAL ± 1/16 ANGULAR ± .25° ANGLE/ARM/CHAMFER/BEND ± .01		THREE PLACE DECIMAL ± .005 FINISHED SURFACE RMS 63 BREAK CORNERS IN .015 OUT .015 REMOVE ALL BURRS	
MATERIAL: 1.5 X 1.5 X .25 THK. 6061 T-6 ALUM.	HEAT TREAT: /	FINISH: /	
USED ON: XXX	NEXT ASS'Y: XXX		

XXX	XXX
DWG. NO.	DESCRIPTION
6	REFERENCE DRAWINGS