

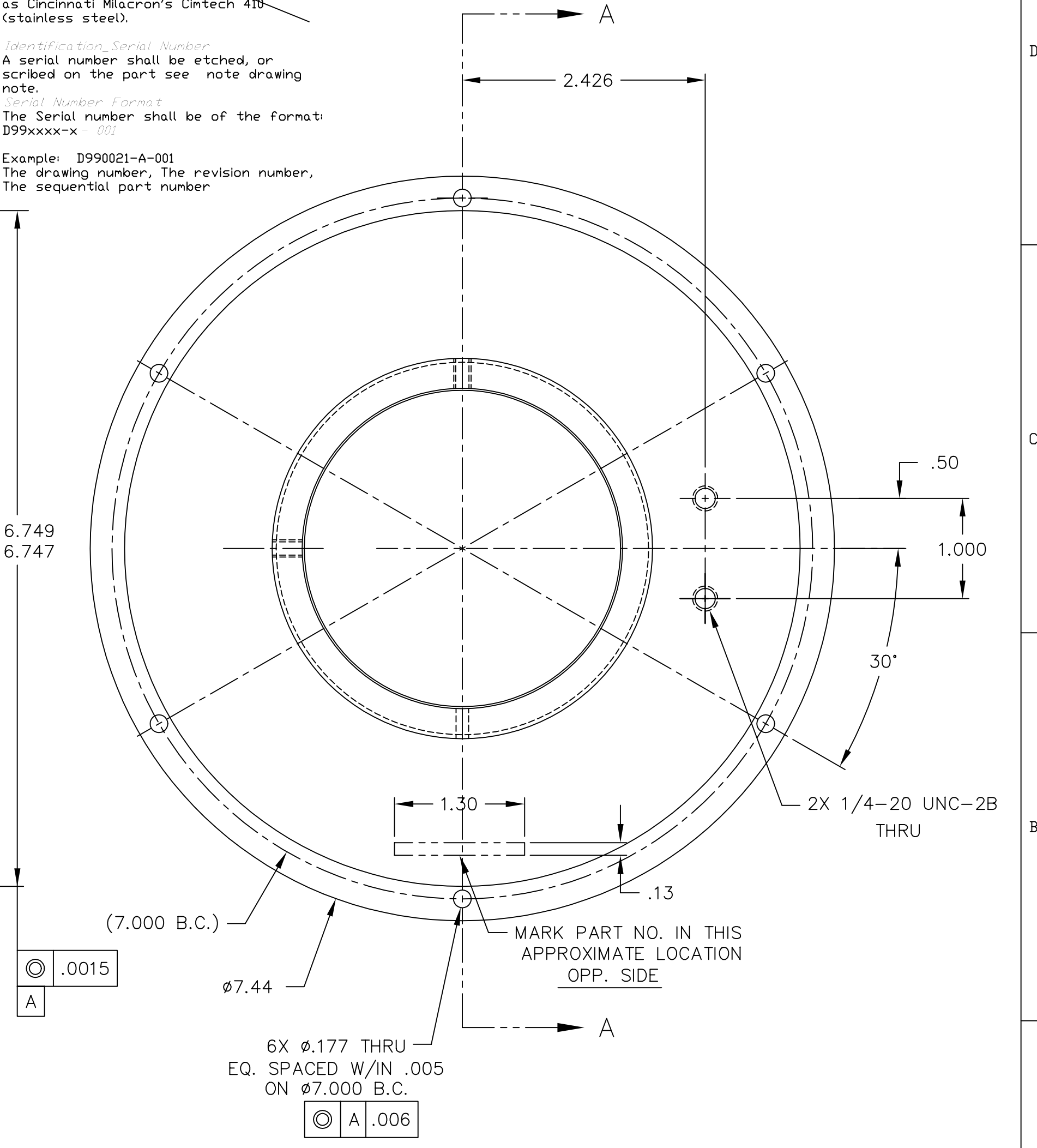
NOTES: (UNLESS OTHERWISE SPECIFIED)

Liquid contaminants/Machining Lubricants
Liquids containing hydrocarbons or other contaminants, other than the machining fluids specified herein, shall not be allowed to come into contact with suspension material at any time. All machining fluids shall be water soluble and free of sulfur, chlorine and silicone; such as Cincinnati Milacron's Cimtech 410 (stainless steel).

Identification, Serial Number
A serial number shall be etched, or scribed on the part see note drawing note.

Serial Number Format
The Serial number shall be of the format: D99xxxx-x-001

Example: D990021-A-001
The drawing number, The revision number, The sequential part number



ref. 1 per assembly

REF		QTY	PART or DRWG No.		DESCRIPTION				MATERIAL
					PARTS and MATERIAL LIST				
					LIGO CALIFORNIA INSTITUTE OF TECHNOLOGY MASSACHUSETTS INSTITUTE OF TECHNOLOGY				
					END CAP REAR				
XXX	XXX								
DWG. NO.	DESCRIPTION	MATERIAL:	HEAT TREAT:	FINISH:	B	FOR PRODUCTION	kenm	6-2-99	
		6061 T-6 ALUM	/		00	PRE-RELEASE	CHAPUT	11-6-98	
		USED ON: XXX	NEXT ASS'Y: XXX		REV	DESCRIPTION	DCN NUMBER	APPR'D CHECK DRWN DATE	
				ISSUE DESCRIPTION				SCALE	SHEET
								FULL	11

6

5

4

3

2

1