

NOTES: (UNLESS OTHERWISE SPECIFIED)

Liquid contaminants/Machining Lubricants
Liquids containing hydrocarbons or other contaminants, other than the machining fluids specified herein, shall not be allowed to come into contact with suspension material at any time. All machining fluids shall be water soluble and free of sulfur, chlorine and silicone; such as Cincinnati Milacron's Cimtech 410 (stainless steel).

Identification_Serial Number

A serial number shall be etched, or scribed on the part see note drawing note.

Serial Number Format

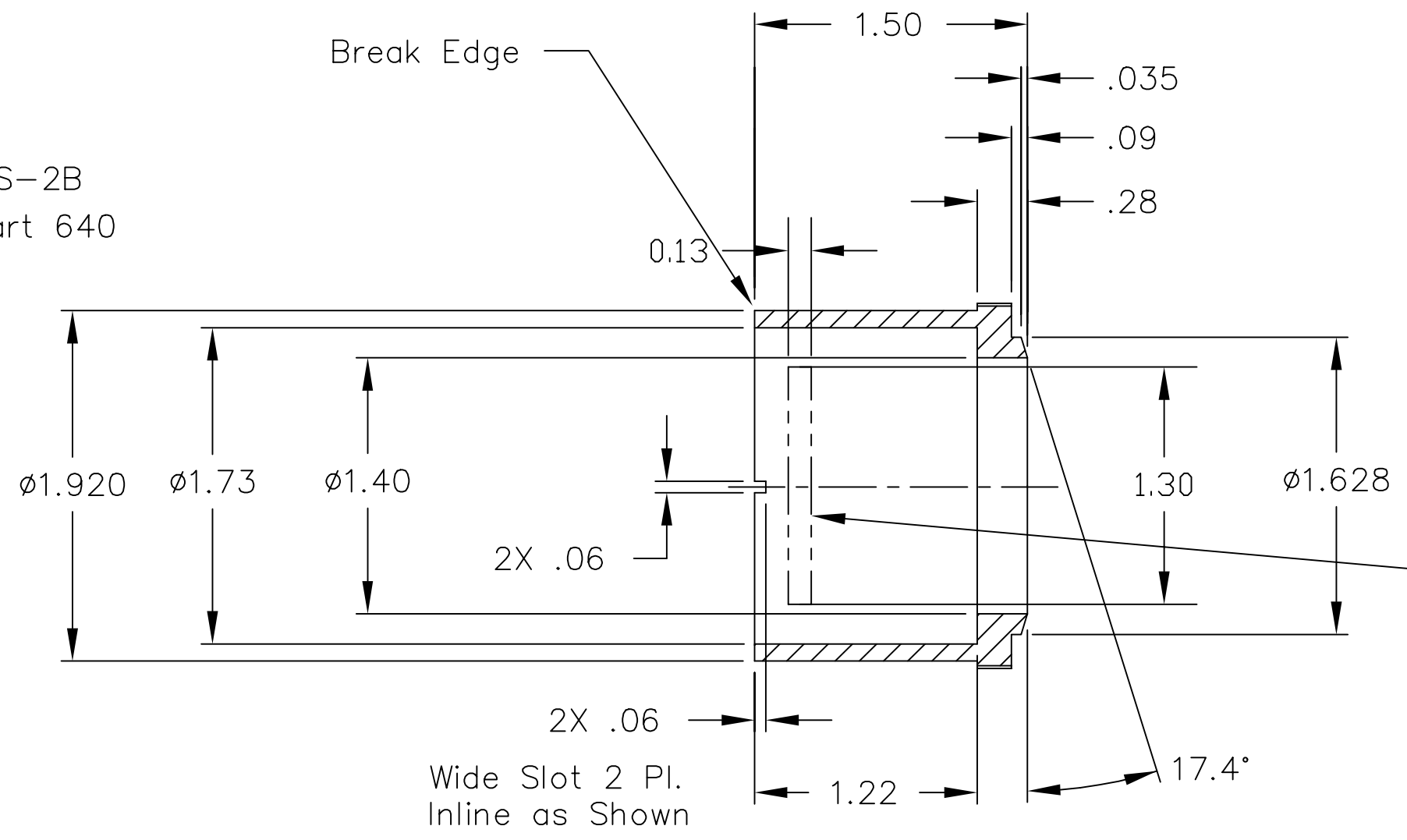
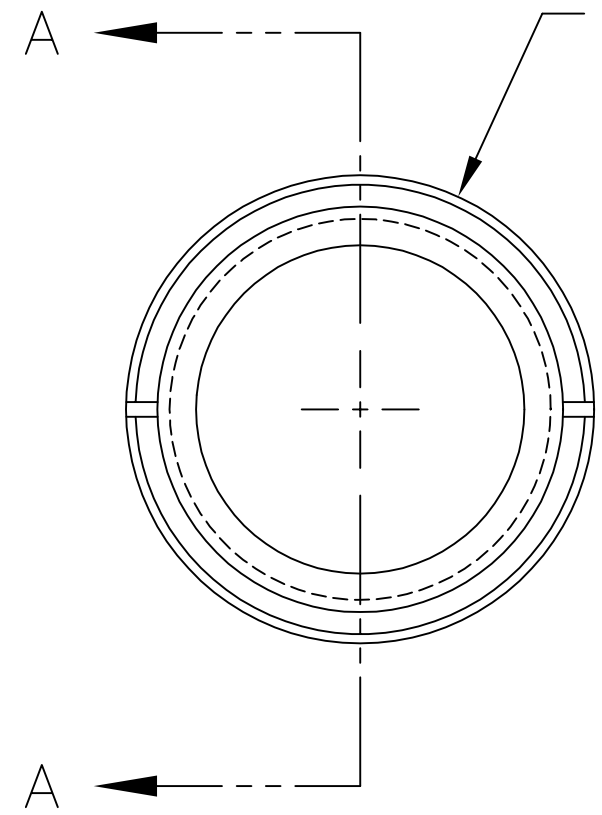
The Serial number shall be of the format: D99xxxx-x-001

Example: D990021-A-001

The drawing number, The revision number, The sequential part number

MARK PART NO. IN THIS APPROXIMATE LOCATION OUTSIDE

Ø2.000-32 UNS-2B
Free fit w/ part 640



Break Edge

Wide Slot 2 Pl.
Inline as Shown

SECTION A-A

ref. 1 per assembly

REF.	QTY.	PART or DRWG No.	NOMENCLATURE or DESCRIPTION	MATERIAL
PARTS and MATERIAL LIST				
				LIGO CALIFORNIA INSTITUTE OF TECHNOLOGY MASSACHUSETTS INSTITUTE OF TECHNOLOGY
				RETAINER, REAR EYEPIECE LENS
				kenm 4-27-99
				CHAPUT 11-3-98
				CAD FILE D980646-B
				SIZE/DWG. NO. B D980646-B
				SHEET 1 OF 1

UNLESS OTHERWISE SPECIFIED DIMENSIONS ARE IN INCHES			
TOLERANCES:	FRACTIONAL ± 1/16	THREE PLACE DECIMAL ± .005	FINISHED SURFACE RMS 63
	ANGULAR ± .25°	BREAK CORNERS IN .015 OUT .015	REMOVE ALL BURRS
	ANGULAR MACH ± BEND ±		
	TWO PLACE DECIMAL ± .01		
MATERIAL:	6061 T-6 ALUM	HEAT TREAT:	/
FINISH:			
DWG. NO.	REFERENCE DRAWINGS	USED ON: XXX	NEXT ASS'Y: XXX