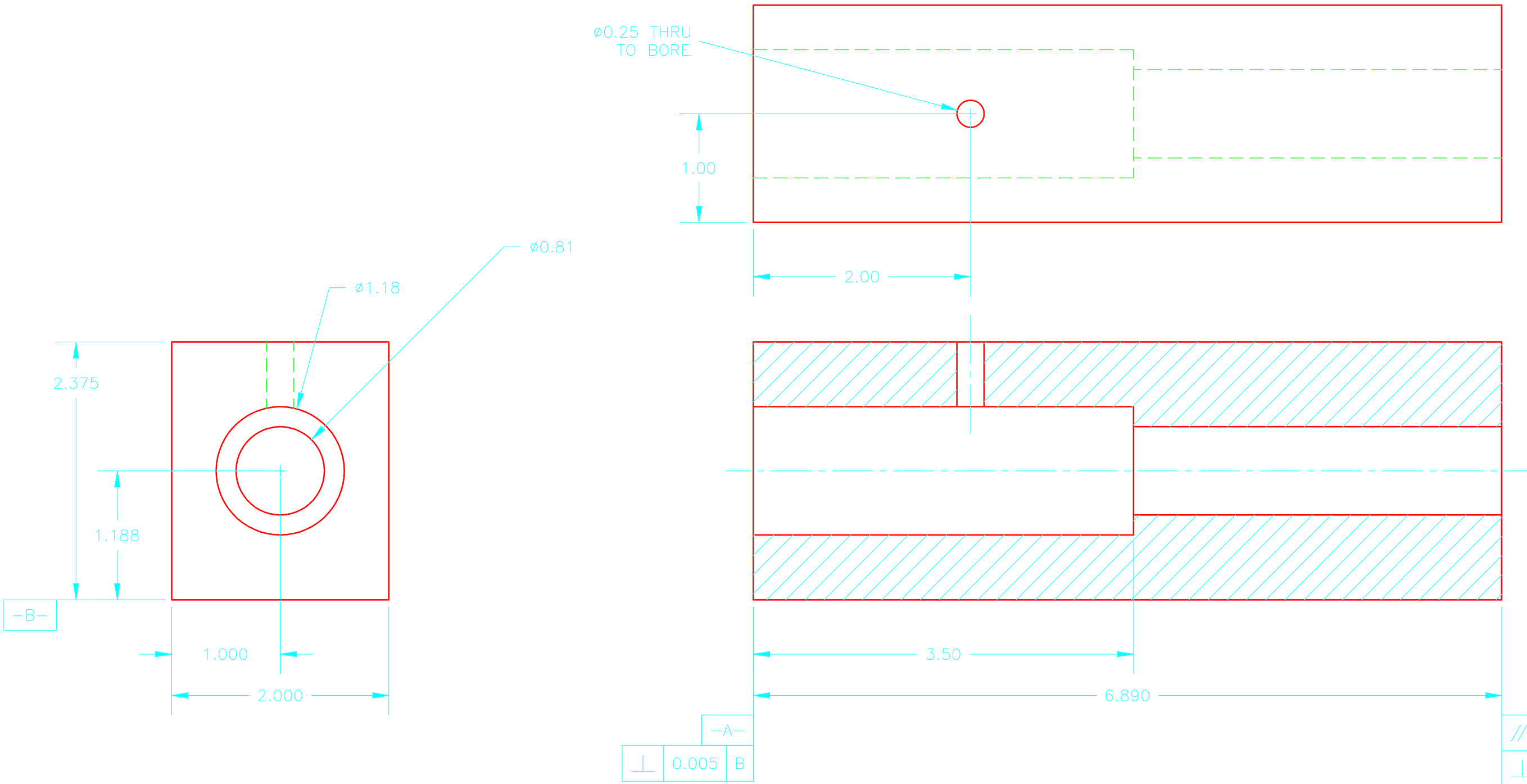


REVISIONS			
REV.	DESCRIPTION	DATE	APPROVED

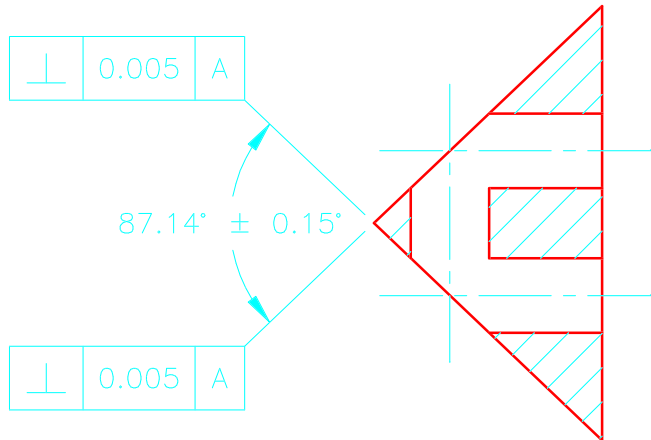
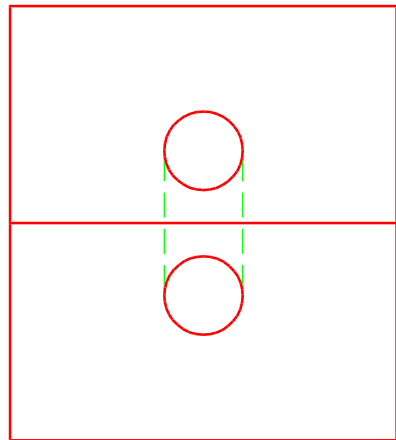


⊥	0.005	B
---	-------	---

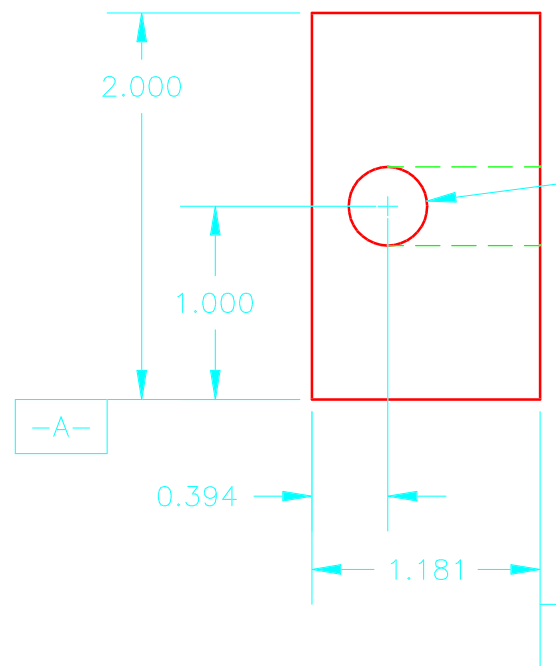
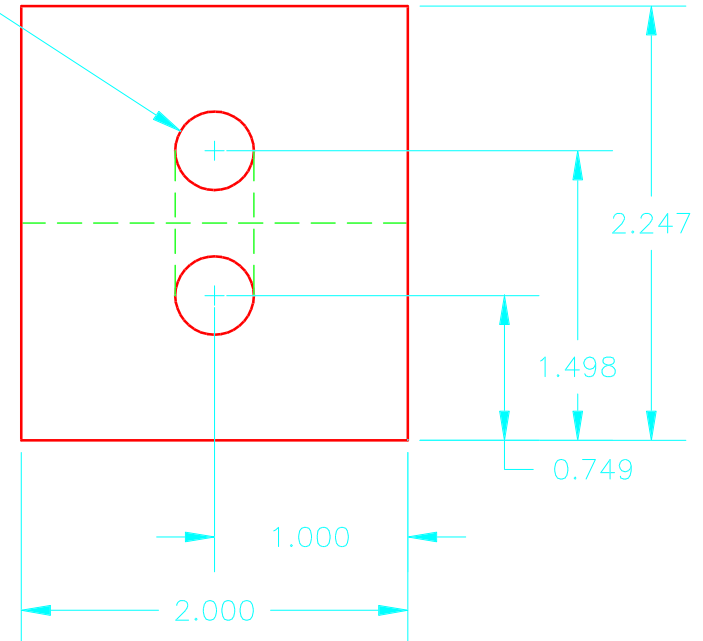
//	0.005	A
⊥	0.005	B

QTY REQD	FSCM NO.	PART OR IDENTIFYING NO.	NOMENCLATURE OR DESCRIPTION	MATERIAL SPECIFICATION
PARTS LIST				
UNLESS OTHERWISE SPECIFIED DIMENSIONS ARE IN INCHES TOLERANCES ARE: FRACTIONS    DECIMALS    ANGLES ±                .XX±.01                ± .XXX±.005 .XXXX±.0005		CONTRACT NO.		<b>LIGO Project</b> <i>California Institute of Technology Massachusetts Institute of Technology</i>
MATERIAL <b>CORNING 7940</b>		APPROVALS DRAWN <b>P. KING</b>	DATE <b>02/02/99</b>	<b>PSL Pre-stabilized Laser</b>
FINISH		CHECKED	ISSUED	PRE-MODECLEANER BODY BLOCK
NEXT ASSY	USED ON	SIZE <b>B</b>	FSCM NO.	PSL DWG. NO. <b>B990202-1-PMC</b>
APPLICATION		DO NOT SCALE DRAWING		REV.
		SCALE <b>1:1</b>	SHEET <b>1 of 2</b>	

REVISIONS			
REV.	DESCRIPTION	DATE	APPROVED



13/32 IN. (0.406) DIA. THRU  
(2) PLACES



13/32 IN. (0.406) DIA. THRU

QTY REQD	FSCM NO.	PART OR IDENTIFYING NO.	NOMENCLATURE OR DESCRIPTION	MATERIAL SPECIFICATION
PARTS LIST				
UNLESS OTHERWISE SPECIFIED DIMENSIONS ARE IN INCHES TOLERANCES ARE: FRACTIONS    DECIMALS    ANGLES ±                .XX±.01                ± .XXX±.005 .XXXX±.0005		CONTRACT NO.		<b>LIGO Project</b> <i>California Institute of Technology</i> <i>Massachusetts Institute of Technology</i>  <b>PSL Pre-stabilized Laser</b>
MATERIAL <b>CORNING 7940</b>		APPROVALS DRAWN <b>P. KING</b>	DATE <b>02/02/99</b>	
FINISH		CHECKED	ISSUED	PRE-MODECLEANER PRISM BLOCK SIZE <b>B</b> FSCM NO.    PSL DWG. NO. <b>B990202-2-PMC</b> REV.
NEXT ASSY	USED ON	APPLICATION		SCALE <b>1:1</b> SHEET <b>2 of 2</b>
DO NOT SCALE DRAWING				