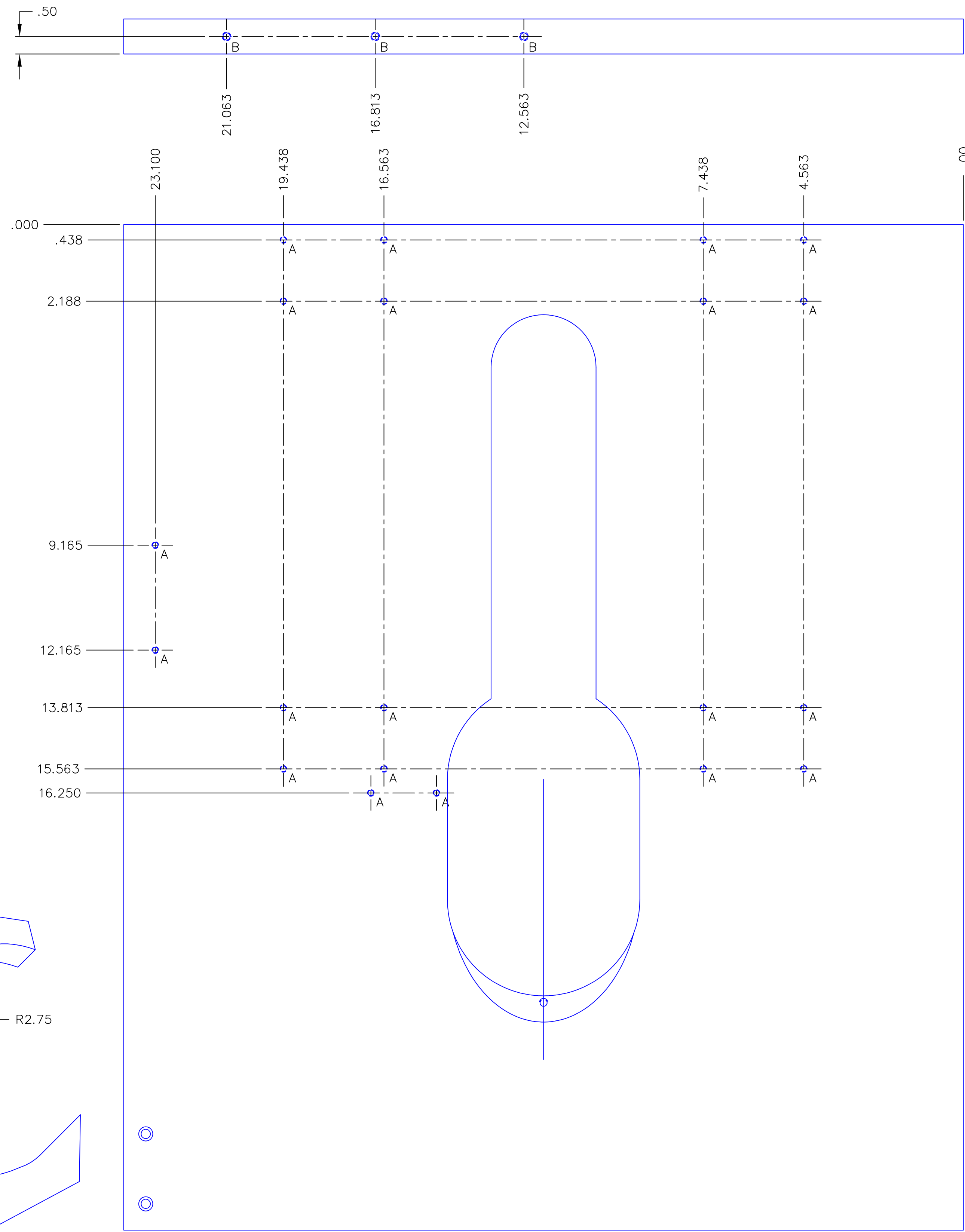
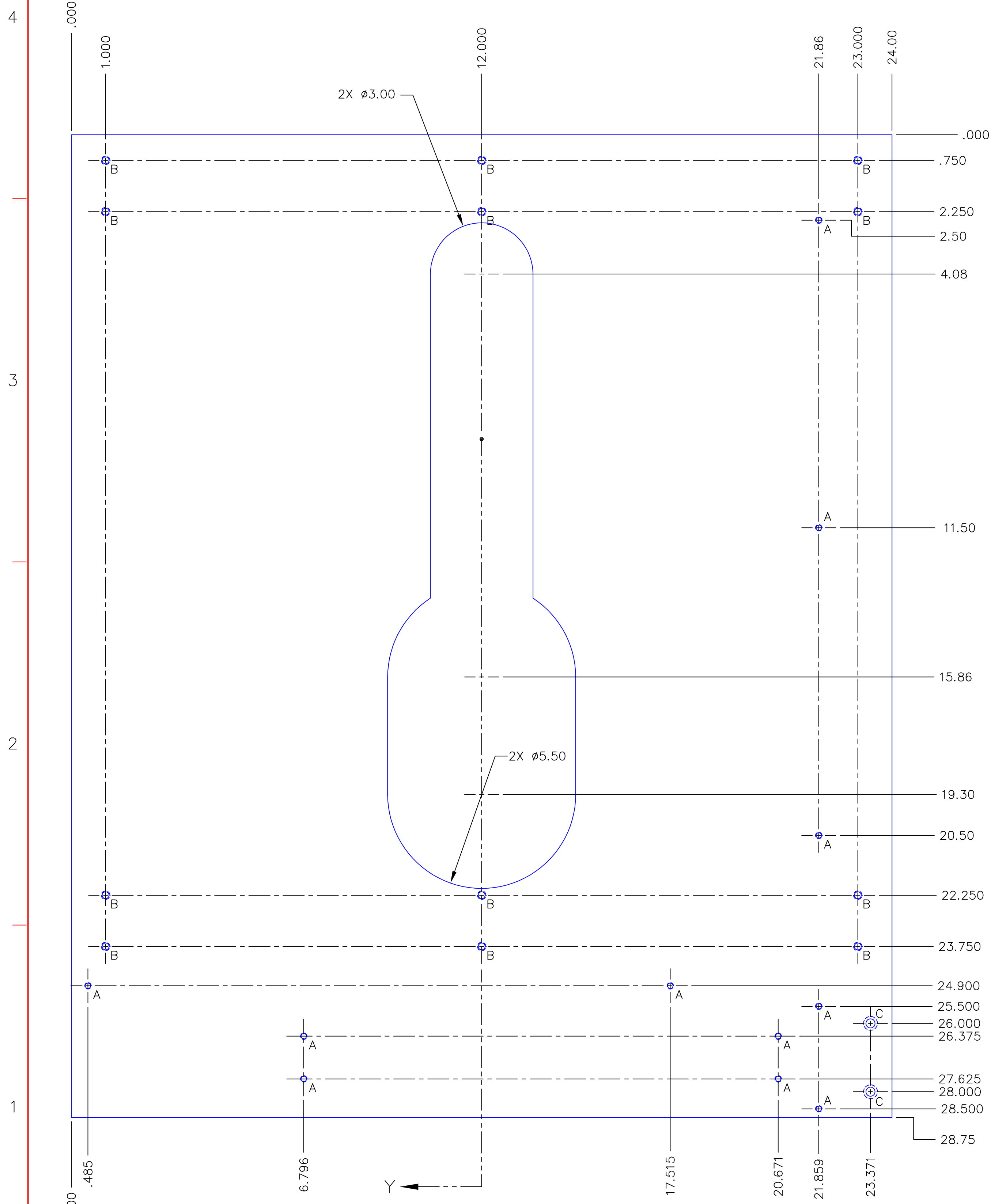


REVISIONS				
LTR	REL DATE	DESCRIPTION	APPR	DATE
A		DCN E030398-00		



LTR.	DESCRIPTION	QTY.
A	#10-32 UNC-2B X .50 DP.	31
B	1/4-20 UNC-2B X .50 DP.	17
C	Ø.266 THRU L J Ø.406 X .50 DP., FAR SIDE	2

UNLESS OTHERWISE SPECIFIED DIMENSIONS ARE INCHES TOLERANCES ON FRACTIONS DECIMALS ANGLES ± 1/16 ± .001 ± 1/2° BREAK ALL SHARP EDGES .005 TO .015 MAX. AND DEBURR	DRAWN IVANHOE P.	CC DESIGN DEVELOPMENT TORRANCE, CA. (310) 534-5620
	CHECKED	
MATERIAL 1" THK. ALUM. TOOLING PLATE	DESIGN APPROVAL	TITLE BASE PLATE, X-CARRIAGE
FINISH BLACK ANODIZE	PROJECT APPROVAL	SIZE D
		DWG NO. D980699
		3216
		SCALE .50 QTY 1 SHEET 1 OF 1