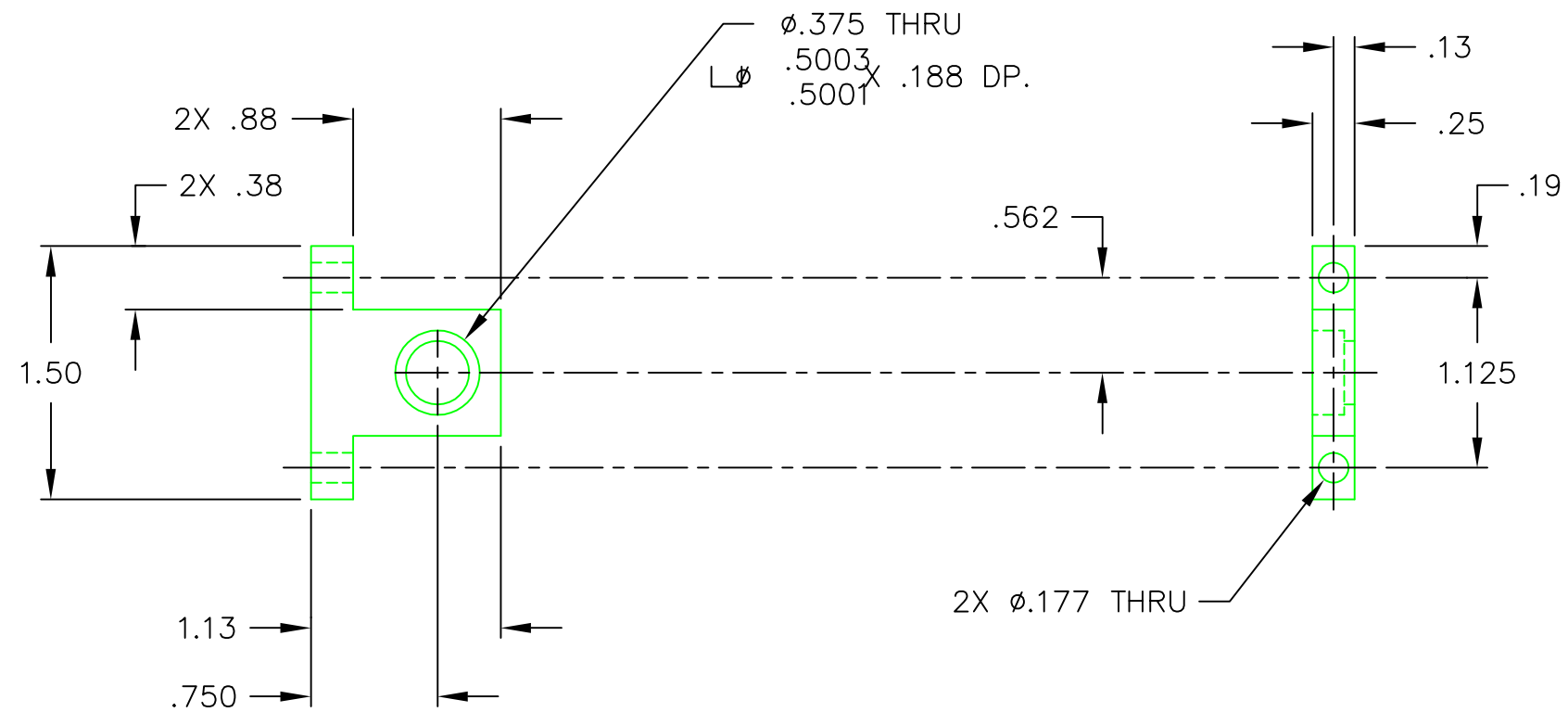


REVISIONS				
LTR	REL DATE	DESCRIPTION	APPR	DATE
A		DCN E030398-00		



UNLESS OTHERWISE SPECIFIED DIMENSIONS ARE INCHES	DRAWN IVANHOE P.	CC DESIGN DEVELOPMENT		
	CHECKED	TORRANCE, CA. (310) 534-5620		
TOLERANCES ON FRACTIONS DECIMALS ANGLES $\pm 1/16$.XX $\pm .010$ $\pm 1/2^\circ$ BREAK ALL SHARP EDGES .005 TO .015 MAX. AND DEBURR	DESIGN APPROVAL	TITLE BLOCK, FILTER RETAINING		
	PROJECT APPROVAL	SIZE DWG NO. B D980703 3239		
MATERIAL 6061-T6 ALUMINUM	FINISH BLACK ANODIZE	SCALE 1:1	QTY 2	SHEET 1 OF 1