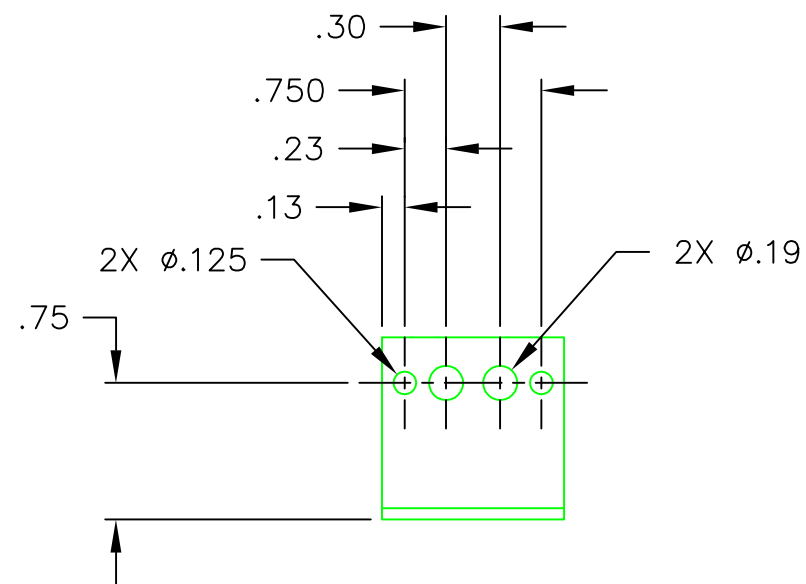
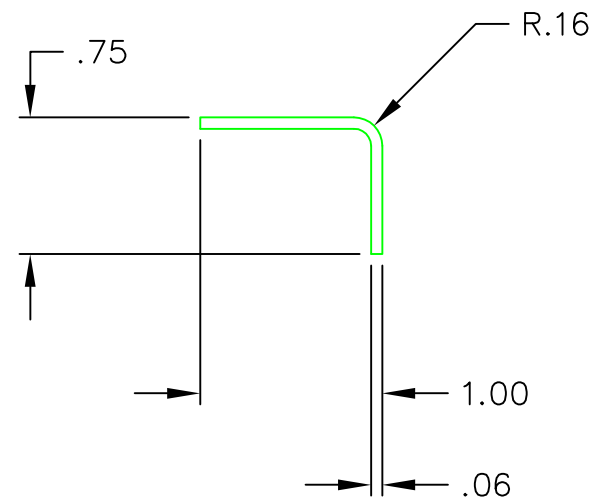
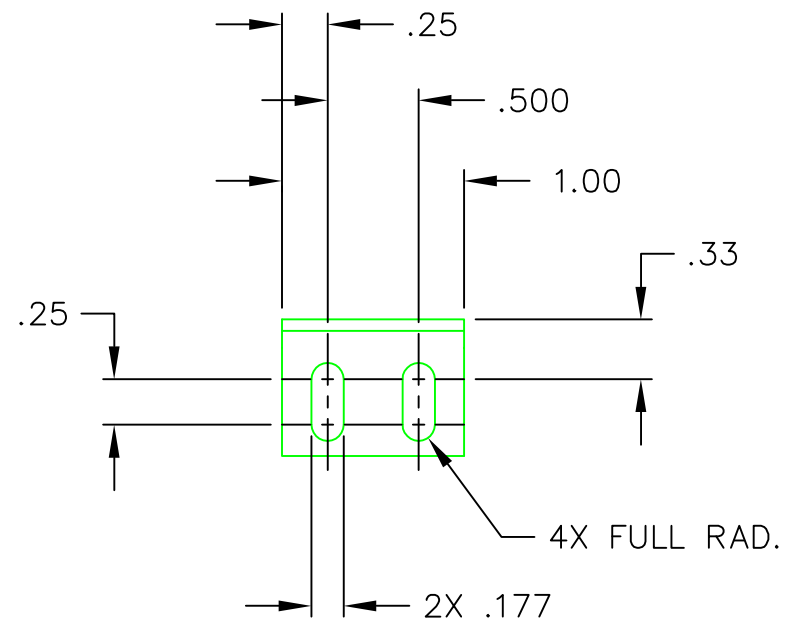


REVISIONS				
LTR	REL DATE	DESCRIPTION	APPR	DATE
A		DCN E030398-00		



UNLESS OTHERWISE SPECIFIED DIMENSIONS ARE INCHES TOLERANCES ON FRACTIONS DECIMALS ANGLES ± 1/16 .XX ± .010 ± 1/2° BREAK ALL SHARP EDGES .005 TO .015 MAX. AND DEBURR	DRAWN IVANHOE P.	CC DESIGN DEVELOPMENT		
	CHECKED	TORRANCE, CA. (310) 534-5620		
MATERIAL 5052-H32 ALUM. SHEET	DESIGN APPROVAL	TITLE BRACKET, OPT. ENCODER		
	PROJECT APPROVAL	FINISH BLACK ANODIZE	SIZE B	DWG NO. D980704
		SCALE 1:1	QTY 2	SHEET 1 OF 1

3241