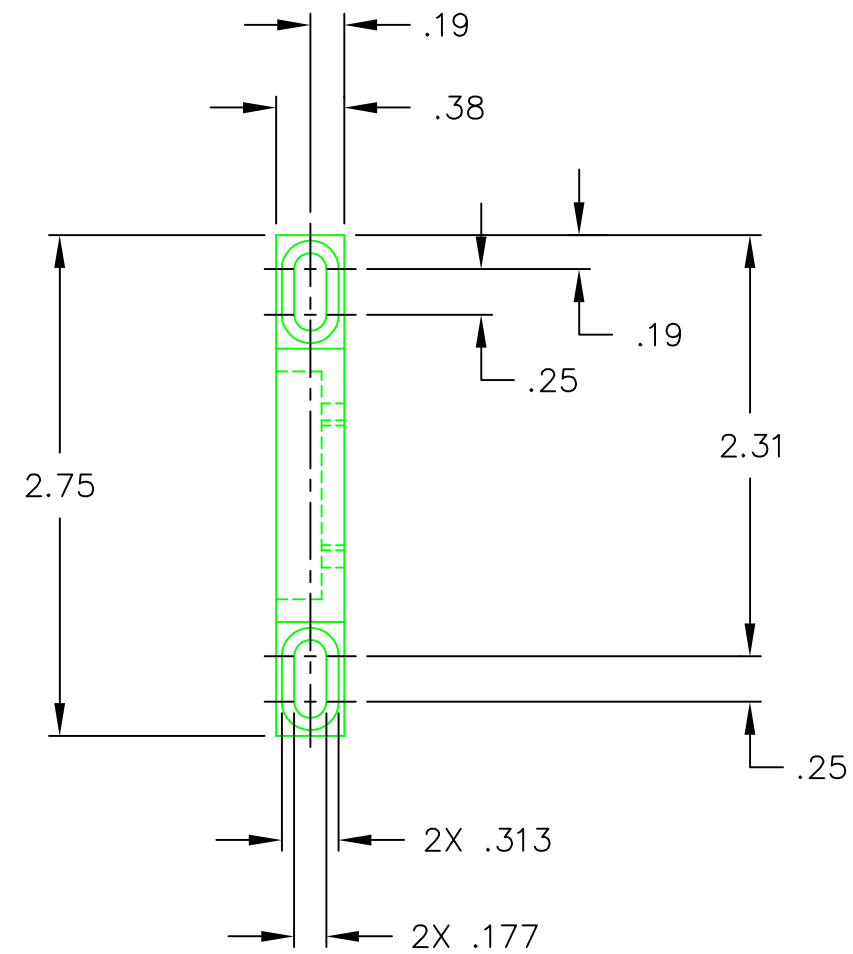
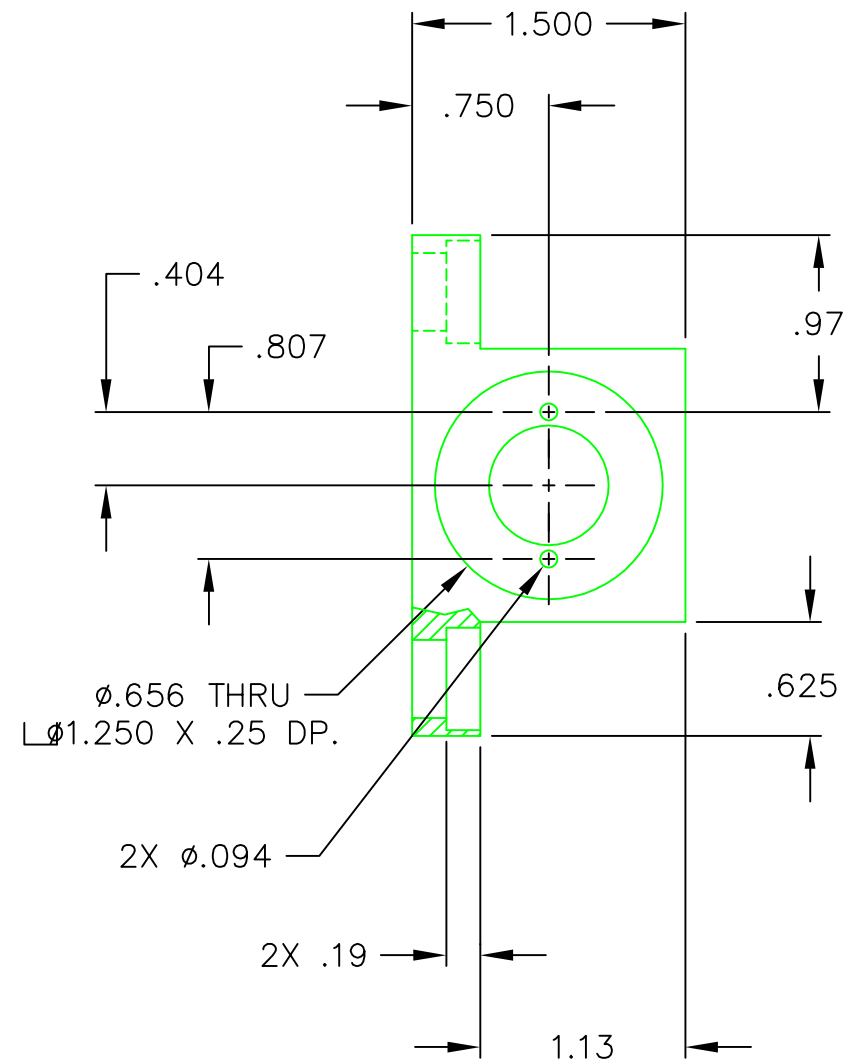


REVISIONS				
LTR	REL DATE	DESCRIPTION	APPR	DATE
A		DCN E030398-00		



UNLESS OTHERWISE SPECIFIED DIMENSIONS ARE INCHES	DRAWN IVANHOE	CC DESIGN DEVELOPMENT	
	CHECKED	TORRANCE, CA. (310) 534-5620	
TOLERANCES ON FRACTIONS DECIMALS ANGLES $\pm 1/16$ $.XX \pm .010$ $\pm 1/2^\circ$ BREAK ALL SHARP EDGES .005 TO .015 MAX. AND DEBURR	DESIGN APPROVAL	TITLE MOTOR MOUNT, FILTER WHEEL	
	PROJECT APPROVAL	SIZE B	DWG NO. D980705 3243
MATERIAL 6061-T6 ALUMINUM	FINISH BLACK ANODIZE	SCALE 1:1	QTY 1 SHEET 1 OF 1