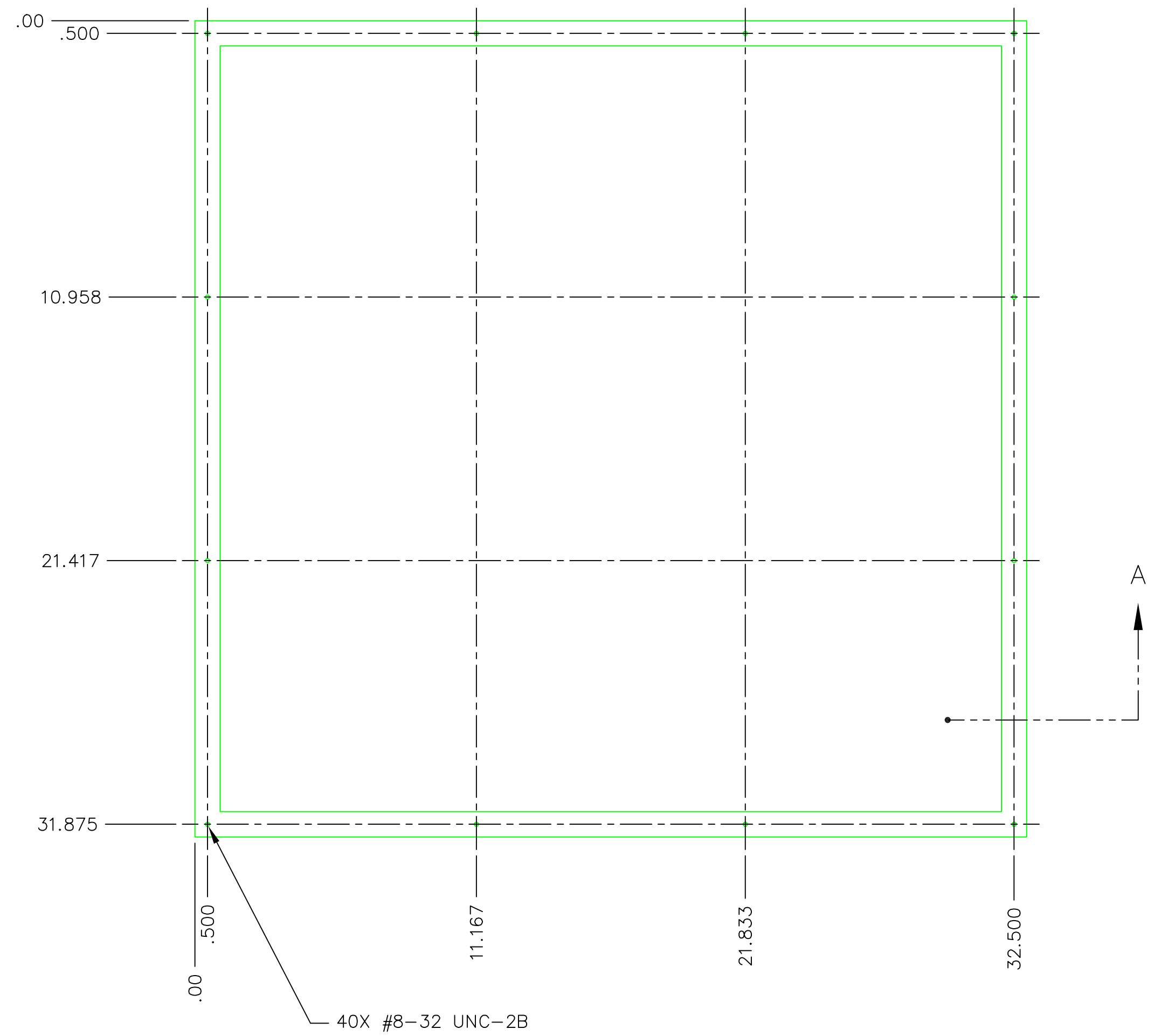
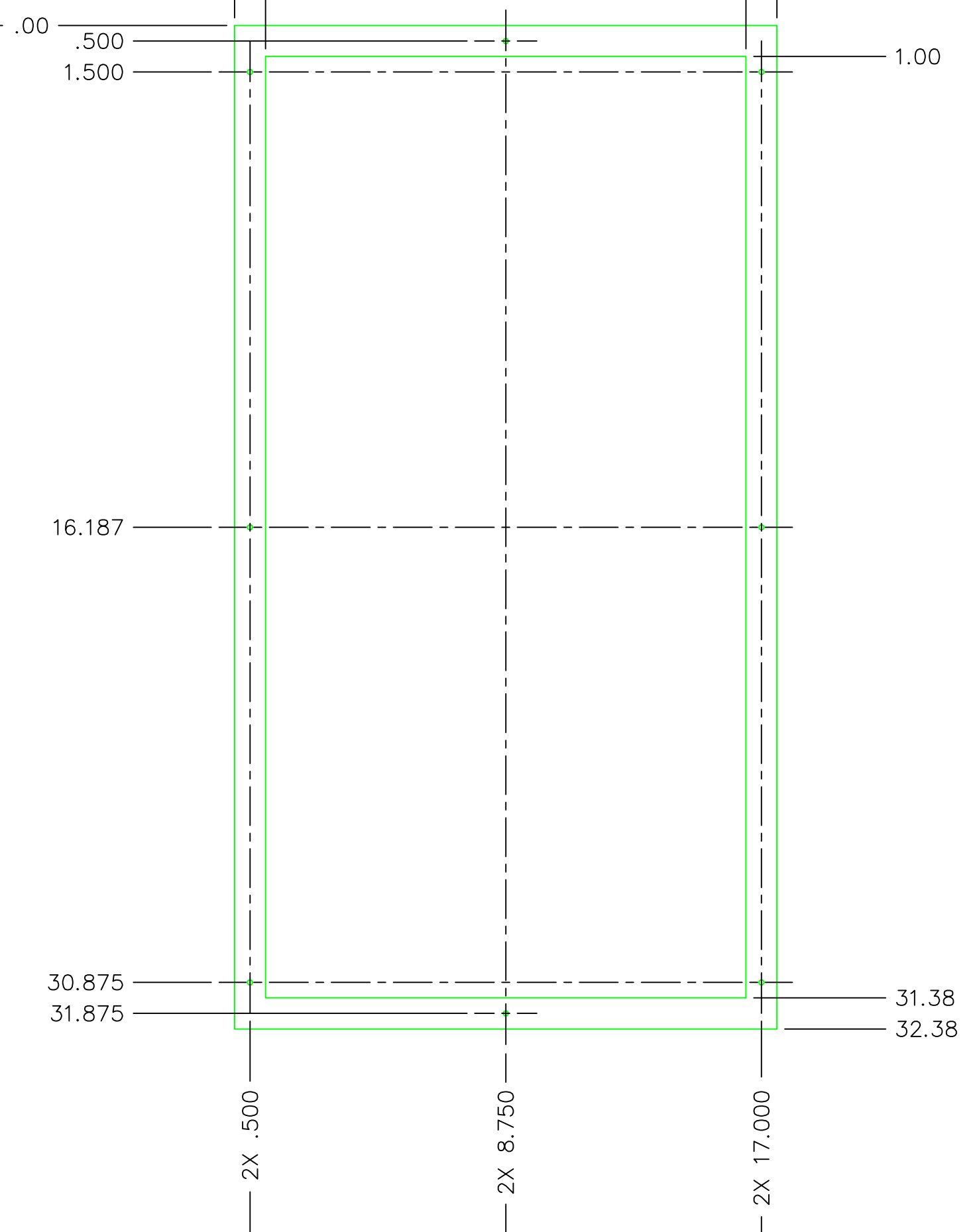
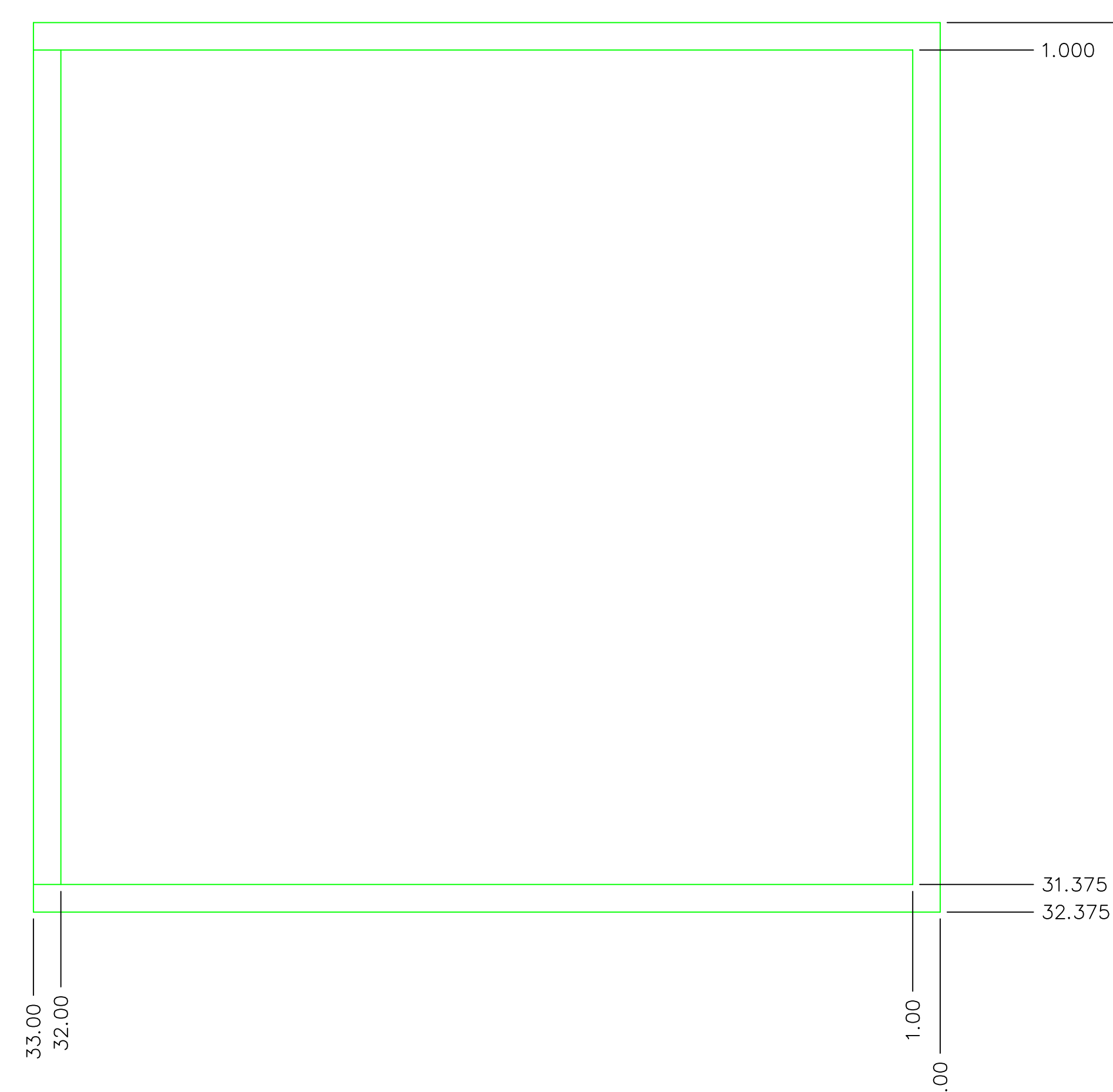
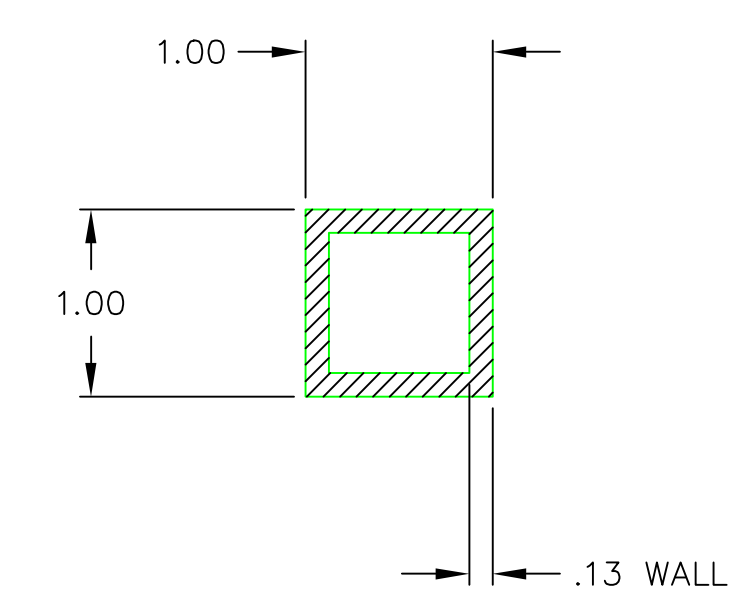
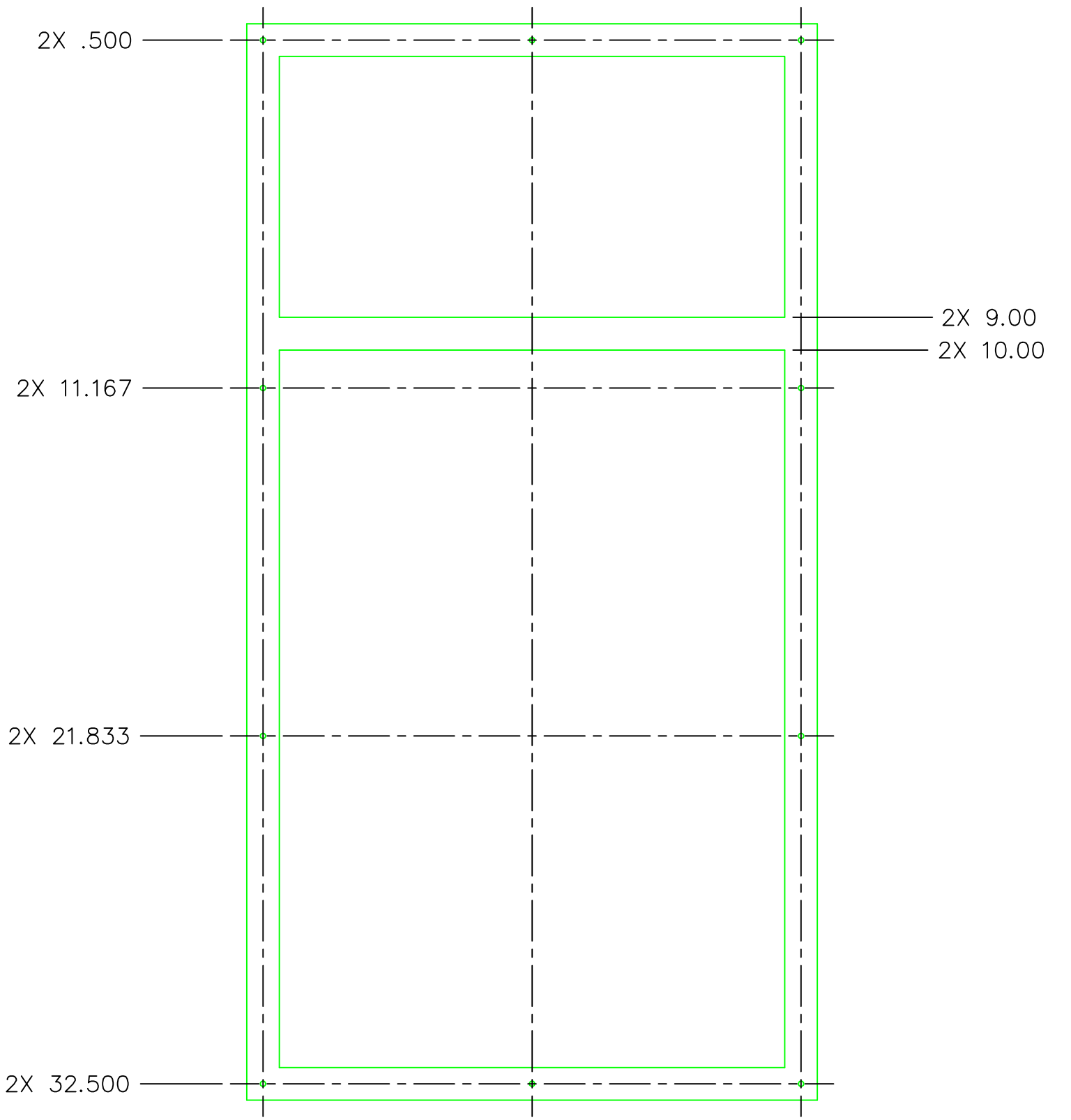
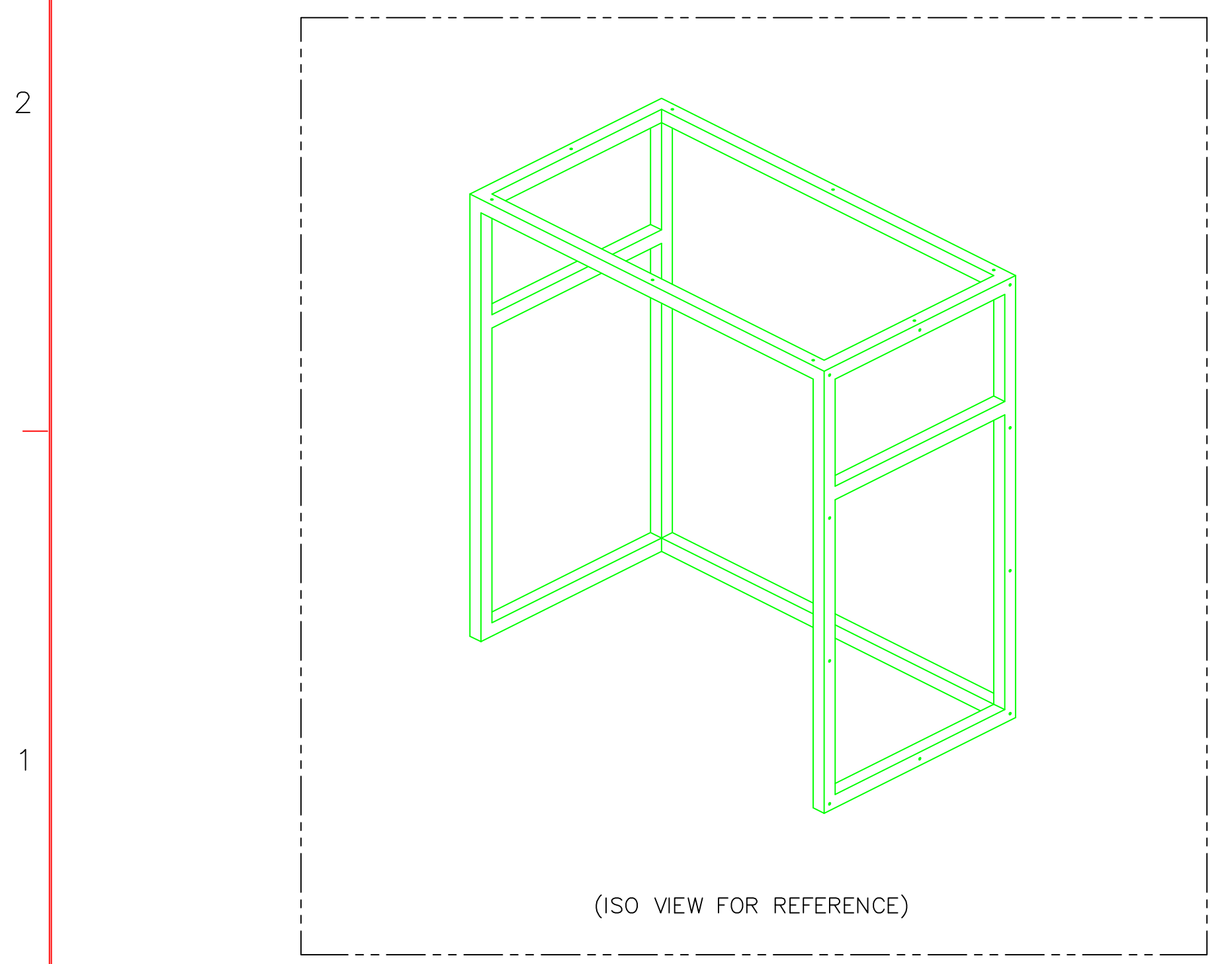


REVISIONS				
LTR	REL DATE	DESCRIPTION	APPR	DATE
A		DCN E030398-00		



A



SECTION A  
SCALE: 1:1

UNLESS OTHERWISE SPECIFIED DIMENSIONS ARE INCHES TOLERANCES ON FRACTIONS DECIMALS ANGLES ± 1/16 ± .005 ± 1/2° BREAK ALL SHARP EDGES .005 TO .015 MAX. AND DEBURR	DRAWN IVANHOE P.	CC DESIGN DEVELOPMENT TORRANCE, CA. (310) 534-5620
	CHECKED	
MATERIAL 1 X 1 X 1/8" SQ. 6061-T6 ALUMINUM	DESIGN APPROVAL	TITLE BASE PLATE, MAIN
FINISH BLACK ANODIZE	PROJECT APPROVAL	SIZE DWG NO. D D980706 3263
SCALE .25 QTY 1 SHEET 1 OF 1		