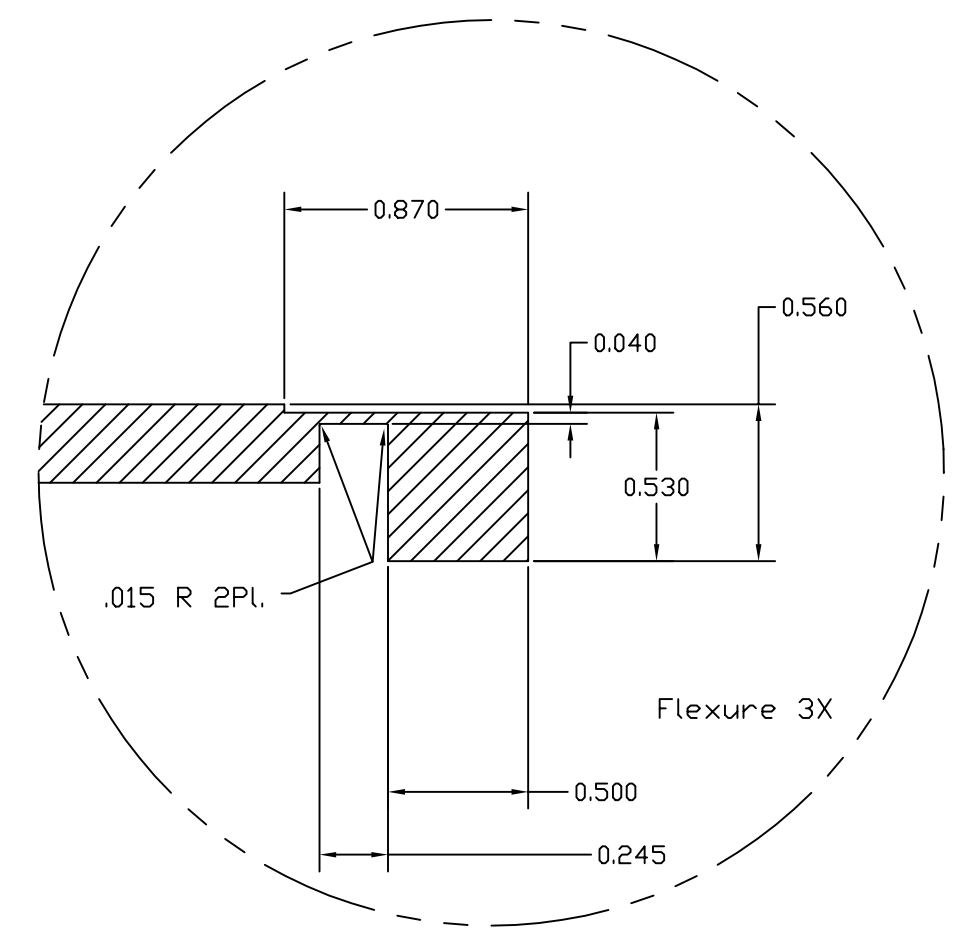
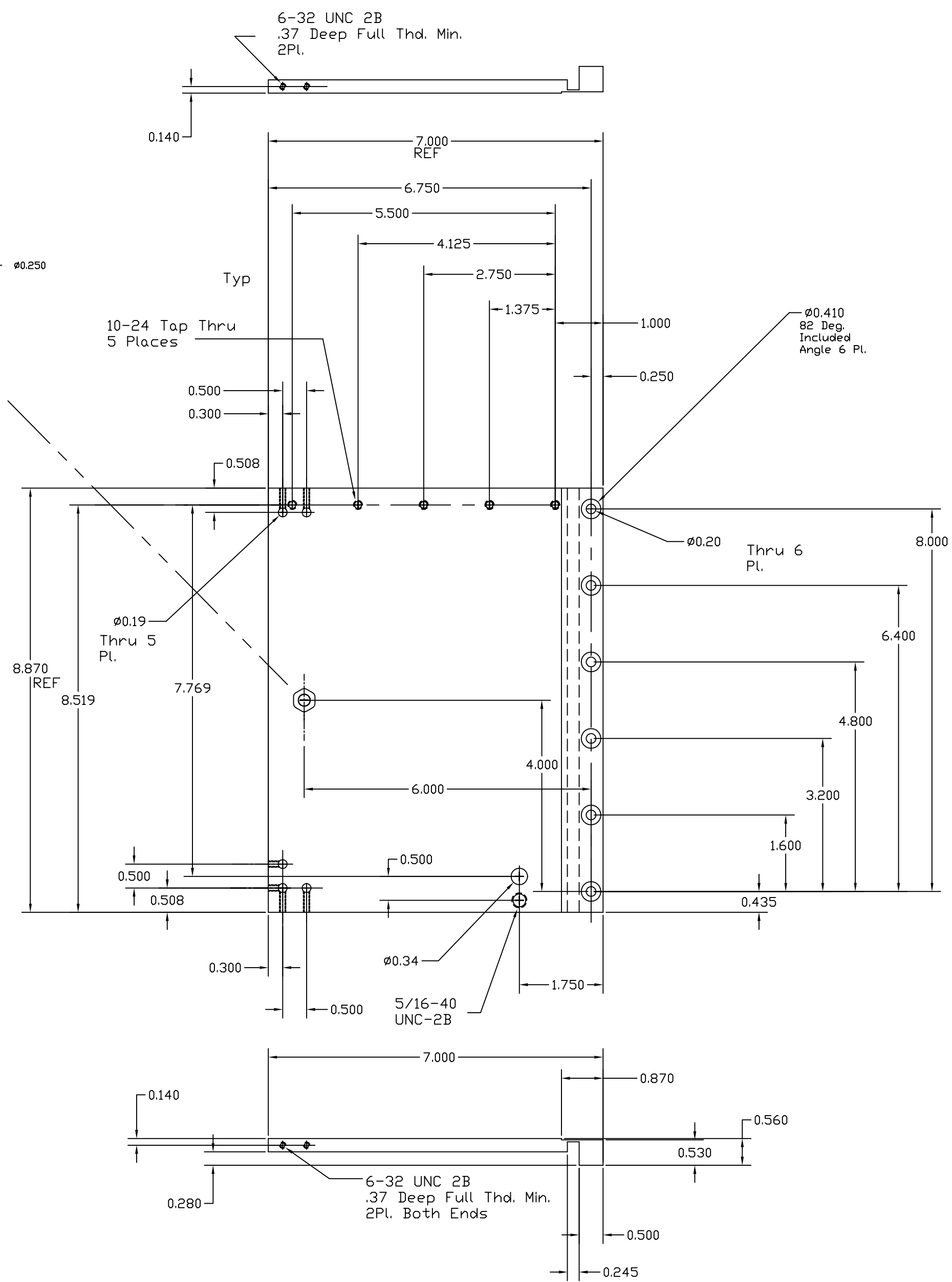
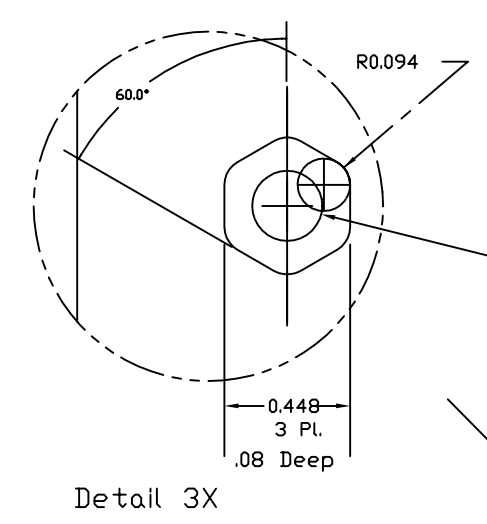


Contaminants/Machining lubricants
 Liquids containing hydrocarbons or other contaminants, other than the machining fluids specified herein, shall not be allowed to come into contact with suspension material at any time. All machining fluids shall be water soluble and free of sulfur, chlorine and silicone, such as Cincinnati Milacron's Cimtech 410 (stainless steel).

Identification/Serial Number
 A serial number shall be etched, or scribed on the part see note drawing note.

Serial Number Format
 The Serial number shall be of the format:
 D99xxxx-x-001

Example: D990021-A-001
 The drawing number, The revision number, The sequential part number



MARK PART NO. IN THIS APPROXIMATE LOCATION

6-32 UNC 2B
 .37 Deep Full Thd. Min.
 2Pl.

5/16-40
 UNC-2B

6-32 UNC 2B
 .37 Deep Full Thd. Min.
 2Pl. Both Ends

Make One Per Assembly

UNLESS OTHERWISE SPECIFIED				UNLESS OTHERWISE SPECIFIED								LIGO CALIFORNIA INSTITUTE OF TECHNOLOGY MASSACHUSETTS INSTITUTE OF TECHNOLOGY			
DIMENSIONS ARE IN INCHES				DIMENSIONS ARE IN INCHES								TITLE: Azimuth Flexure (P D Mirror)			
TOLERANCES:				TOLERANCES:								DATE			
FRACTIONAL # ---				THREE PLACE DECIMAL # .000								11/22/99			
ANGULAR # ---				FINISHED SURFACE RMS # 63								6/30/99			
ANGULAR/RADIUS # BEND # ---				BREAK CORNERS IN" ---								6/28/99			
TWO PLACE DECIMAL # .02				REMOVE ALL BURRS											
MATERIAL:				HEAT TREAT:				FINISH#				SCALE			
7075 T-6				None				None				Full			
USED ON: XXX				NEXT ASS'Y: XXX								D99040-D			
DESCRIPTION				DESCRIPTION				DESCRIPTION				SHEET			
REFERENCE DRAWINGS												D99040-D			