

NOTES: (UNLESS OTHERWISE SPECIFIED)
~~Liquid contaminants/Machining Lubricants~~
 Liquids containing hydrocarbons or other contaminants, other than the machining fluids specified herein, shall not be allowed to come into contact with suspension material at any time. All machining fluids shall be water soluble and free of sulfur, chlorine and silicone; such as Cincinnati Milacron's Cimtech 410 (stainless steel).

Identification Serial Number
 A serial number shall be etched, or scribed on the part see note drawing note.
 Serial Number Format
 The Serial number shall be of the format: D99xxxx-x-001

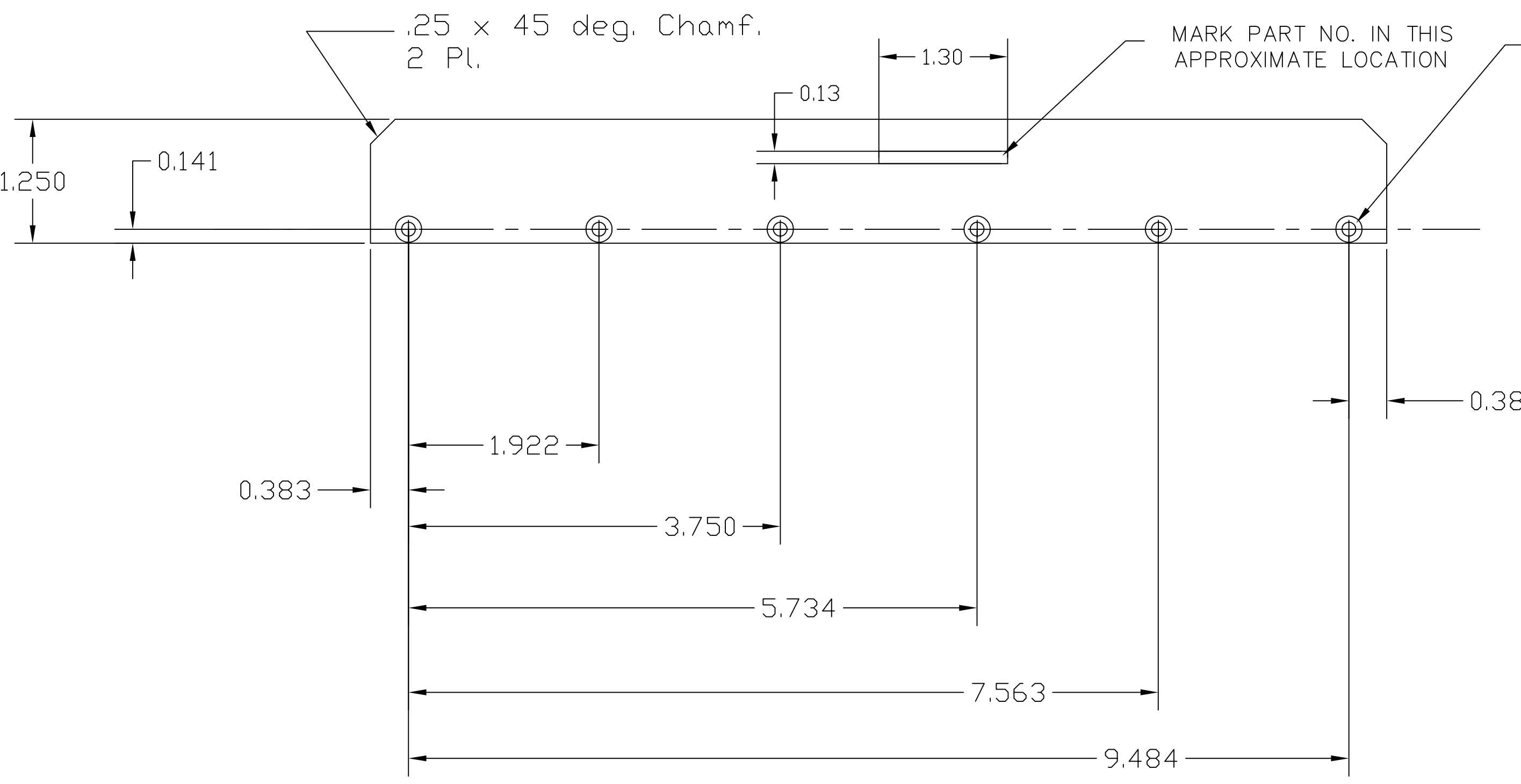
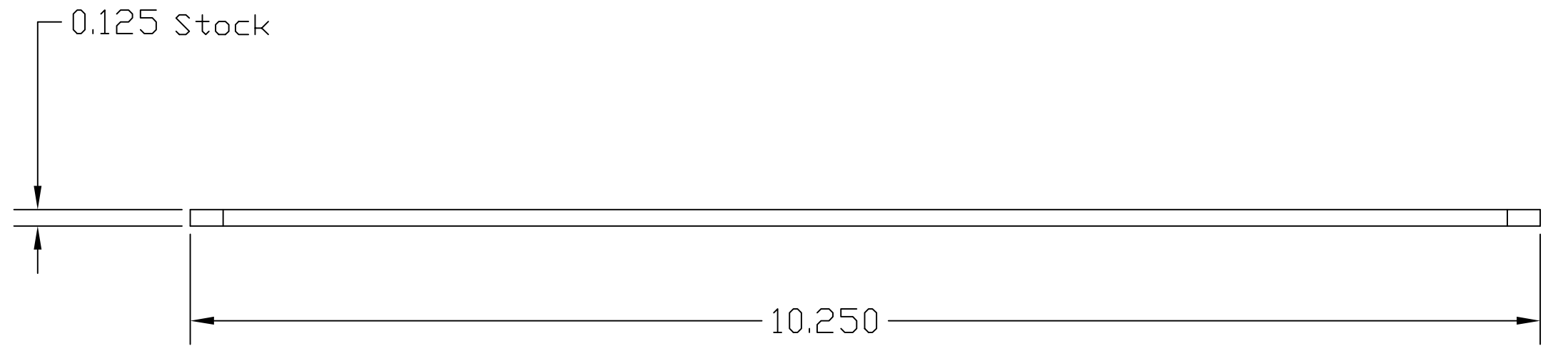
Example: D990021-A-001
 The drawing number, The revision number, The sequential part number

D

c

B

A



MARK PART NO. IN THIS APPROXIMATE LOCATION

.140 (9/64) Drill Thru C'Sink .265 Dia. x 82 Deg. Included Angle 6 Pl.

Qty: Make 1 Total Per Assembly

3	-	-	-	-
2	-	-	-	-
1	-	-	-	-
REF	QTY	PART or DRWG No.	DESCRIPTION	MATERIAL

		UNLESS OTHERWISE SPECIFIED DIMENSIONS ARE IN INCHES								LIGO CALIFORNIA INSTITUTE OF TECHNOLOGY MASSACHUSETTS INSTITUTE OF TECHNOLOGY			
		TOLERANCES: FRACTIONAL ± --- ANGULAR ± ANGULAR MACH ± BEND ± --- TWO PLACE DECIMAL ± .02			THREE PLACE DECIMAL ± .008 FINISHED SURFACE RMS 63 BREAK CORNERS IN - - OUT - REMOVE ALL BURRS					c NAME CHANGE kenm 6/30/99		ELEVATION Axis Stiffner	
		MATERIAL: 300 Stainless Stl.			HEAT TREAT: None		FINISH: None			B FOR FABRICATION kenm 6/28/99			
XXX		XXX								00 PRE-RELEASE Ligo-E980321-00-D - - - kenm 3/2/99		CAD FILE D990042-C	
DWG. NO.		DESCRIPTION			USED ON: XXX					REV DESCRIPTION DCN NUMBER - APPR'D CHECK DRWN DATE		SIZE DWG. NO. D990042-C	
REFERENCE DRAWINGS		NEXT ASS'Y: XXX			ISSUE DESCRIPTION					SCALE: FULL		SHEET 1 of 1	