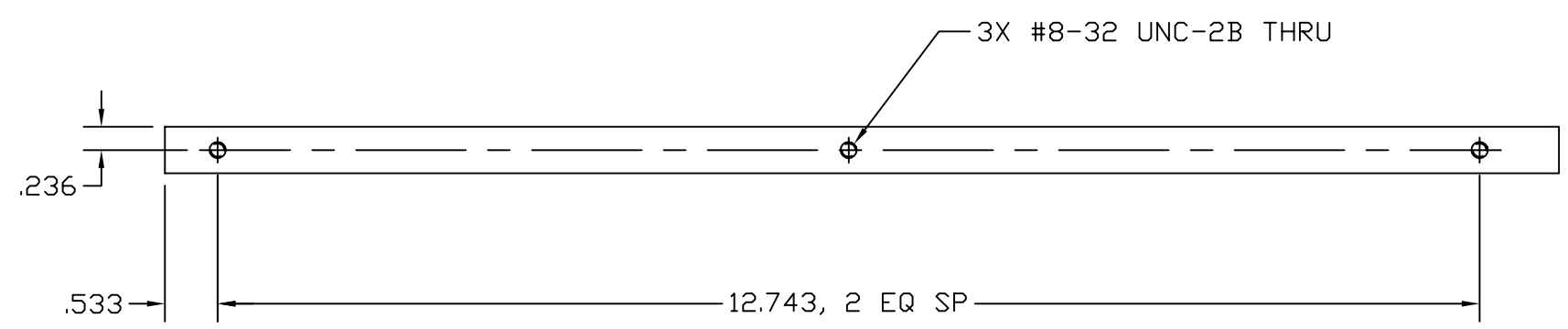
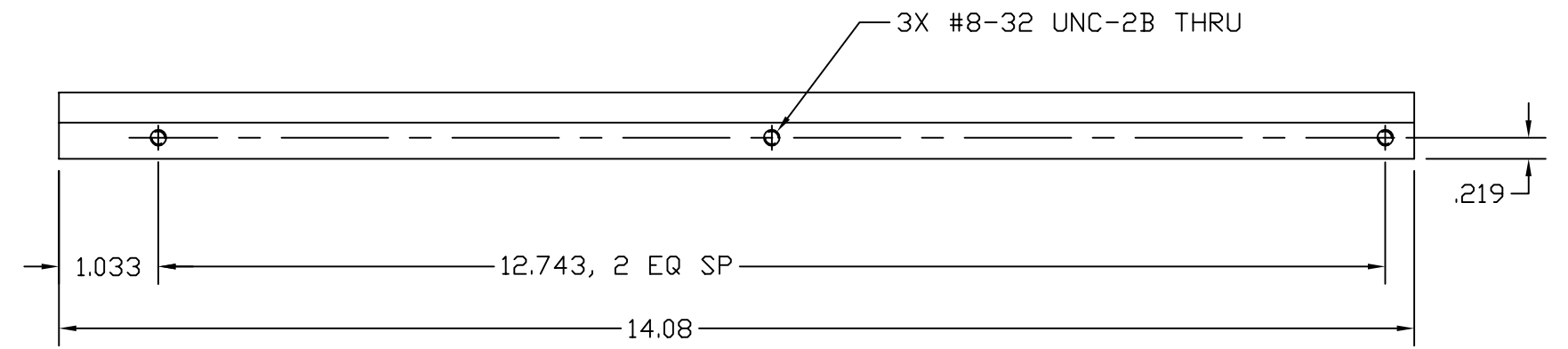
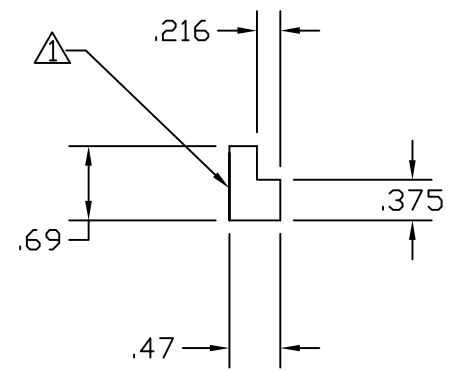


- NOTES: (UNLESS OTHERWISE SPECIFIED)
1. STAMP OR ENGRAVE SERIAL NUMBER ON NOTED FACE PER LIGO L970196.
 2. ALL MACHINING FLUIDS SHALL BE WATER SOLUBLE AND FREE OF SULFUR, CHLORINE, AND SILICONE.



		UNLESS OTHERWISE SPECIFIED DIMENSIONS ARE IN INCHES								LIGO CALIFORNIA INSTITUTE OF TECHNOLOGY MASSACHUSETTS INSTITUTE OF TECHNOLOGY				
		TOLERANCES: FRACTIONAL ± ANGULAR ± ANGULAR MACH ± BEND ± TWO PLACE DECIMAL ±.01		THREE PLACE DECIMAL ±.005 FINISHED SURFACE RMS BREAK CORNERS IN: OUT: .005-.010 REMOVE ALL BURRS						CAVITY BEAM DUMP GLASS RETAINING BRACKET, TOP RIGHT				
		MATERIAL: 6061-T6 ALU	HEAT TREAT:	FINISH:	A	DCN E990108			Conley	1-1-99	CAD FILE	D990087-Adwg	SIZE DWG. NO.	B D990087-A
DWG. NO.	DESCRIPTION	USED ON:	NEXT ASS'Y:	D990094	REV	DESCRIPTION	APPR'D	CHECK	DRWN	DATE	SCALE	NTS	SHEET	1 OF 1
REFERENCE DRAWINGS					ISSUE DESCRIPTION									