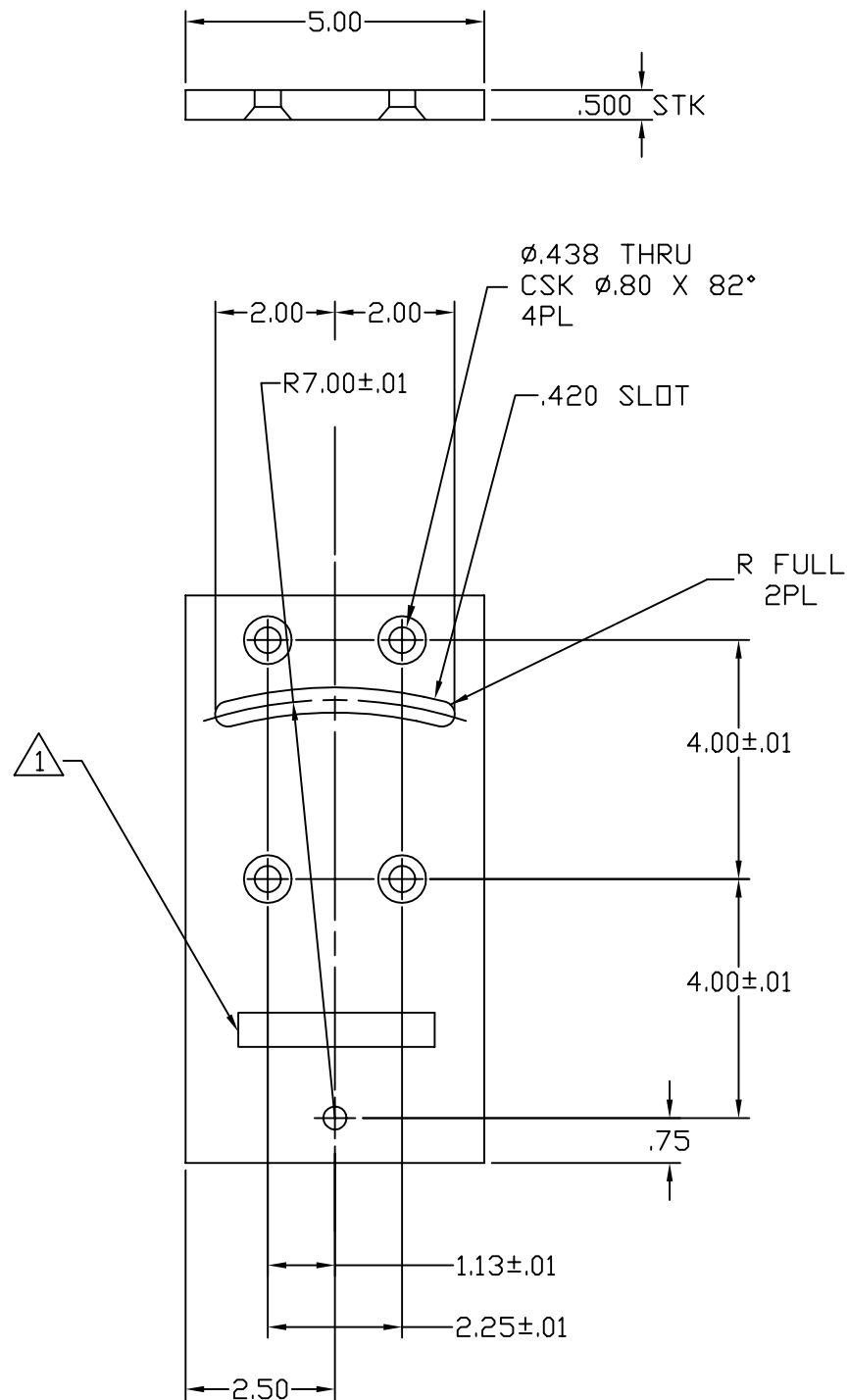


- NOTES: (UNLESS OTHERWISE SPECIFIED)
1. STAMP OR ENGRAVE SERIAL NUMBER ON NOTED FACE OF PART PER LIGO L970196.
 2. ALL MACHINING FLUIDS SHALL BE WATER SOLUBLE AND FREE OF SULFUR, CHLORINE, AND SILICONE.



		UNLESS OTHERWISE SPECIFIED DIMENSIONS ARE IN INCHES							LIGO CALIFORNIA INSTITUTE OF TECHNOLOGY MASSACHUSETTS INSTITUTE OF TECHNOLOGY		
		TOLERANCES: FRACTIONAL ± ANGULAR ± ANGULAR MACH ± BEND ± TWO PLACE DECIMAL ±.03		THREE PLACE DECIMAL ±.005 FINISHED SURFACE RMS BREAK CORNERS IN: OUT: .005-.010 REMOVE ALL BURRS						CAVITY BEAM DUMP HOUSING PLATE	
		MATERIAL: 6061-T6 ALU PLATE .500" THICK	HEAT TREAT:	FINISH:	A	DCN E990108	Conley	3-16-99	CAD FILE D990140-A.dwg	SIZE DWG. NO. B D990140-A	
DWG. NO.	DESCRIPTION	USED ON:	NEXT ASS'Y: D990141, D990142	REV	DESCRIPTION	APPR'D	CHECK	DRWN	DATE	SCALE	SHEET
	REFERENCE DRAWINGS				ISSUE DESCRIPTION					NTS	1 OF 1