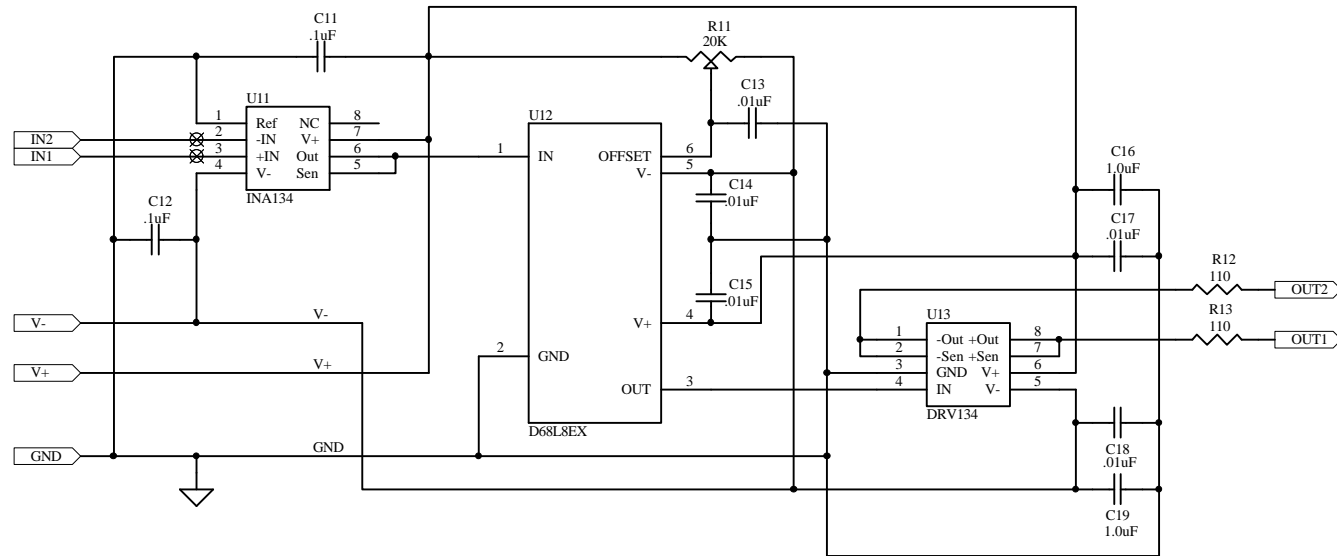
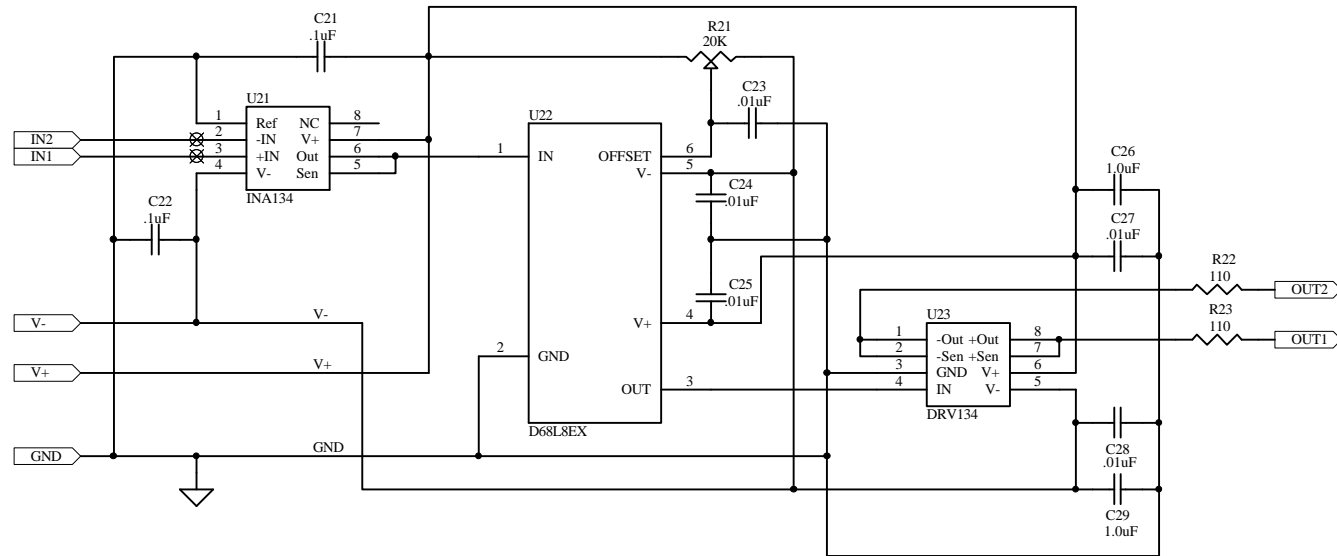


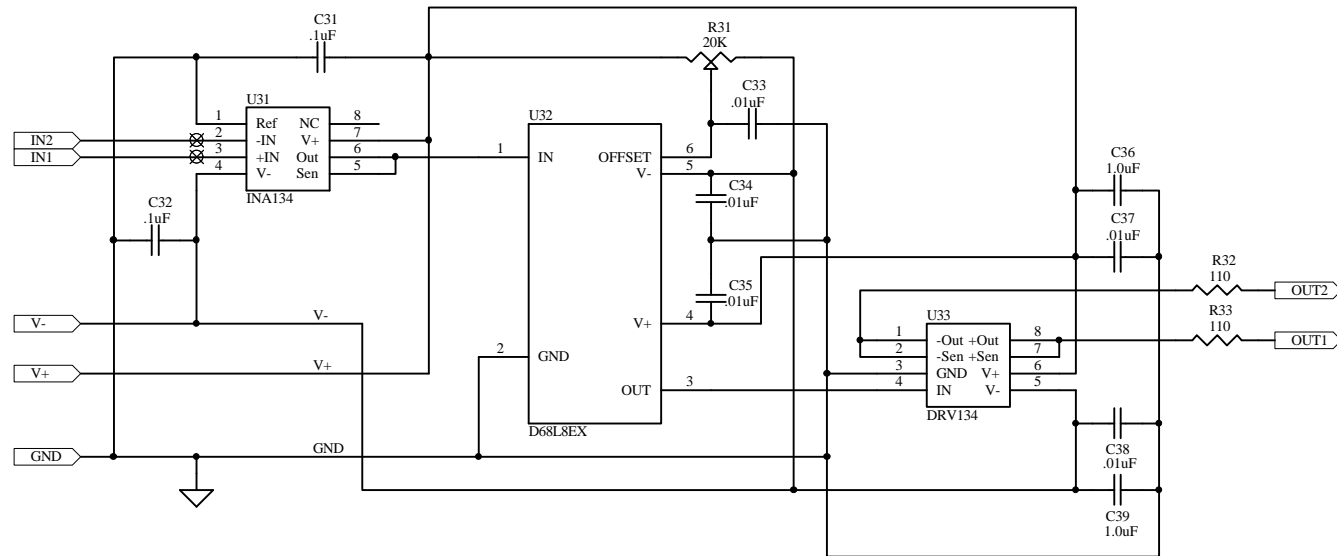
Title			ANTIALIASING FILTER - LEMO VERSION		
Size	Number	D990147-00-C		Revision	
A					
Date:	14-Jul-1999	Sheet of	2 of 33		
File:	C:\TEMP\ANTIALIS\LEMO\SCH\DAQFTR0166	Drawn by:	SANDER LIU		



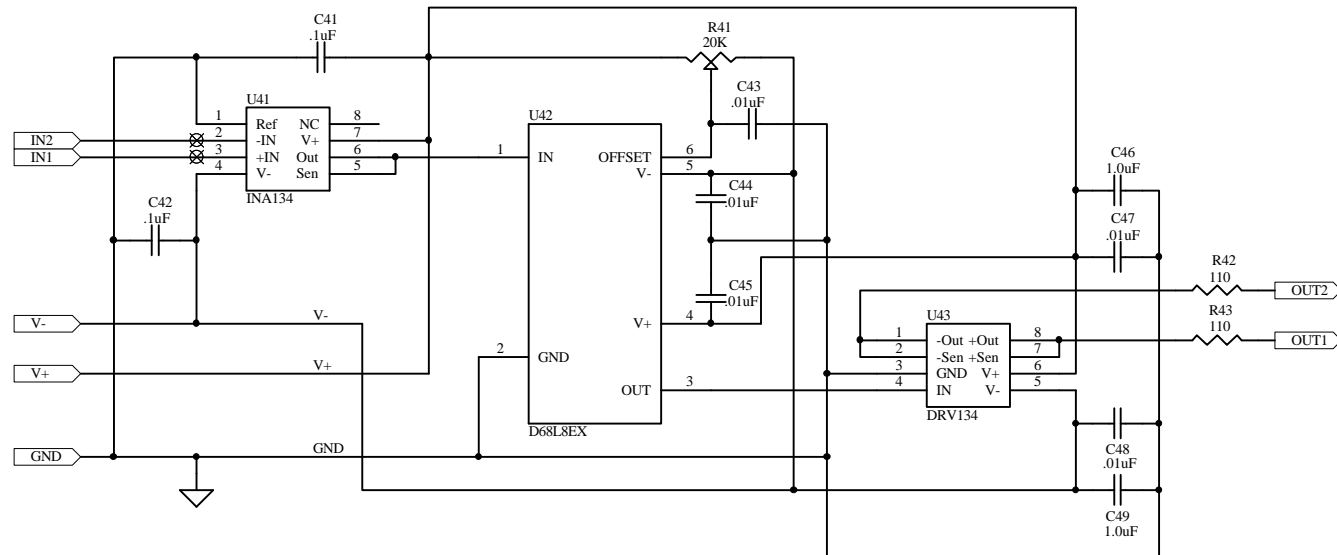
Title			ANTIALIASING FILTER - LEMO VERSION		
Size	Number	D990147-00-C		Revision	
A					
Date:	14-Jul-1999	Sheet of	3 OF 33		
File:	C:\TEMP\ANTIALIS\LEMO\SCH\DAQF100661	Drawn by:	SANDER LIU		



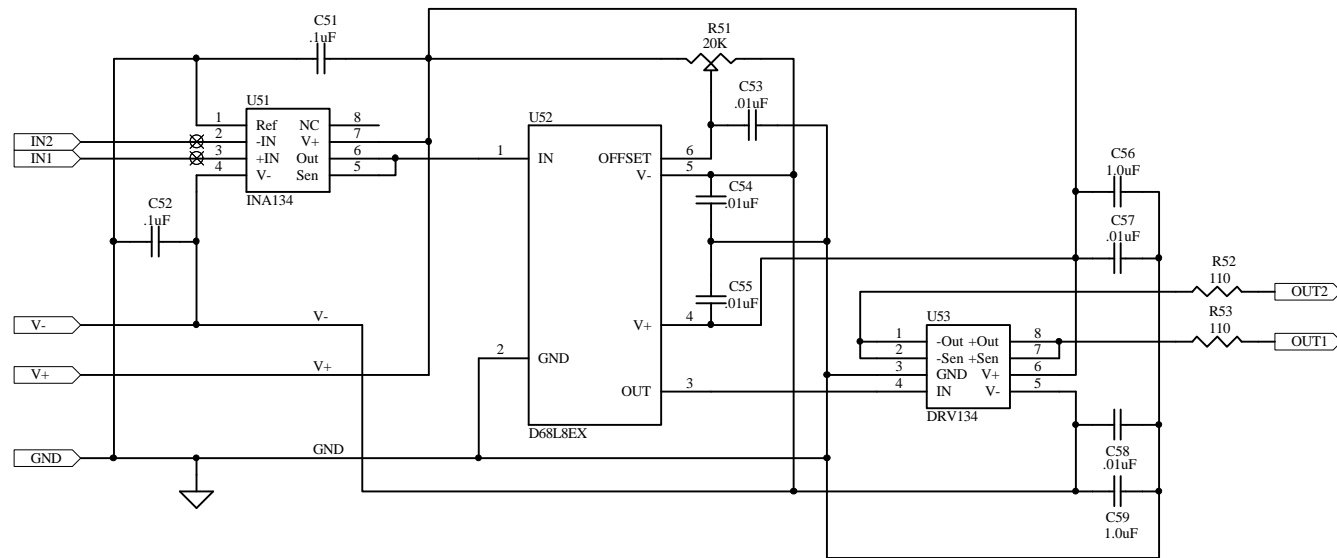
Title			ANTIALIASING FILTER - LEMO VERSION		
Size	Number	D990147-00-C		Revision	
A					
Date:	14-Jul-1999	Sheet of	4 OF 33		
File:	C:\TEMP\ANTIALIS\LEMO\SCH\DAQF100661	Drawn by:	SANDER LIU		



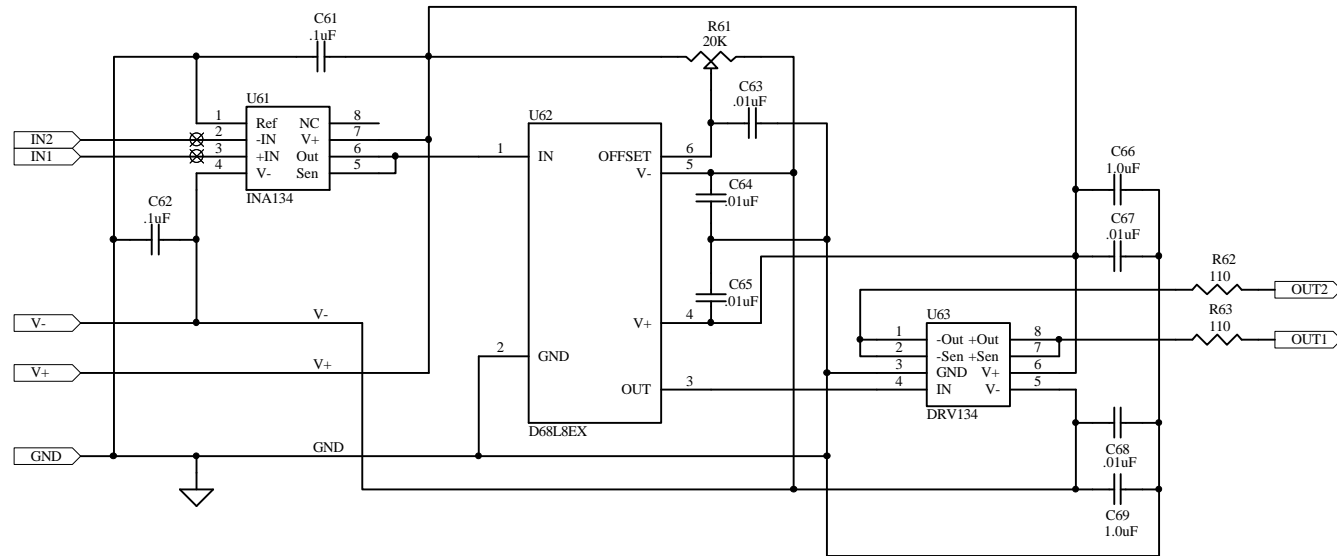
Title			ANTIALIASING FILTER - LEMOVERSION		
Size	Number	D990147-00-C		Revision	
A					
Date:	14-Jul-1999	Sheet of	5 OF 33		
File:	C:\TEMP\ANTIALIS\LEMO\SCH\DAQFTR04611	Drawn by:	SANDER LIU		



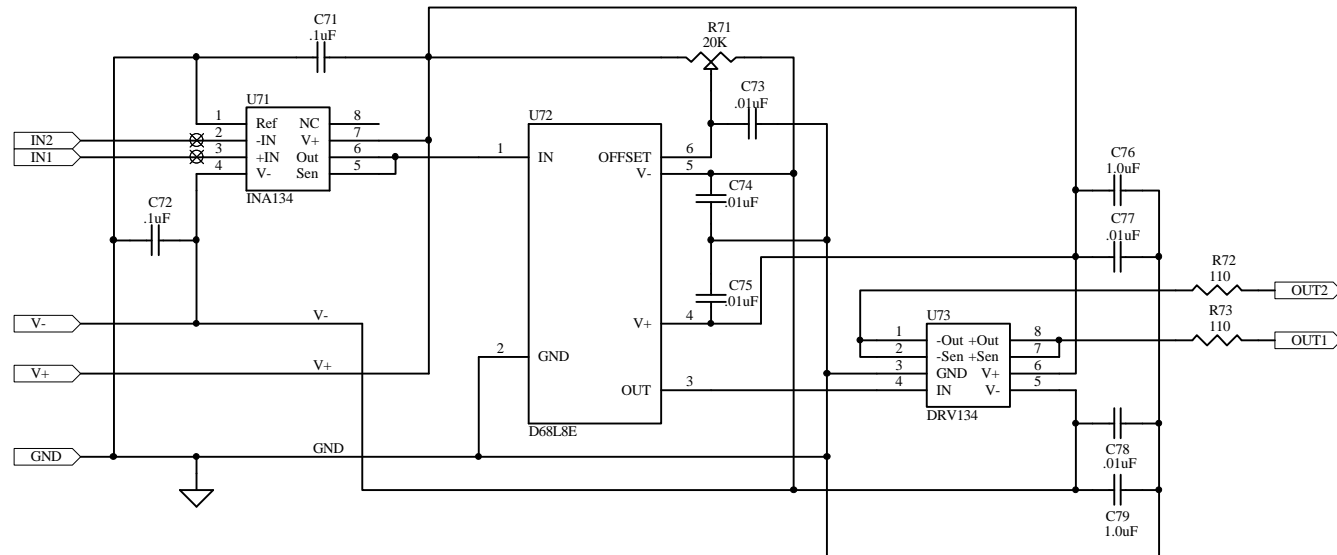
Title			ANTIALIASING FILTER - LEMOVERSION		
Size	Number	D990147-00-C		Revision	
A					
Date:	14-Jul-1999	Sheet of	6 OF 33		
File:	C:\TEMP\ANTIALIS\LEMO\SCH\DAQFTR06601	By:	SANDER LIU		



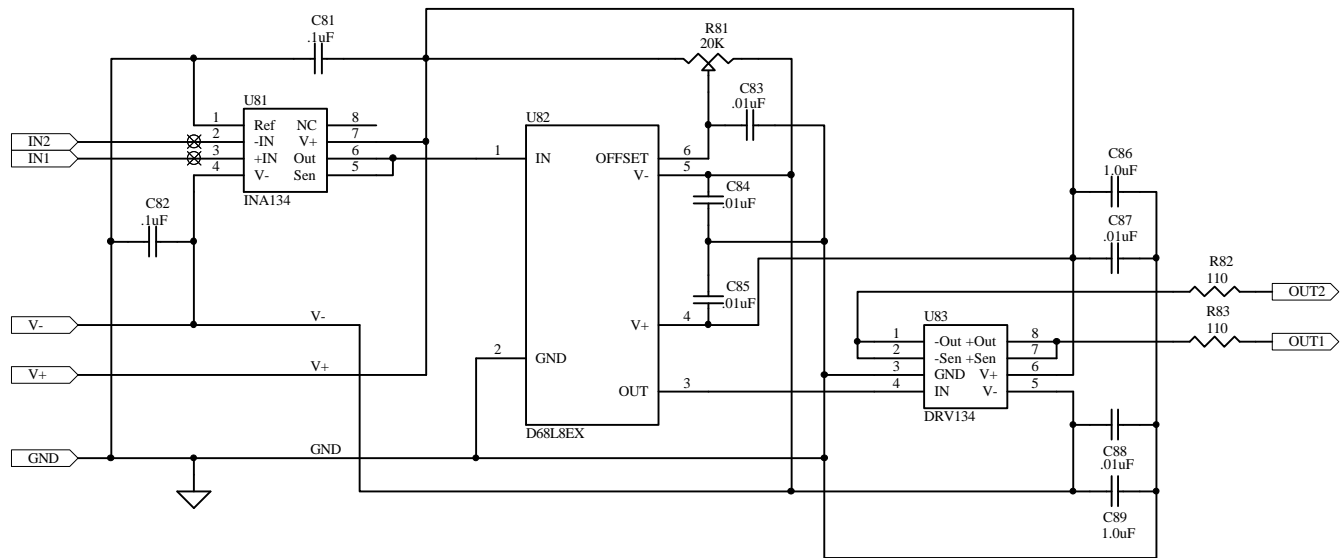
Title			ANTIALIASING FILTER - LEMO VERSION		
Size	Number	D990147-00-C		Revision	
A					
Date:	14-Jul-1999	Sheet of	7 OF 33		
File:	C:\TEMP\ANTIALIS\LEMO\SCH\DAQFTR0661	Drawn by:	SANDER LIU		



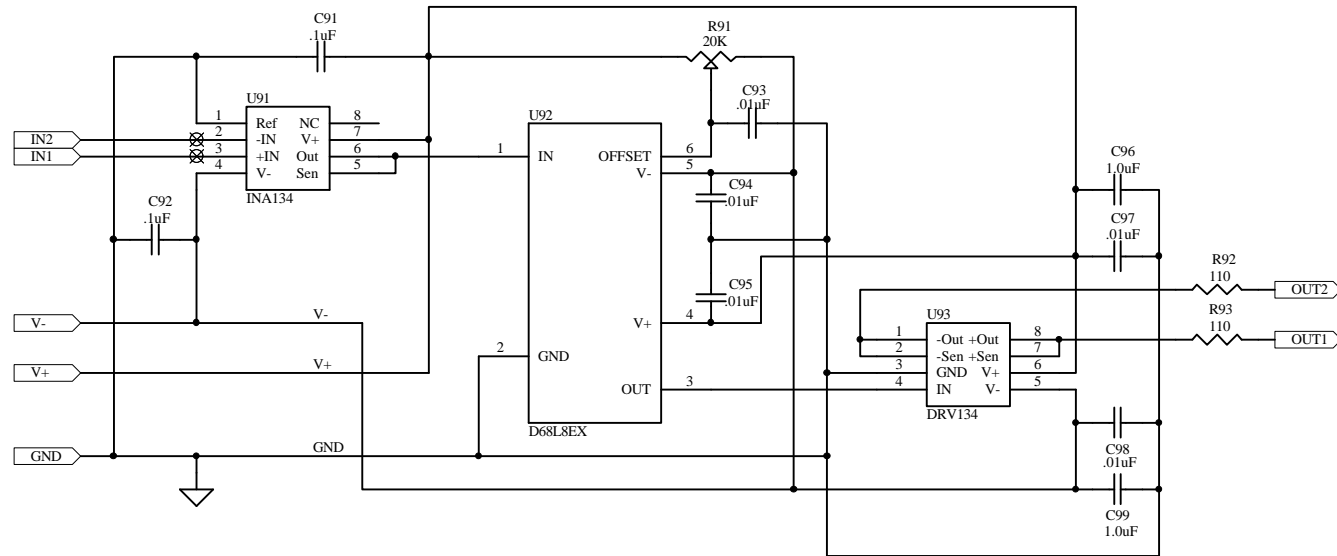
Title			ANTIALIASING FILTER - LEMO VERSION		
Size	Number	D990147-00-C		Revision	
A					
Date:	14-Jul-1999	Sheet of	8 OF 33		
File:	C:\TEMP\ANTIALIS\LEMO\SCH\DAQFTR0166	Drawn by:	SANDER LIU		



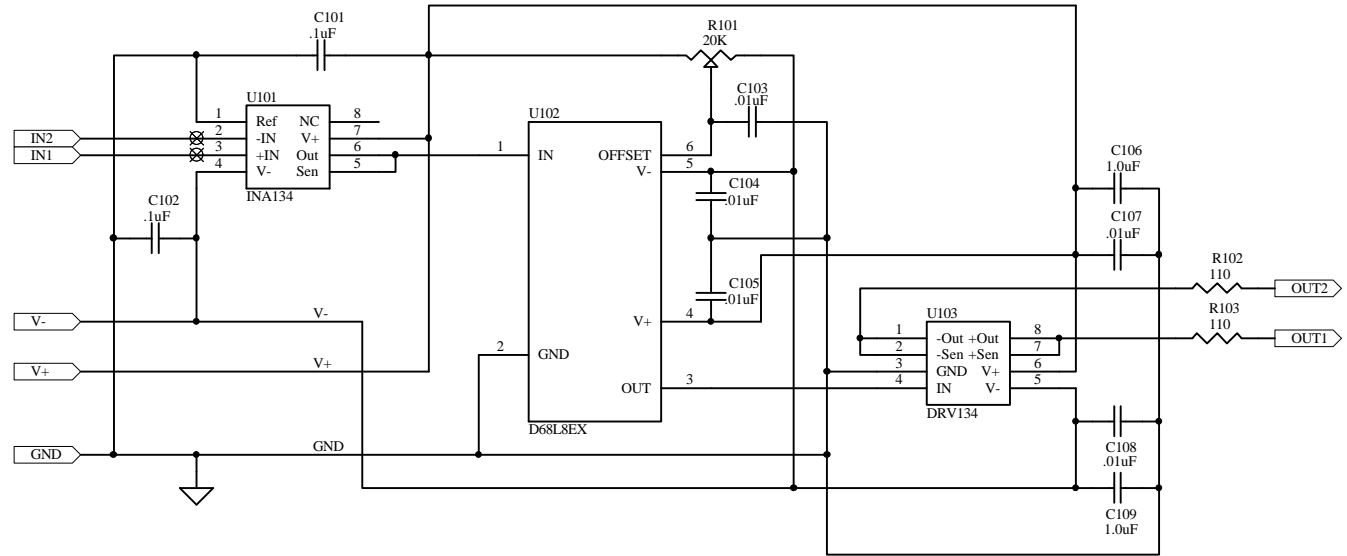
Title			ANTIALIASING FILTER - LEMO VERSION		
Size	Number	D990147-00-C		Revision	
A					
Date:	14-Jul-1999	Sheet of	9 OF 33		
File:	C:\TEMP\ANTIALIS\LEMO\SCH\DAQFTR008611	By:	SANDER LIU		



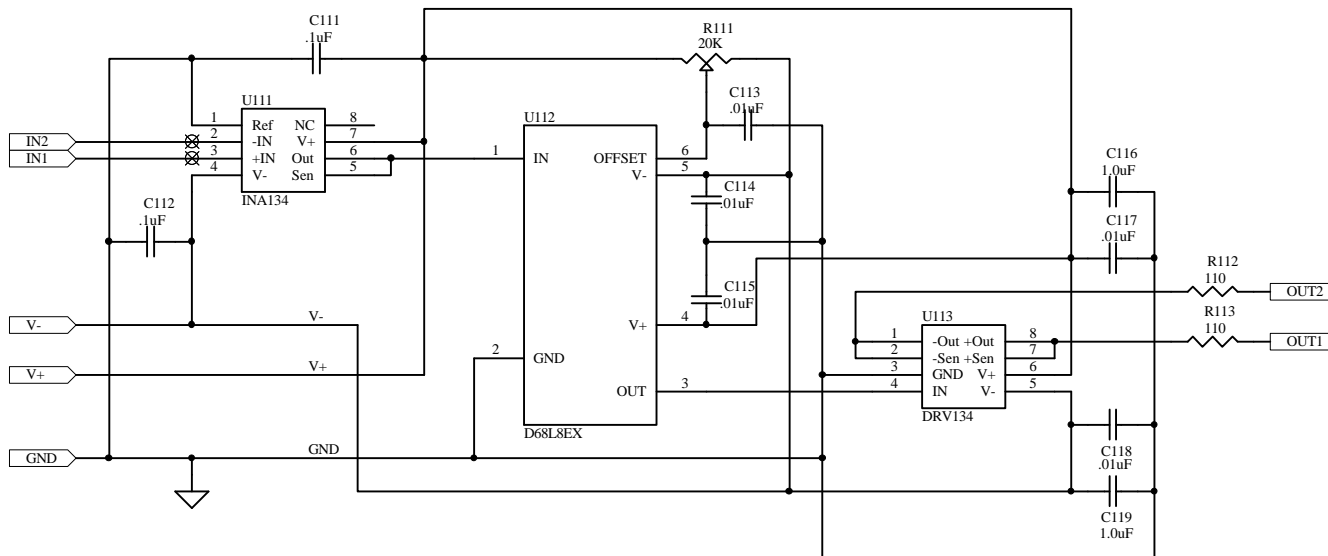
Title			ANTIALIASING FILTER - LEMO VERSION		
Size	Number	D990147-00-C		Revision	
A					
Date:	14-Jul-1999	Sheet of	10 OF 33		
File:	C:\TEMP\ANTIALIS\LEMO\SCH\DAQFTR0066	Drawn by:	SANDER LIU		



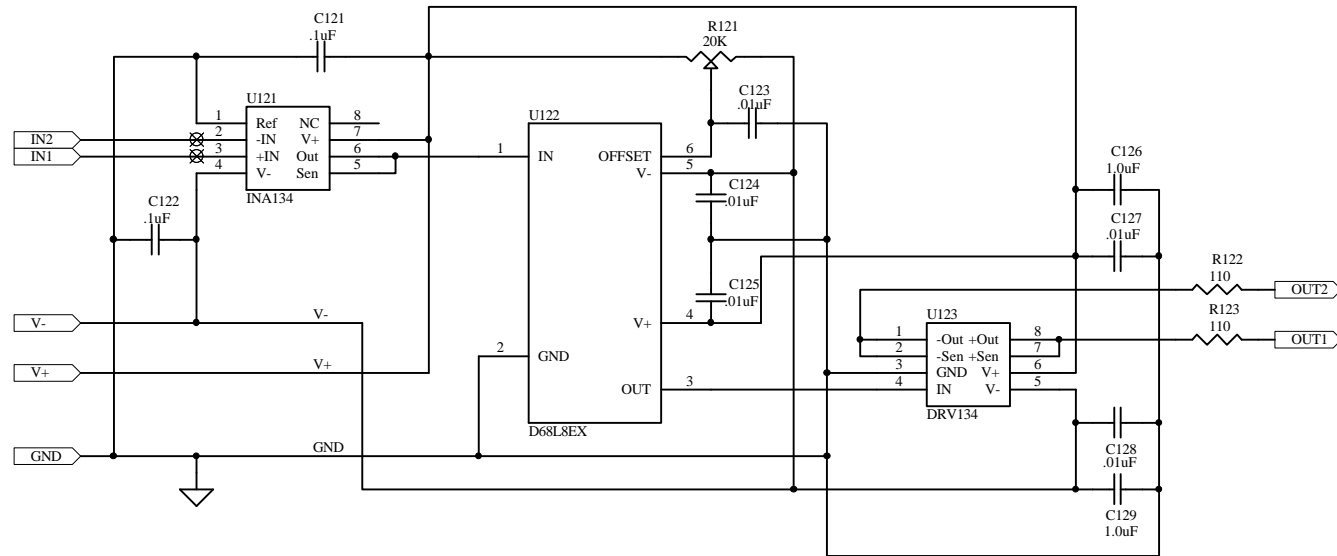
Title			ANTIALIASING FILTER - LEMO VERSION		
Size	Number	D990147-00-C		Revision	
A					
Date:	14-Jul-1999	Sheet of	11 OF 33		
File:	C:\TEMP\ANTIALIS\LEMO\SCH\DAQFTR0466	Drawn By:	SANDER LIU		



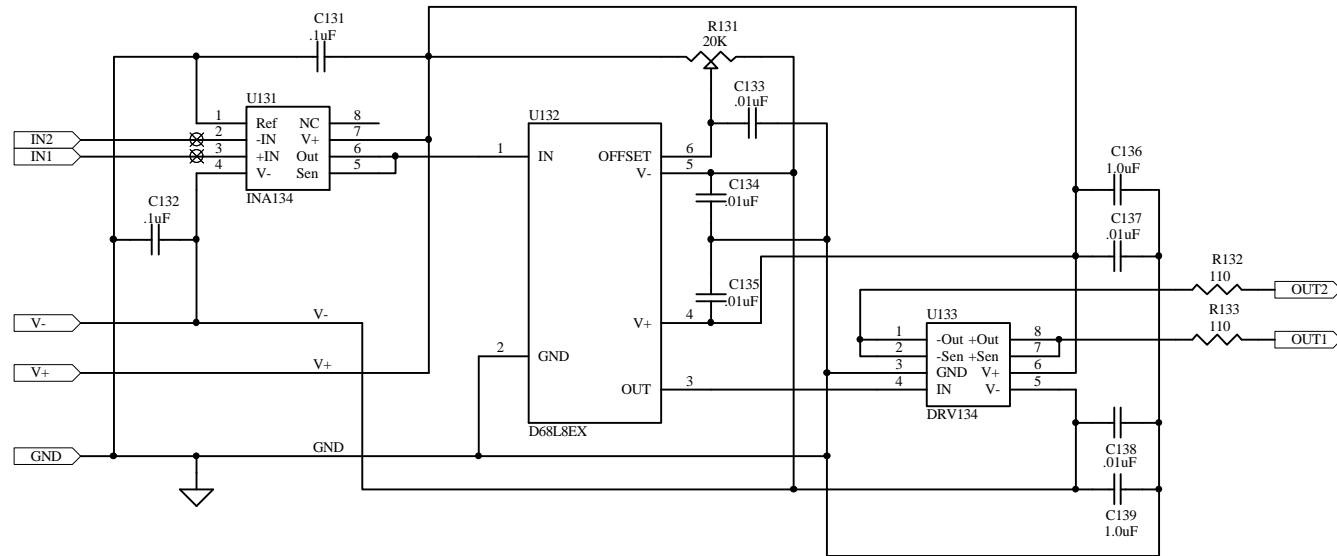
Title			ANTIALIASING FILTER - LEMO VERSION		
Size	Number	D990147-00-C		Revision	
A					
Date:	14-Jul-1999	Sheet of	12 OF 33		
File:	C:\TEMP\ANTIALIS\LEMO\SCH\DAQFTR0166	Drawn by:	SANDER LIU		



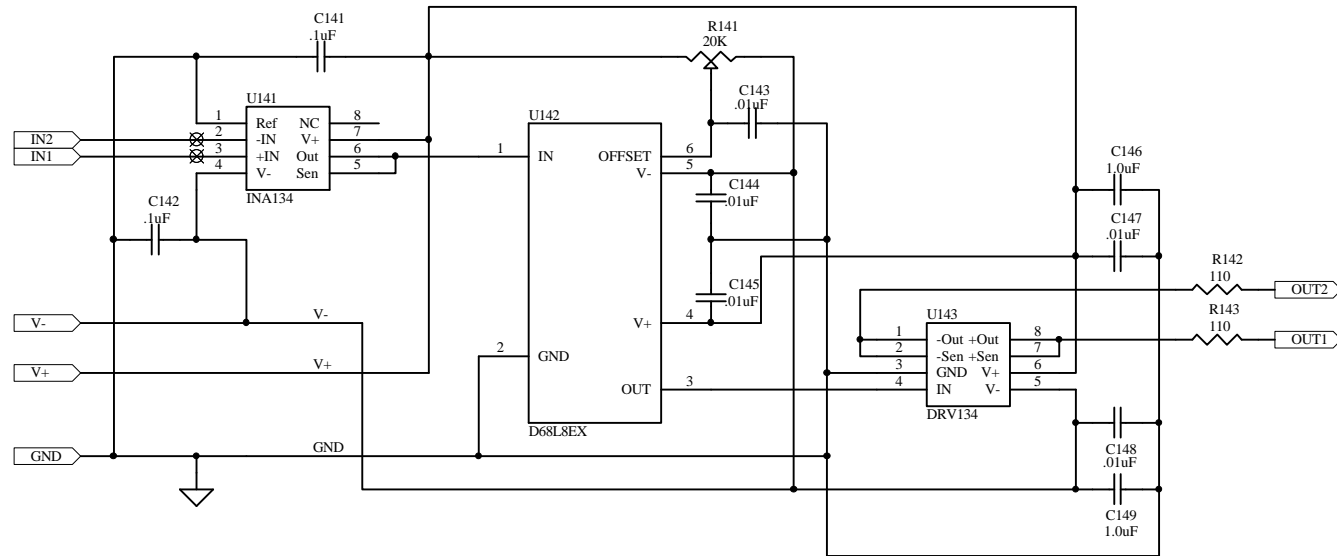
Title			
ANTIALIASING FILTER - LEMO VERSION			
Size	Number	Revision	
A	D990147-00-C		
Date:	14-Jul-1999	Sheet of	13 OF 33
File:	C:\TEMP\ANTIALIS\LEMO\SCH\DAQFTR.DWG	Drawn by:	SANDER LIU



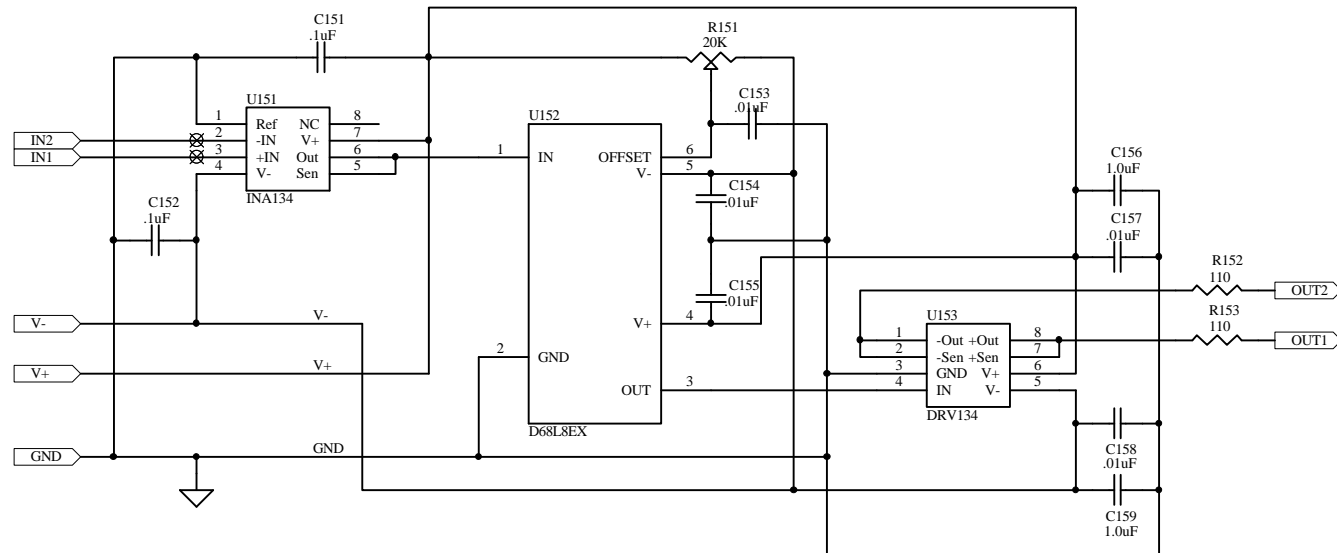
Title			ANTIALIASING FILTER - LEMO VERSION		
Size	Number	D990147-00-C		Revision	
A					
Date:	14-Jul-1999	Sheet of	14 OF 33		
File:	C:\TEMP\ANTIALIS\LEMO\SCH\DAQFTR0066	Drawn by:	SANDER LIU		



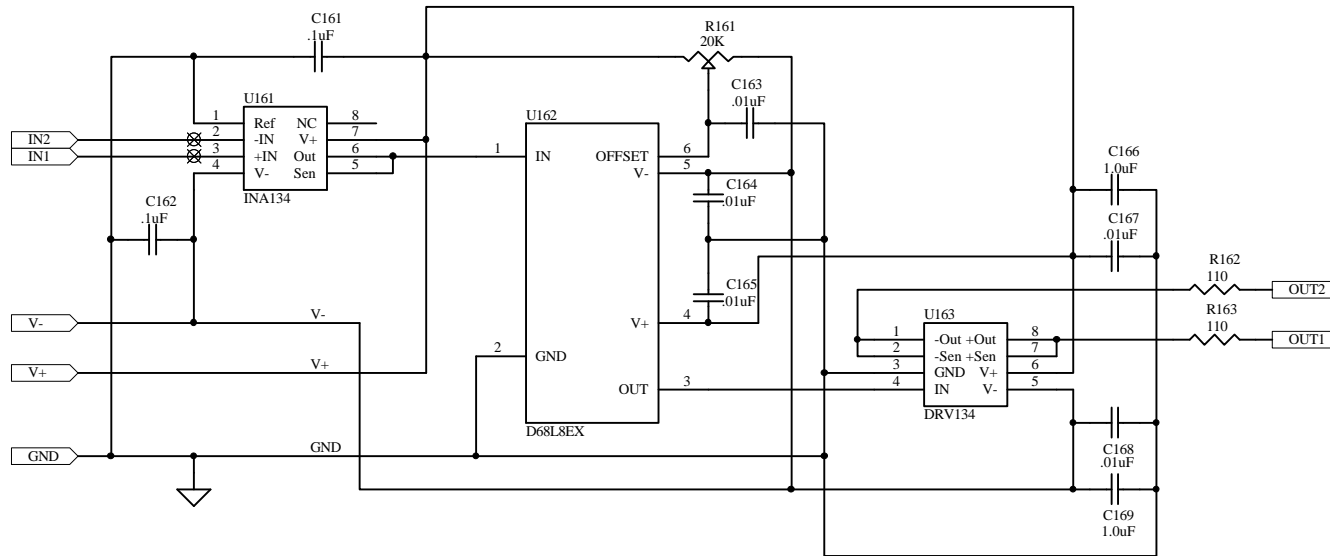
Title			ANTIALIASING FILTER - LEMO VERSION		
Size	Number	D990147-00-C		Revision	
A					
Date:	14-Jul-1999	Sheet of	15 OF 33		
File:	C:\TEMP\ANTIALIS\LEMO\SCH\DAQFTR0466	Drawn By:	SANDER LIU		



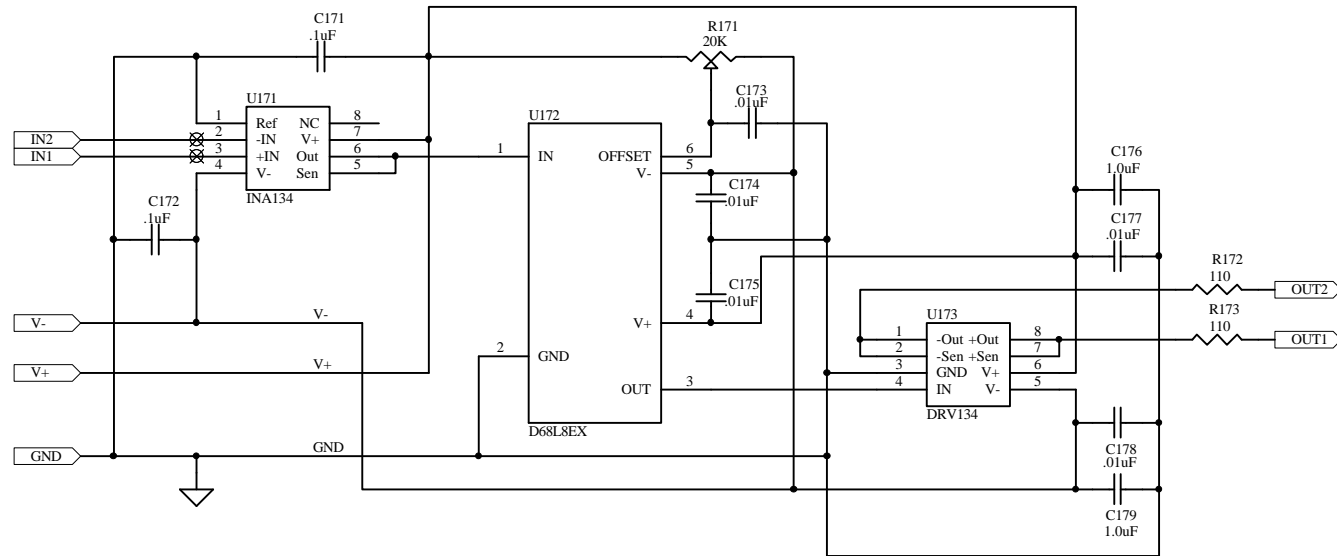
Title			ANTIALIASING FILTER - LEMO VERSION		
Size	Number	D990147-00-C		Revision	
A					
Date:	14-Jul-1999	Sheet of	16 OF 33		
File:	C:\TEMP\ANTIALIS\LEMO\SCH\DAQFTR0666	By:	SANDER LIU		



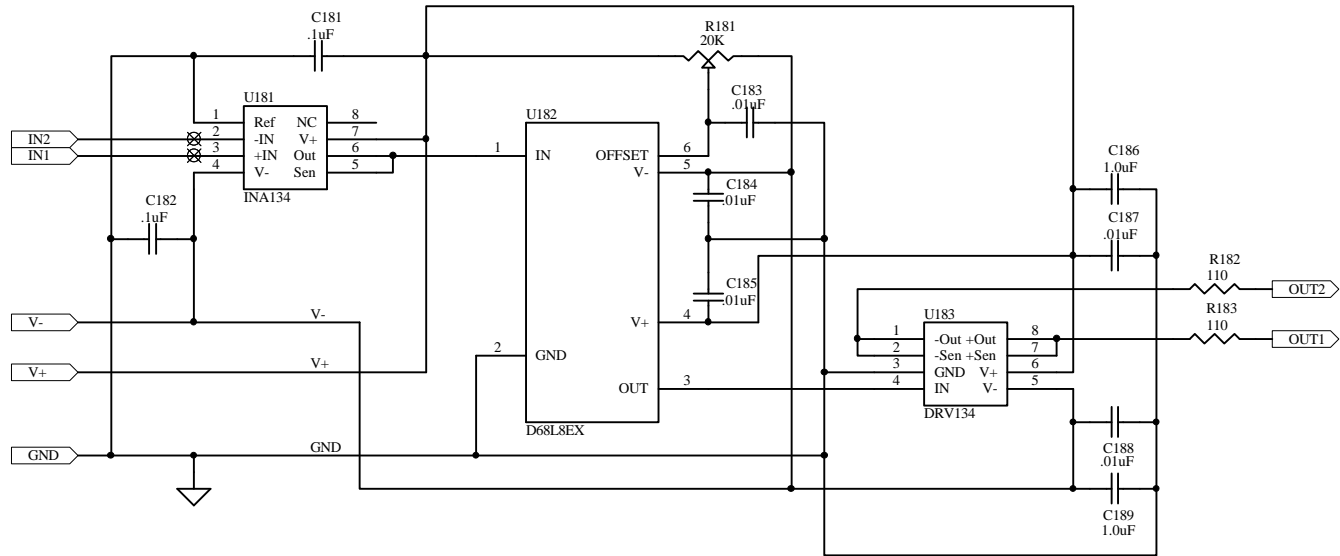
Title			ANTIALIASING FILTER - LEMO VERSION		
Size	Number	D990147-00-C		Revision	
A					
Date:	14-Jul-1999	Sheet of	17 OF 33		
File:	C:\TEMP\ANTIALIS\LEMO\SCH\DAQFTR0601.DWG	Drawn by:	SANDER LIU		



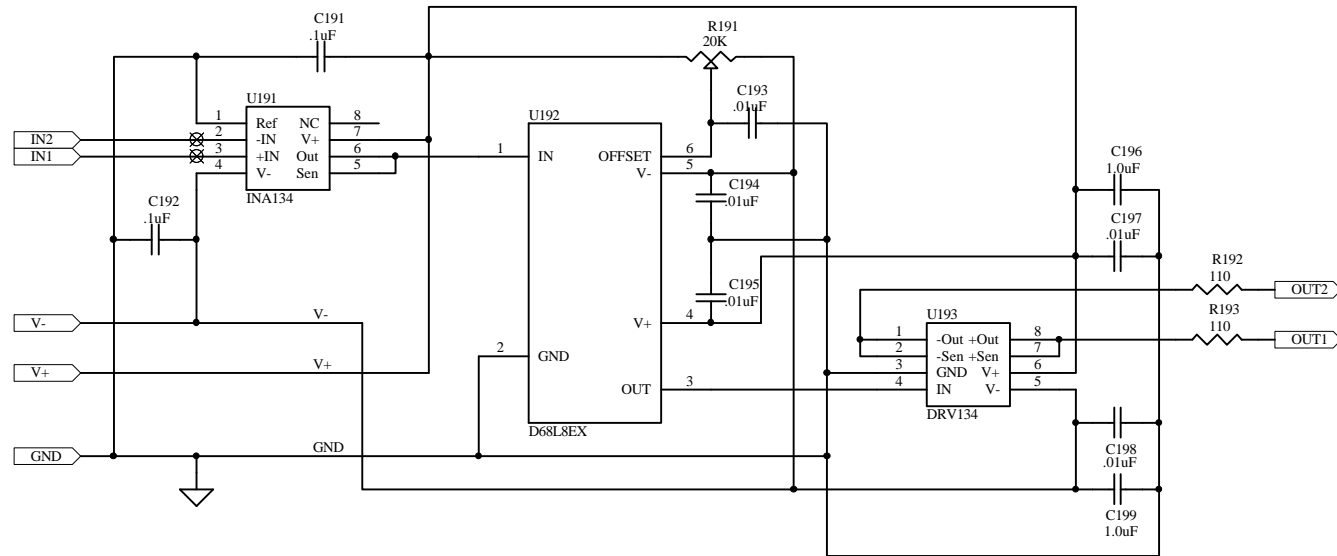
Title			ANTIALIASING FILTER - LEMO VERSION		
Size	Number	D990147-00-C		Revision	
A					
Date:	14-Jul-1999	Sheet of	18 OF 33		
File:	C:\TEMP\ANTIALIS\LEMO\SCH\DAQFTR0166	Drawn by:	SANDER LIU		



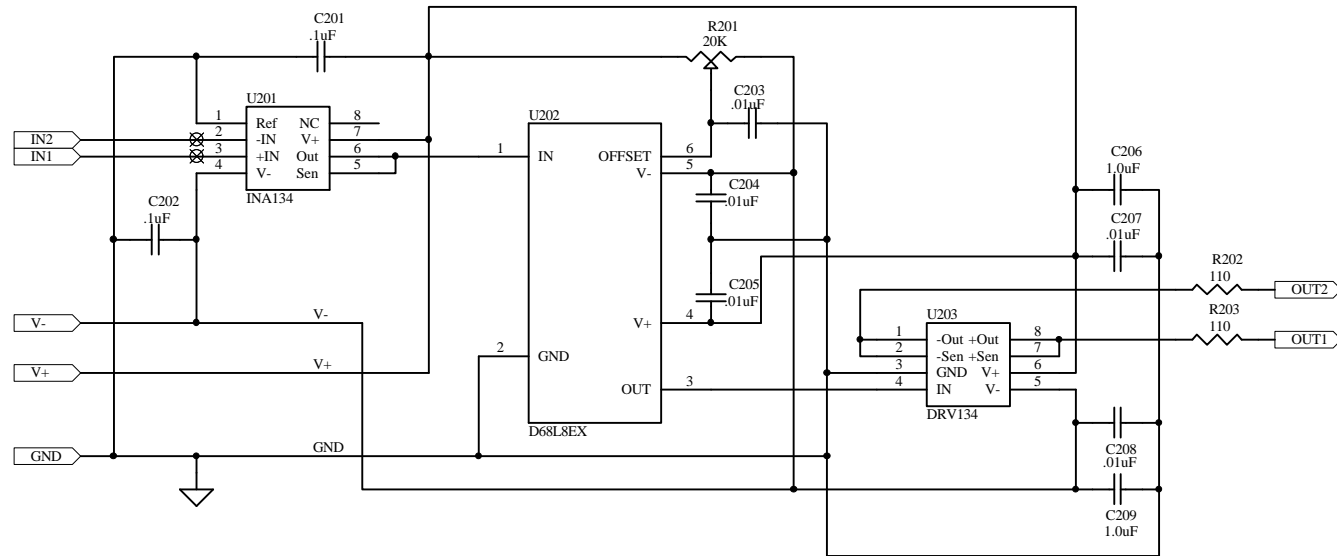
Title			ANTIALIASING FILTER - LEMO VERSION		
Size	Number	D990147-00-C		Revision	
A					
Date:	14-Jul-1999	Sheet of	19 OF 33		
File:	C:\TEMP\ANTIALIS\LEMO\SCH\DAQFTR0866	By:	SANDER LIU		



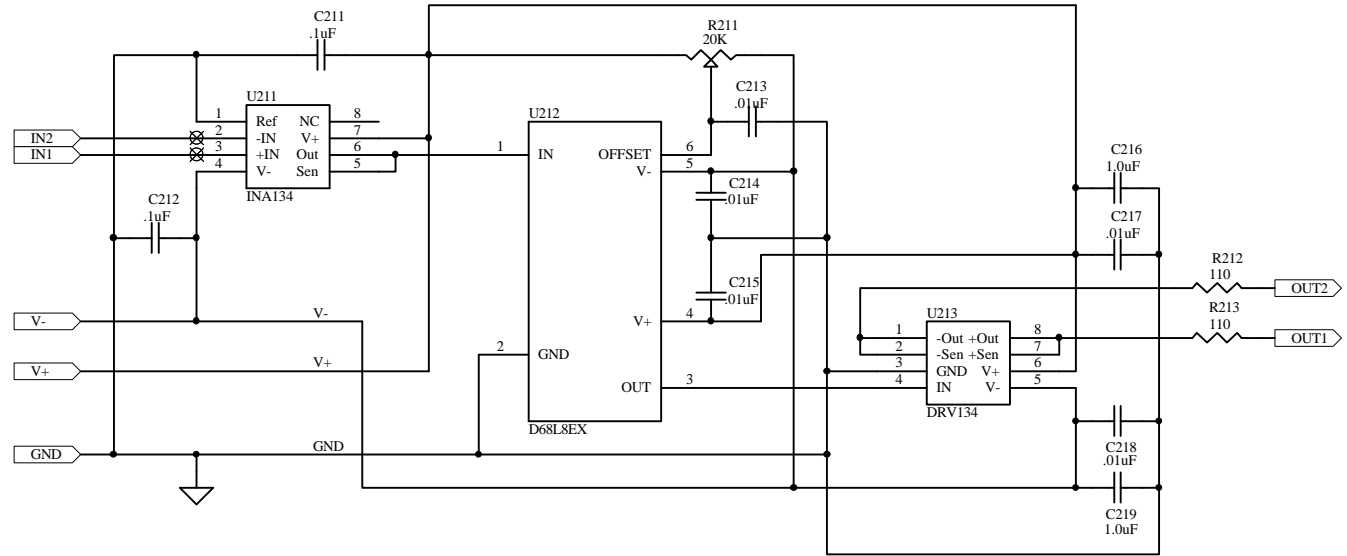
Title			ANTIALIASING FILTER - LEMO VERSION		
Size	Number	D990147-00-C		Revision	
A					
Date:	14-Jul-1999	Sheet of	20 OF 33		
File:	C:\TEMP\ANTIALIS\LEMO\SCH\DAQFTR	Drawn by:	SANDER LIU		



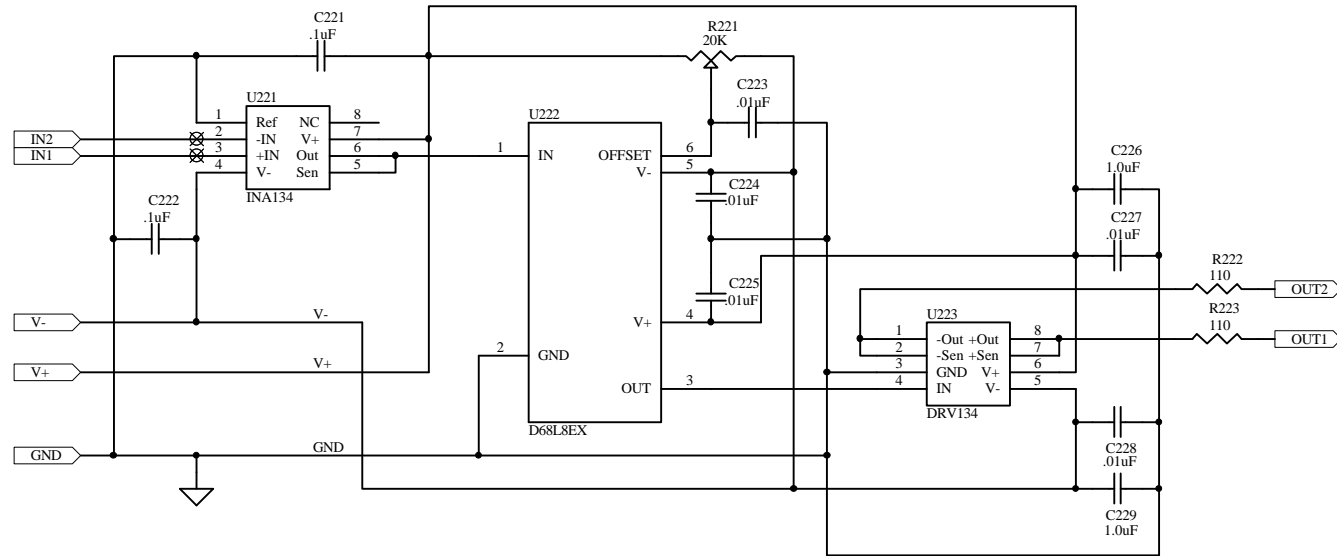
Title			ANTIALIASING FILTER - LEMO VERSION		
Size	Number	D990147-00-C		Revision	
A					
Date:	14-Jul-1999	Sheet of	21 OF 33		
File:	C:\TEMP\ANTIALIS\LEMO\SCH\DAQFTR	Drawn By:	SANDER LIU		



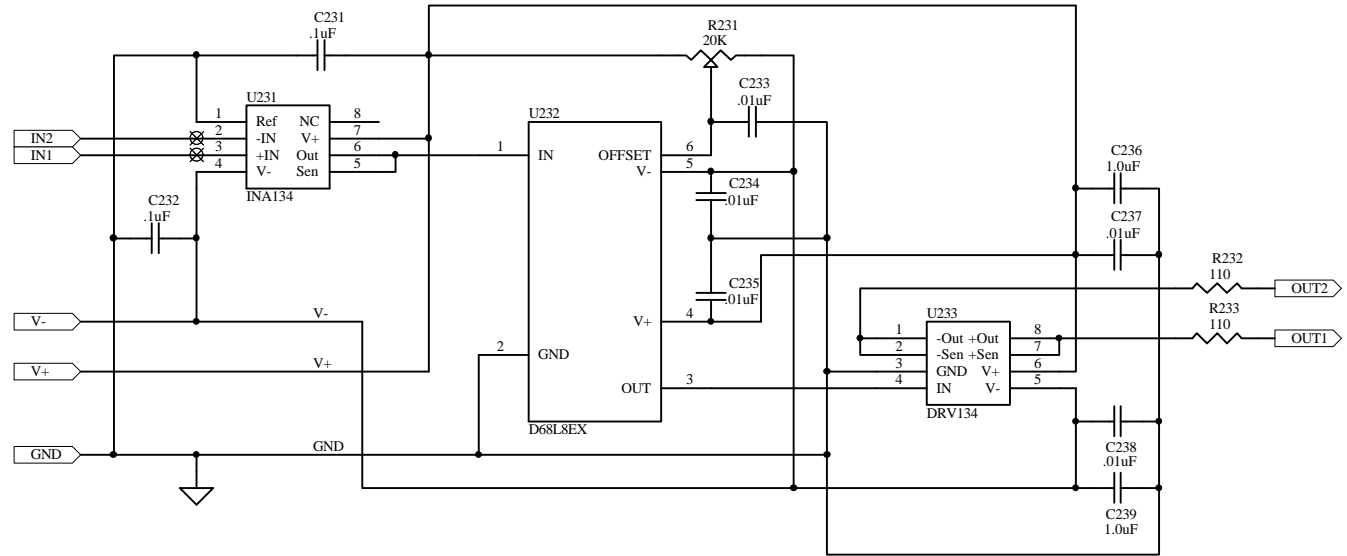
Title		
ANTI_ALIASING FILTER - LEMO VERSION		
Size	Number	Revision
A	D990147-00-C	
Date:	14-Jul-1999	Sheet of 22 OF 33
File:	C:\TEMP\ANTIALIS\LEMO\SCH\DAQFTR0166	By: SANDER LIU



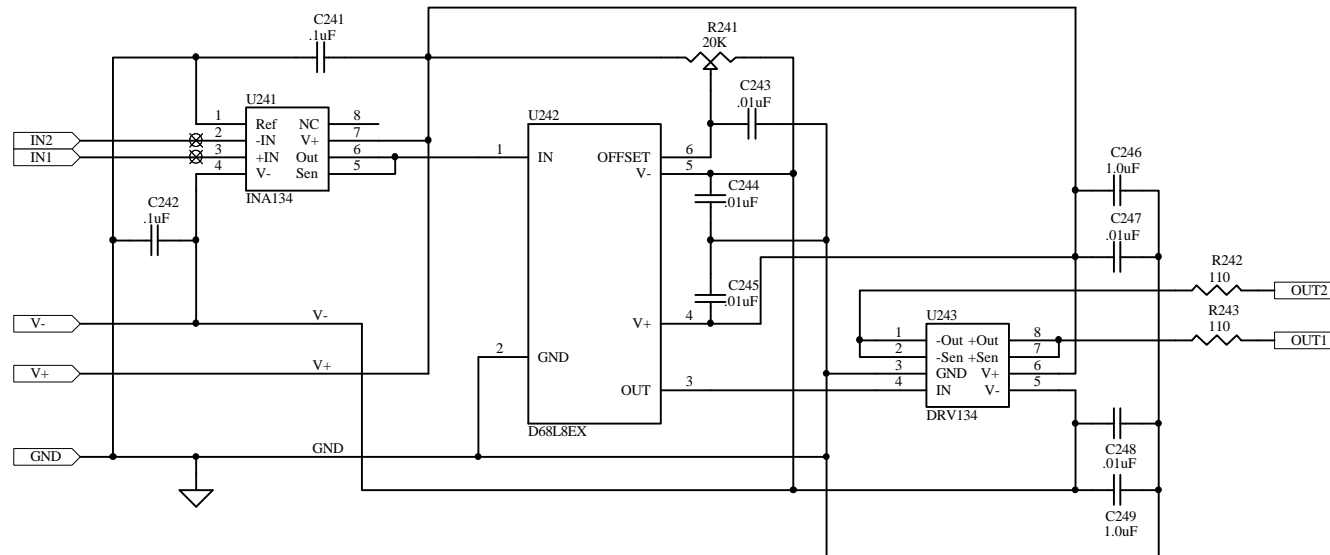
Title			ANTIALIASING FILTER - LEMO VERSION		
Size	Number	D990147-00-C		Revision	
A					
Date:	14-Jul-1999	Sheet of	23 OF 33		
File:	C:\TEMP\ANTIALIS\LEMO\SCH\DAQFTR0266	Drawn by:	SANDER LIU		



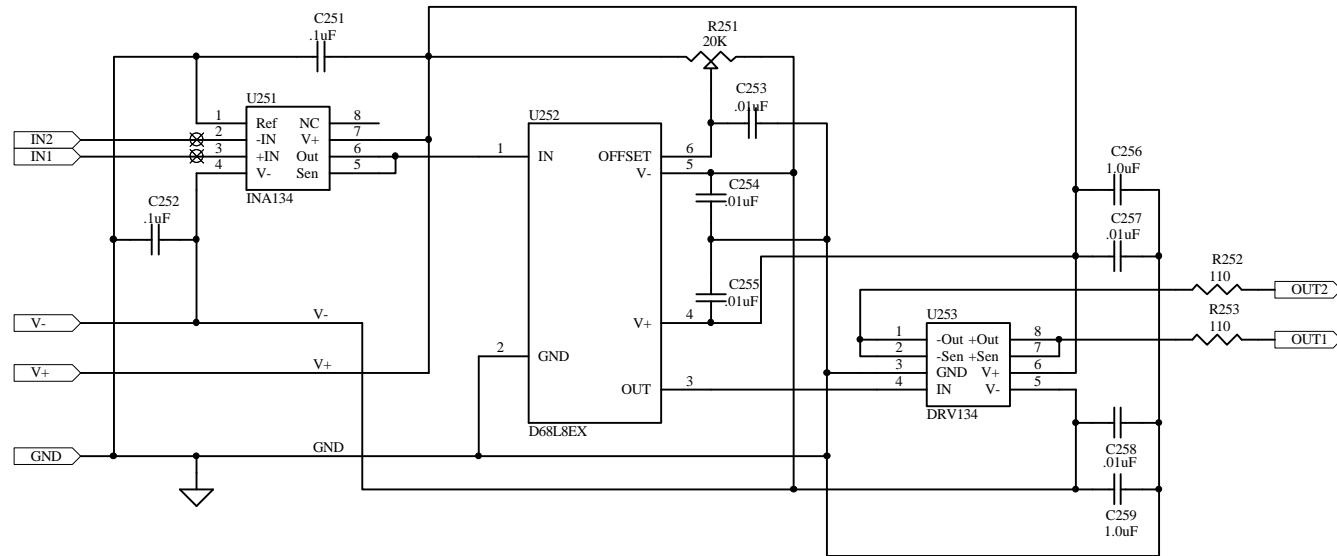
Title			ANTIALIASING FILTER - LEMO VERSION		
Size	Number	D990147-00-C		Revision	
A					
Date:	14-Jul-1999	Sheet of	24 OF 33		
File:	C:\TEMP\ANTIALIS\LEMO\SCH\DAQFTR2366	Drawn by:	SANDER LIU		



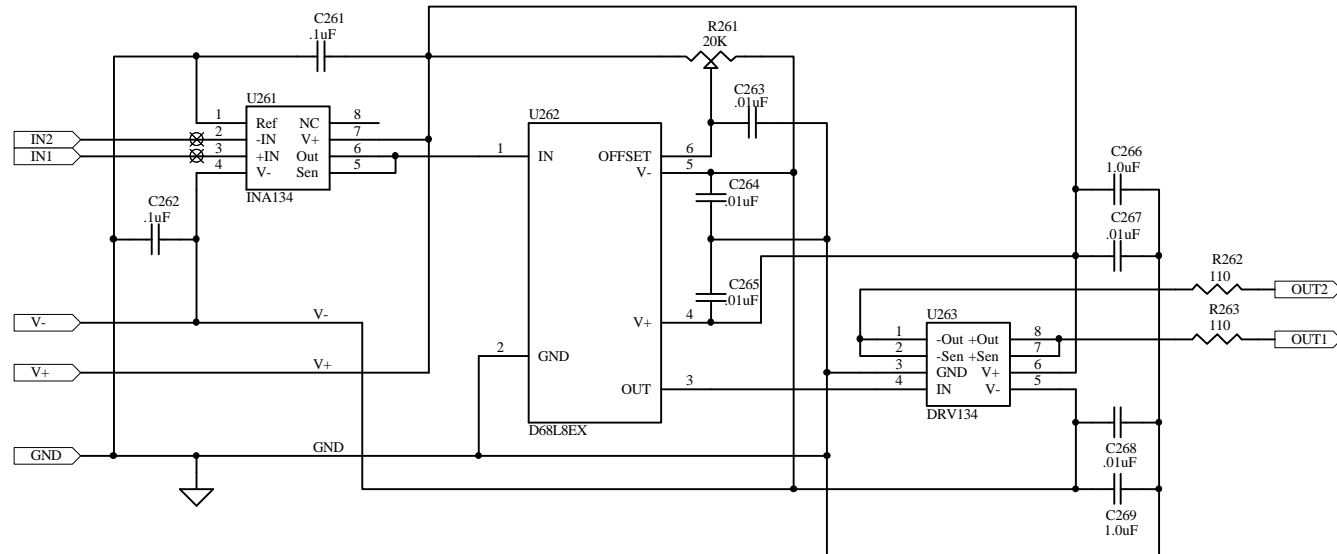
Title			ANTIALIASING FILTER - LEMO VERSION		
Size	Number	D990147-00-C		Revision	
A					
Date:	14-Jul-1999	Sheet of	25 OF 33		
File:	C:\TEMP\ANTIALIS\LEMO\SCH\DAQFTR24611	Drawn by:	SANDER LIU		



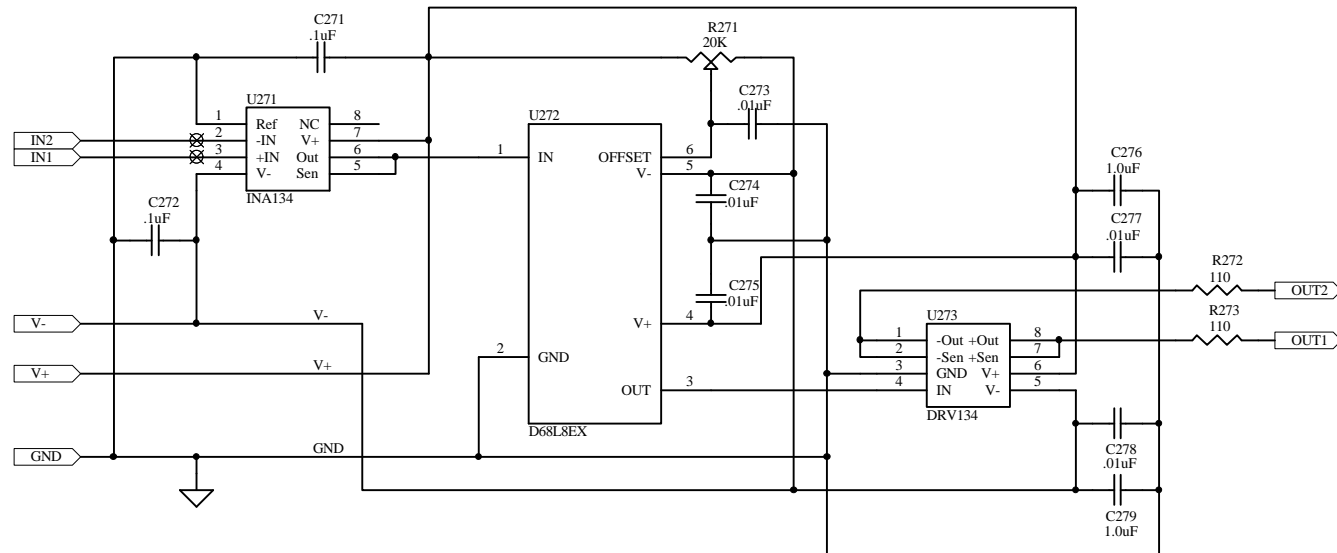
Title			ANTIALIASING FILTER - LEMO VERSION		
Size	Number	D990147-00-C		Revision	
A					
Date:	14-Jul-1999	Sheet of	26 of 33		
File:	C:\TEMP\ANTIALIS\LEMO\SCH\DAQFTR2561B	Drawn by:	SANDER LIU		



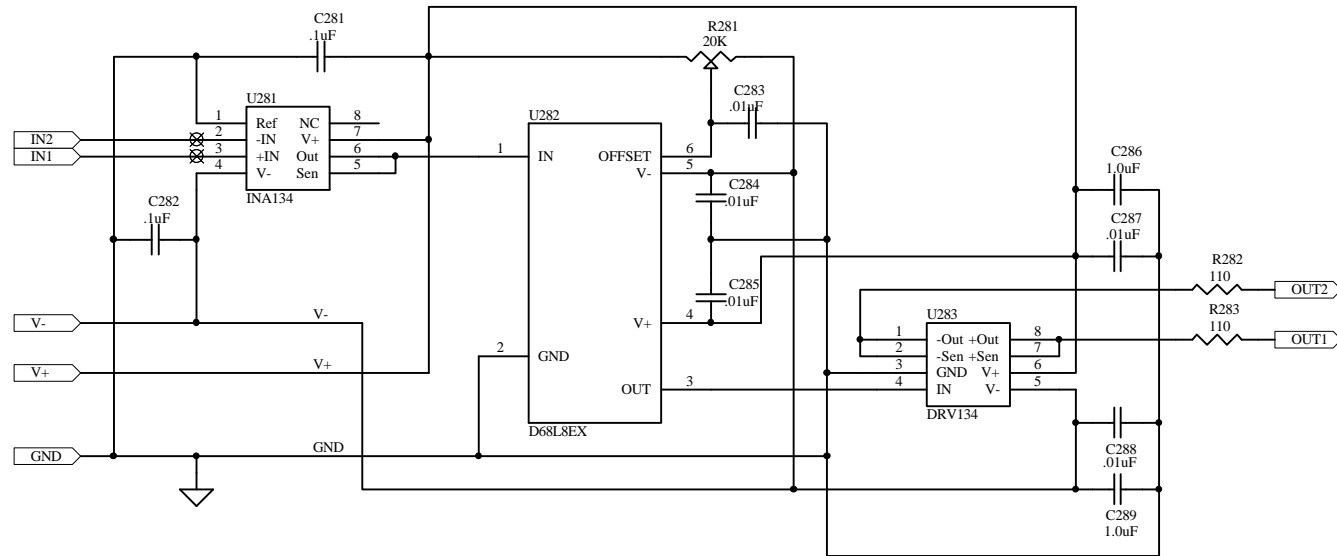
Title			ANTIALIASING FILTER - LEMO VERSION		
Size	Number	D990147-00-C		Revision	
A					
Date:	14-Jul-1999	Sheet of	27 OF 33		
File:	C:\TEMP\ANTIALIS\LEMO\SCH\DAQFTR2661	Drawn by:	SANDER LIU		



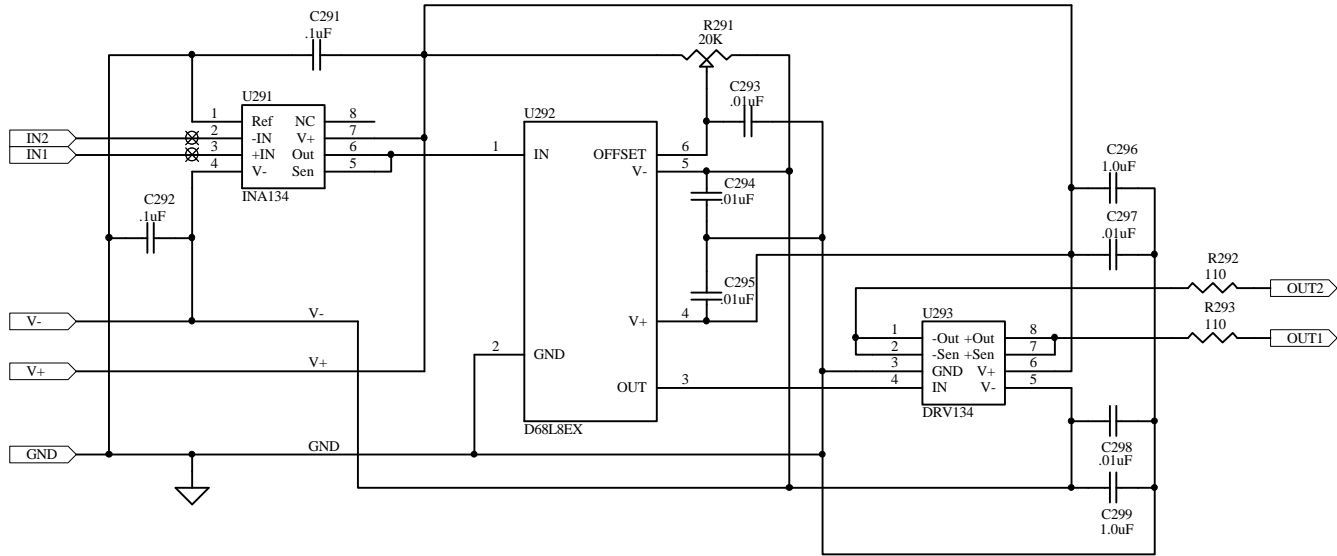
Title			ANTIALIASING FILTER - LEMO VERSION		
Size	Number	D990147-00-C		Revision	
A					
Date:	14-Jul-1999	Sheet of	28 OF 33		
File:	C:\TEMP\ANTIALIS\LEMO\SCH\DAQFTR266	Drawn by:	SANDER LIU		



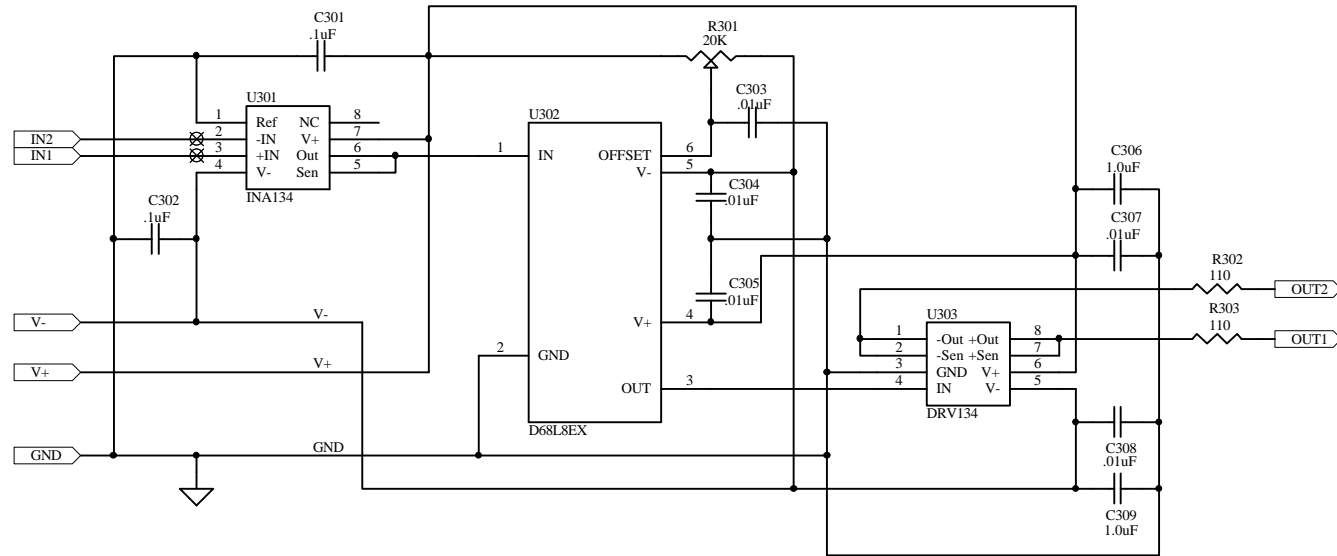
Title			ANTIALIASING FILTER - LEMO VERSION		
Size	Number	D990147-00-C		Revision	
A					
Date:	14-Jul-1999	Sheet of	29 OF 33		
File:	C:\TEMP\ANTIALIS\LEMO\SCH\DAQFTR28611	By:	SANDER LIU		



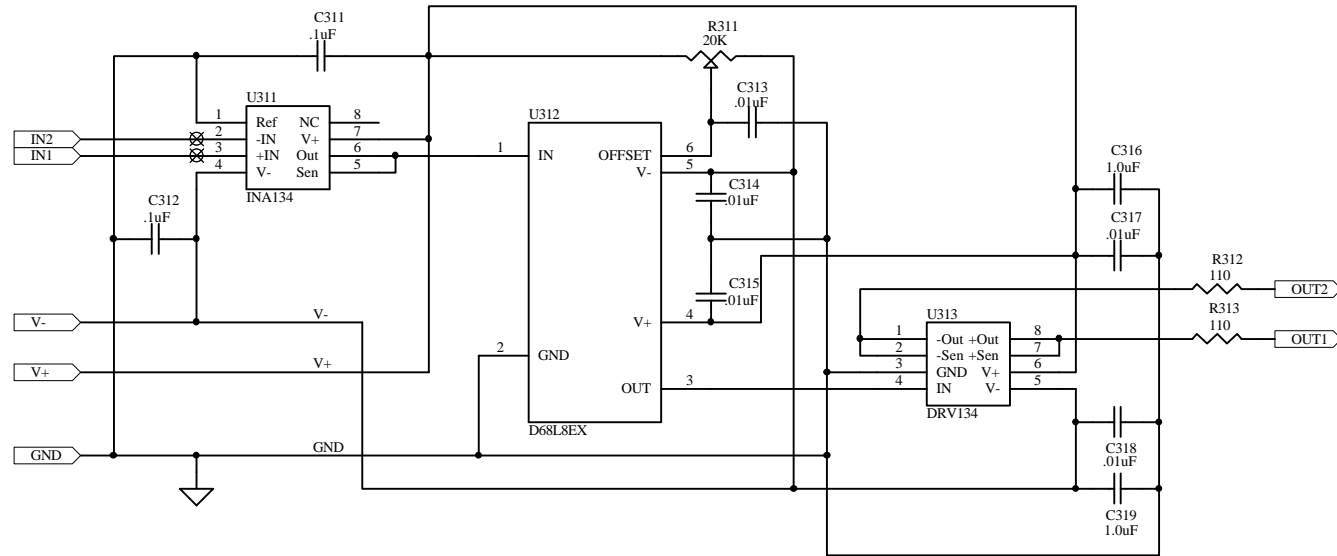
Title			ANTIALIASING FILTER - LEMO VERSION		
Size	Number	D990147-00-C		Revision	
A					
Date:	14-Jul-1999	Sheet of	30 OF 33		
File:	C:\TEMP\ANTIALIS\LEMO\SCH\DAQFTR286.C	Drawn by:	SANDER LIU		



Title			ANTIALIASING FILTER - LEMO VERSION		
Size	Number	D990147-00-C		Revision	
A					
Date:	14-Jul-1999	Sheet of	31 OF 33		
File:	C:\TEMP\ANTIALIS\LEMO\SCH\DAQFTR	Drawn by:	SANDER LIU		



Title			ANTIALIASING FILTER - LEMO VERSION		
Size	Number	D990147-00-C		Revision	
A					
Date:	14-Jul-1999	Sheet of	32 OF 33		
File:	C:\TEMP\ANTIALIS\LEMO\SCH\DAQFTR0066	Drawn by:	SANDER LIU		



Title			ANTIALIASING FILTER - LEMO VERSION		
Size	Number	D990147-00-C		Revision	
A					
Date:	14-Jul-1999	Sheet of	33 OF 33		
File:	C:\TEMP\ANTIALIS\LEMO\SCH\DAQFTR0266.DWG	Drawn by:	SANDER LIU		