

1

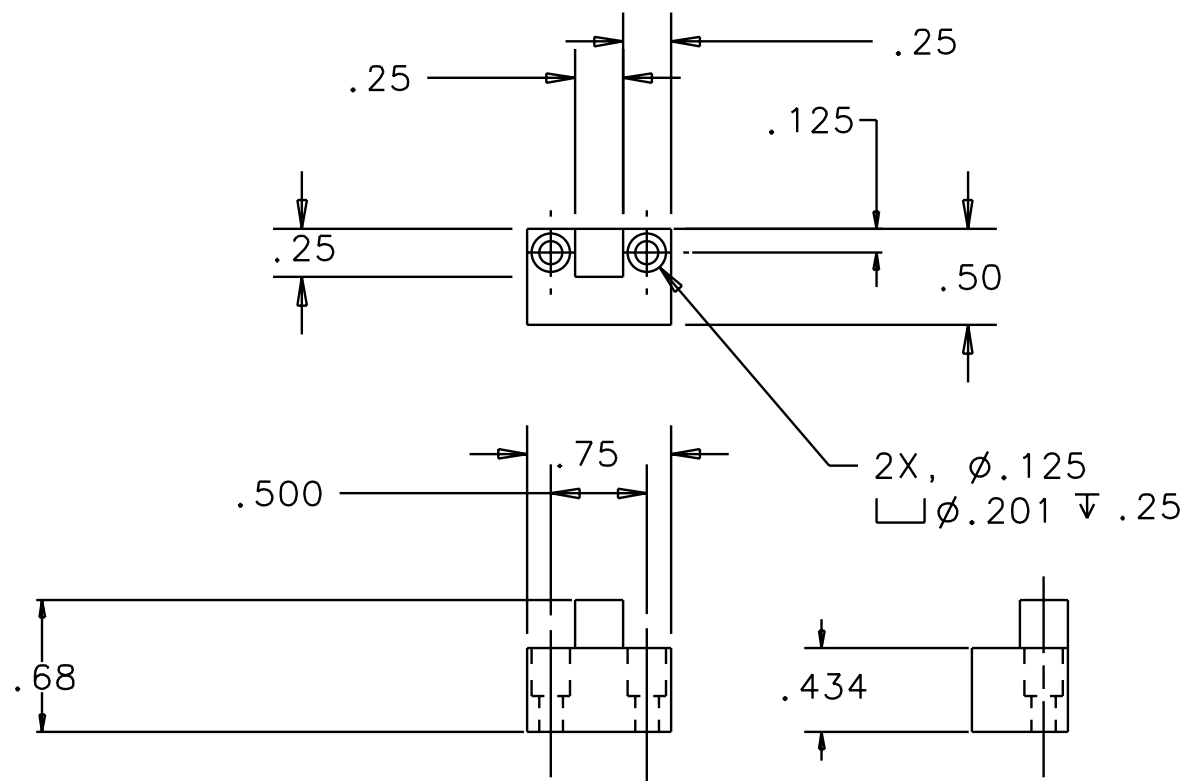
2

3

4

NOTES: (UNLESS OTHERWISE SPECIFIED)
 1. DIMENSIONS IN INCHES.
 2. MATERIAL: PRESHRUNK PFA 440HP
 3. BREAK ALL SHARP EDGES.

REV	DATE	DRAWN BY	CHECKED	DCC	DCN/DESCRIPTION
A	1-31-01	J. Romie			E010018/INITIAL RELEASE



QTY REQD	FSCM NO	PART OR IDENTIFYING NO	NOMENCLATURE OR DESCRIPTION	MATERIAL SPECIFICATION	ITEM NO
PARTS LIST					
UNLESS OTHERWISE SPECIFIED DIMENSIONS ARE IN INCHES TOLERANCES ARE:			APPROVALS		
FRACTIONS DECIMALS			DRAWN		DATE
0.XX=±0.01			J. Romie		5/00
0.XXX=±0.005			CHECKED		
ANGLES=±0.5°			TITLE		
DO NOT SCALE DRAWING			LIGO CALIFORNIA INSTITUTE OF TECHNOLOGY MASSACHUSETTS INSTITUTE OF TECHNOLOGY		
NEXT ASSEMBLY D990169			SUPPORT PAD		
MATERIAL SEE NOTES			DWC NO. D990170		REV A
FILE LOCATION /home/dcc/docs/D990170.pdf			FINISH NONE		SCALE 1/1 SHEET 1 OF 1

1

2

3

4