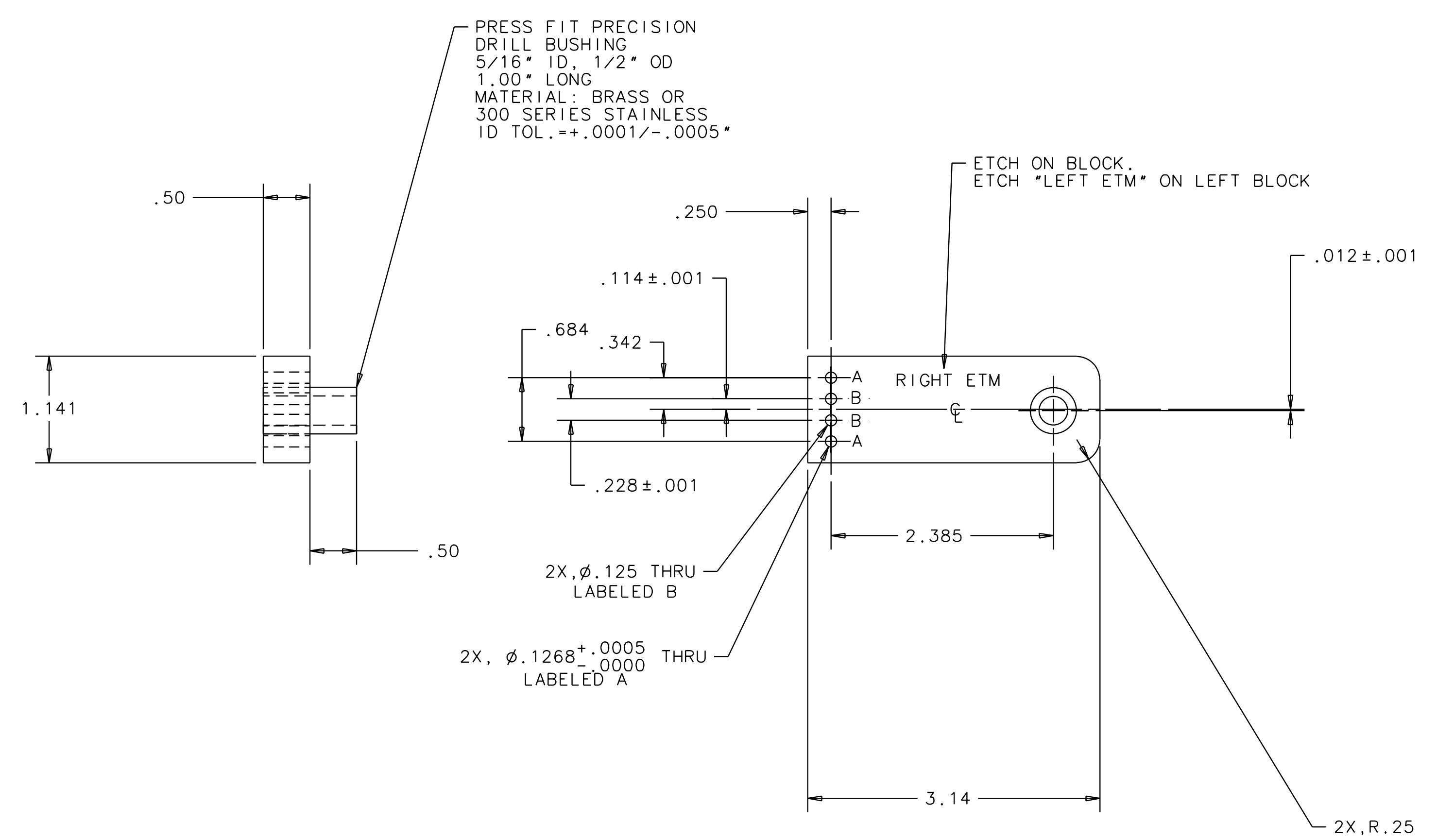
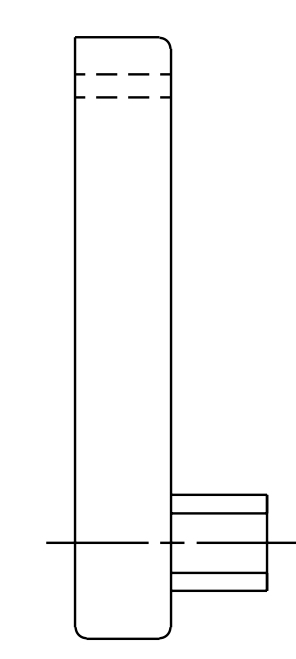


1 2 3 4 5 6 7 8

REV	DATE	DRAWN BY	CHECKED	DCC	DCN/DESCRIPTION
A	2/9/01	J. Romie			E010123/INITIAL RELEASE



RIGHT BLOCK SHOWN
LEFT BLOCK IS MIRROR IMAGE



QTY	REQ	PART OR IDENTIFYING NO.	NOMENCLATURE OR DESCRIPTION	MATERIAL SPECIFICATION	ITEM NO.
PARTS LIST					
UNLESS OTHERWISE SPECIFIED DIMENSIONS ARE IN INCHES TOLERANCES ARE: FRACTIONS DECIMALS ANGLES .XX ± .01 .XXX ± .005 ANGLES ± 0.5° DO NOT SCALE DRAWING		APPROVALS	DATE	LIGO CALIFORNIA INSTITUTE OF TECHNOLOGY MASSACHUSETTS INSTITUTE OF TECHNOLOGY	
DRAWN J. Romie		CHECKED	4/99	TITLE SIDE BLOCKS, ETM MMT3 AND FM	
NEXT ASSEMBLY D990158		MATERIAL ALUM 6061-T6		SIZE E	REV A
FILE LOCATION /home/dcc/docs/D990186.pdf		FINISH		SCALE 1/1	SHEET 1 OF 1

1 2 3 4 5 6 7 8