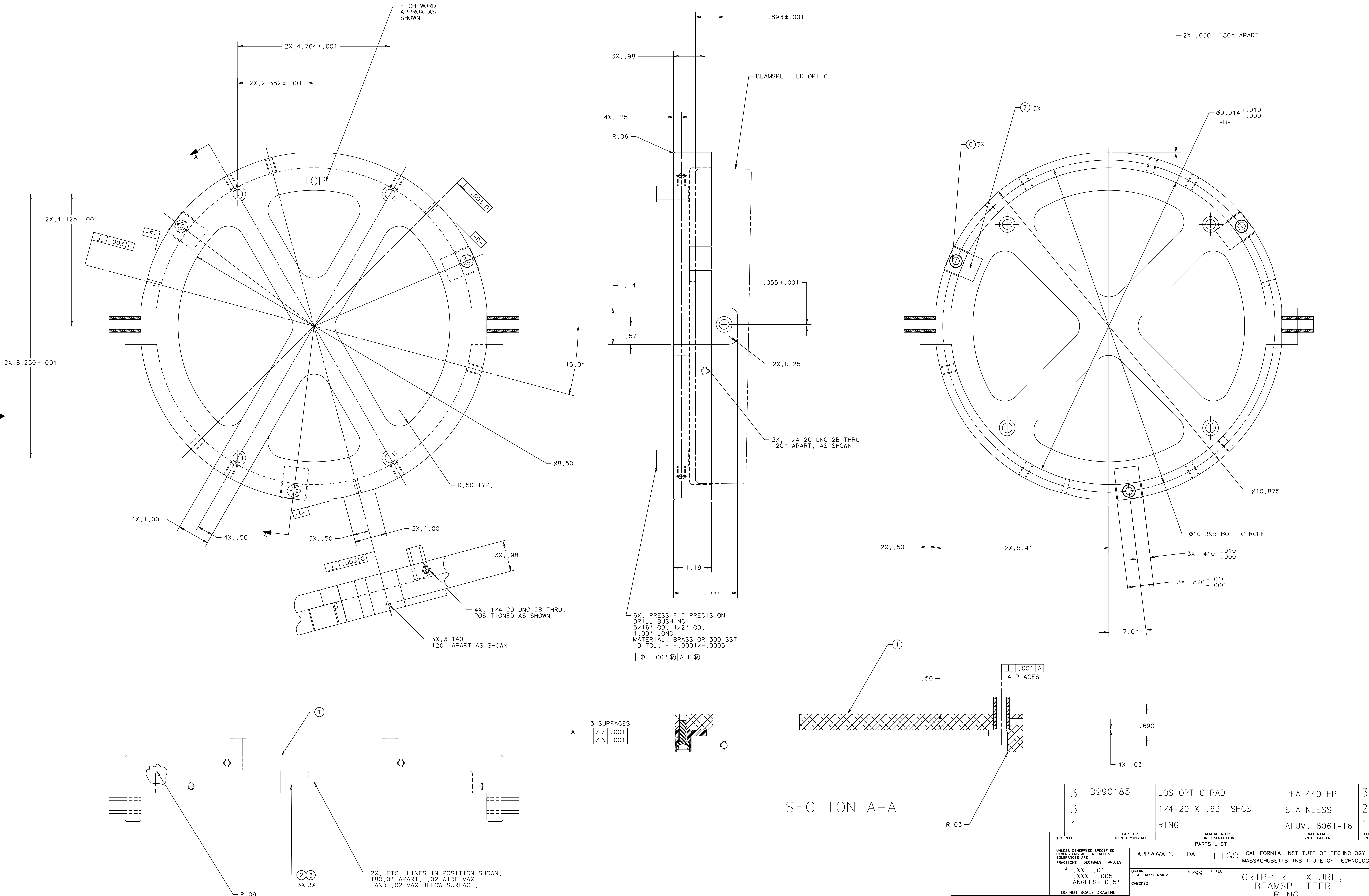


NOTES: UNLESS OTHERWISE SPECIFIED
 1. DIMENSIONS IN INCHES.
 2. BREAK ALL SHARP EDGES.

REV	DESCRIPTION OF CHANGE	SHEETS AFFECTED	APPROVAL	DATE
3	D990185	LOS OPTIC PAD	PFA 440 HP	3
3		1/4-20 X .63 SHCS	STAINLESS	2
1		RING	ALUM. 6061-T6	1



6X, PRESS FIT PRECISION
 DRILL BUSHING
 5/16" OD, 1/2" OD,
 1.00" LONG
 MATERIAL: BRASS OR 300 SST
 ID TOL. = +.0001/- .0005
 Ⓢ .002 Ⓢ A Ⓢ B Ⓢ

SECTION A-A

QTY REQD	PART OR IDENTIFYING NO	NOMENCLATURE OR DESCRIPTION	MATERIAL SPECIFICATION	ITEM NO.
3	D990185	LOS OPTIC PAD	PFA 440 HP	3
3		1/4-20 X .63 SHCS	STAINLESS	2
1		RING	ALUM. 6061-T6	1

APPROVALS	DATE	TITLE
DRN: J. Havel Romie	6/99	GRIPPER FIXTURE, BEAMSPLITTER RING
CHEKED:		

FILE LOCATION	FINISH	SCALE	REV
/home/dcc/docs/D990191.pdf		1/1	00