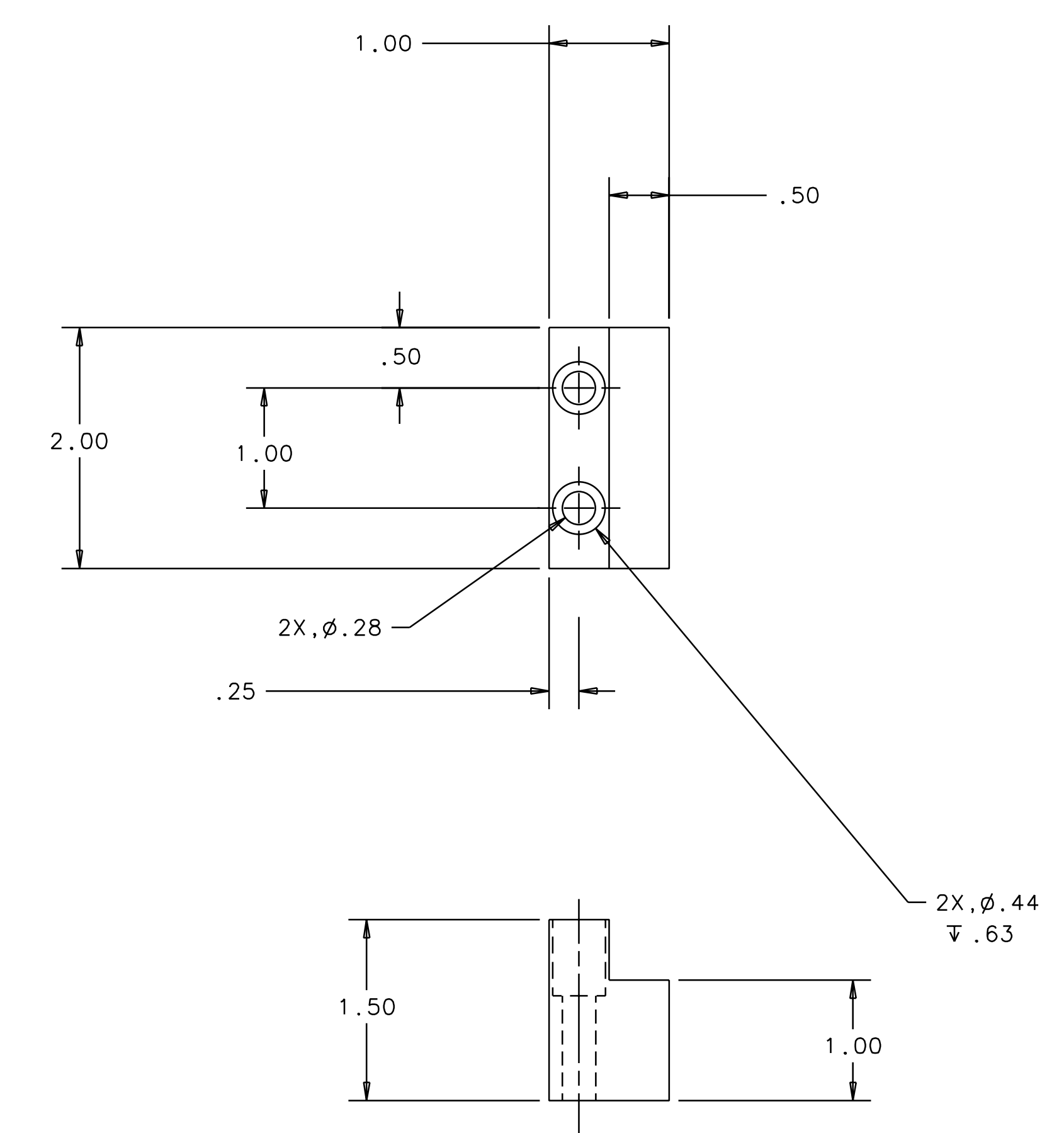
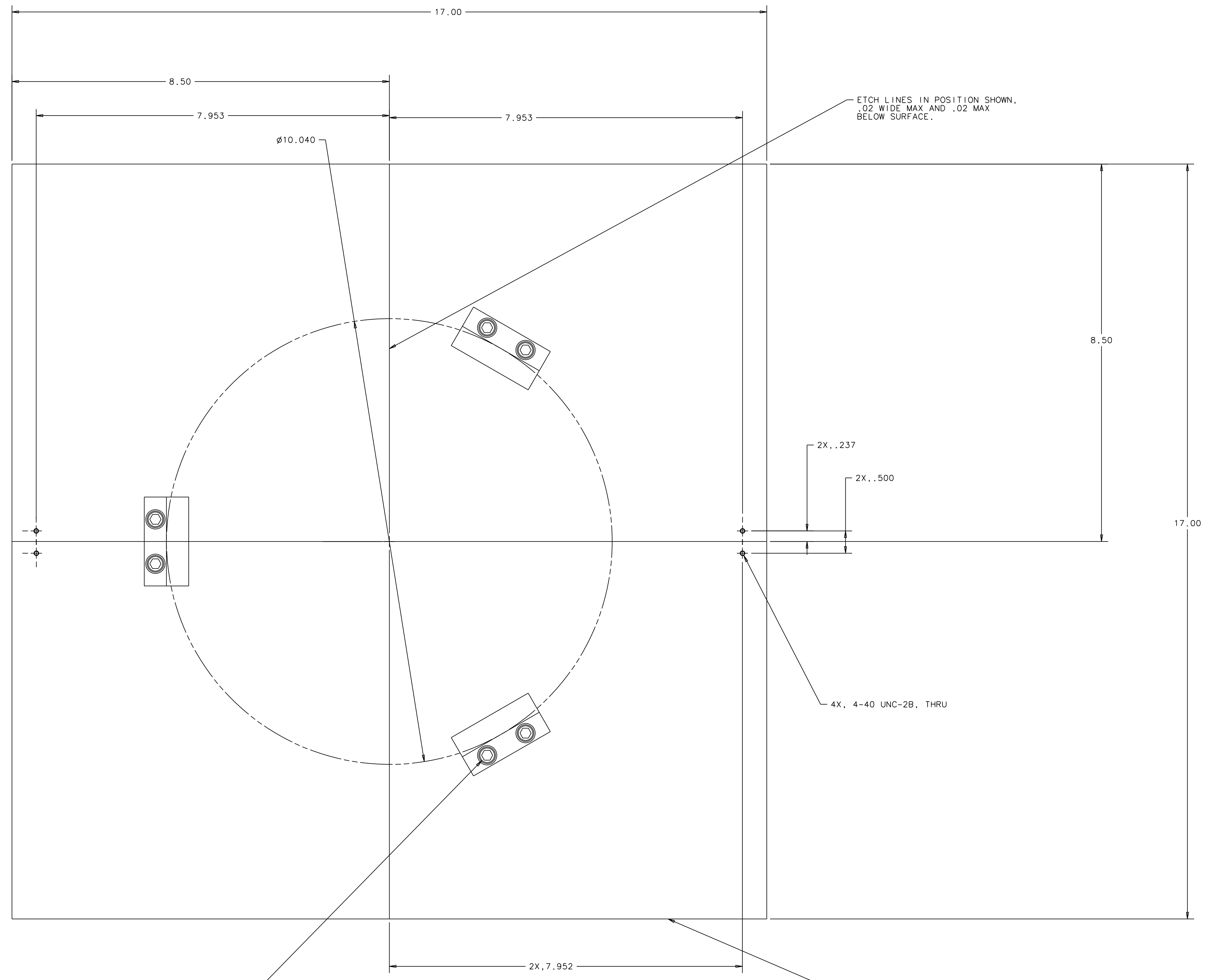


1 2 3 4 5 6 7 8

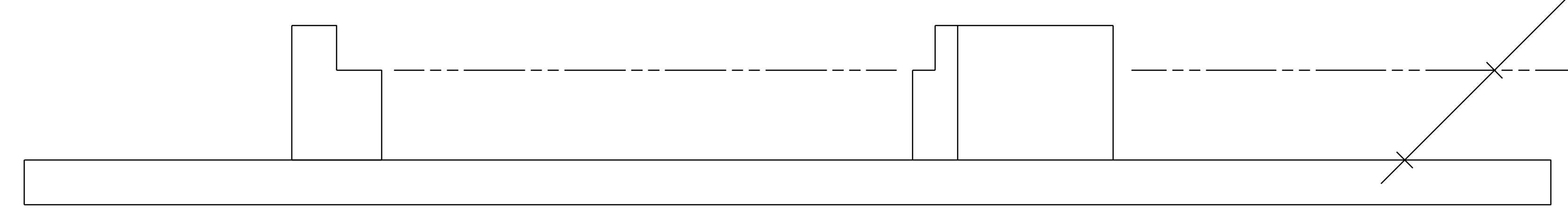
REV	DESCRIPTION OF CHANGE	SHEETS AFFECTED	APPROVAL	DATE



6X, 1/4-20 X 1.25 LONG SHCS INTO THREADED HOLES IN PLATE. (DO NOT ALLOW SCREWS TO PROTRUDE THROUGH THE BOTTOM OF THE PLATE.)

PLATE MATERIAL: ALUM 6061-T6 0.50" STOCK

// .010



QTY REQ	PART OR IDENTIFYING NO	NOMENCLATURE OR DESCRIPTION	MATERIAL SPECIFICATION	ITEM NO.

UNLESS OTHERWISE SPECIFIED DIMENSIONS ARE IN INCHES TOLERANCES ARE: FRACTIONS DECIMALS ANGLES XX = ±.01 XXX = ±.005 ANGLES = ±0.5° DO NOT SCALE DRAWING	APPROVALS	DATE	LIGO CALIFORNIA INSTITUTE OF TECHNOLOGY MASSACHUSETTS INSTITUTE OF TECHNOLOGY	
		4/99	TITLE	
			LARGE OPTIC HOLDER	
NEXT ASSEMBLY	MATERIAL		SIZE	REV
D990158			E	00
FILE LOCATION	FINISH		SCALE	SHEET
/home/dcc/docs/D990192.pdf			1/1	1 OF 1

1 2 3 4 5 6 7 8