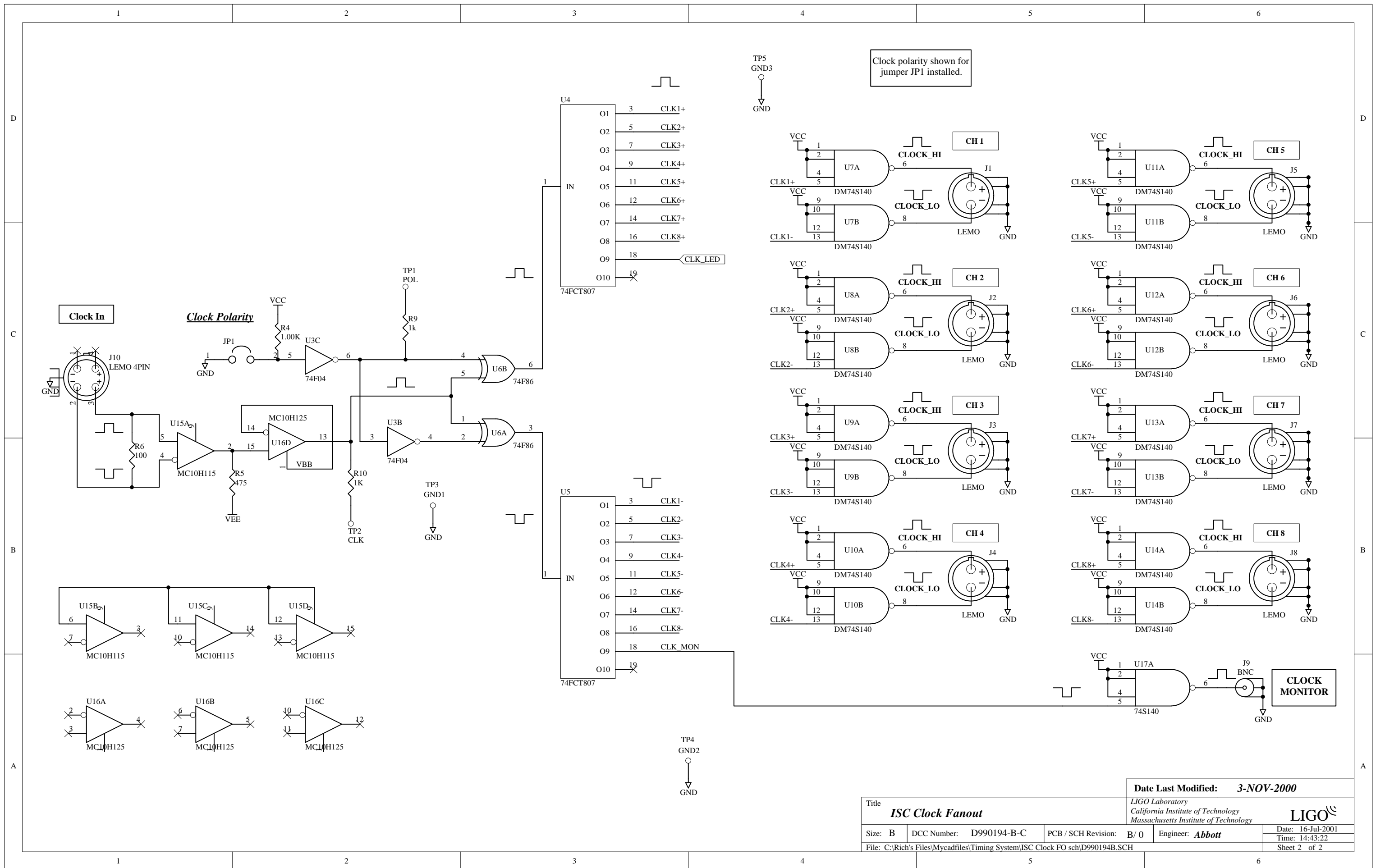


Title ISC Clock Driver			Date Last Modified: 3-NOV-2000	
Size: B			DCC Number: D990194-B-C	
PCB / SCH Revision: B / 0			Engineer: Abbott	
File: C:\Rich's Files\Mycadfiles\Timing System\ISC Clock FO sch\D990194B.prj			Date: 16-Jul-2001	
			Time: 14:42:24	
			Sheet 1 of 2	

LIGO Laboratory
California Institute of Technology
Massachusetts Institute of Technology





Title ISC Clock Fanout			Date Last Modified: 3-NOV-2000	
Size: B			LIGO Laboratory California Institute of Technology Massachusetts Institute of Technology	
DCC Number: D990194-B-C	PCB / SCH Revision: B / 0	Engineer: Abbott	Date: 16-Jul-2001	
File: C:\Rich's Files\Mycadfiles\Timing System\ISC Clock FO sch\D990194B.SCH			Time: 14:43:22	
			Sheet 2 of 2	