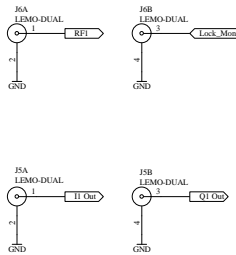
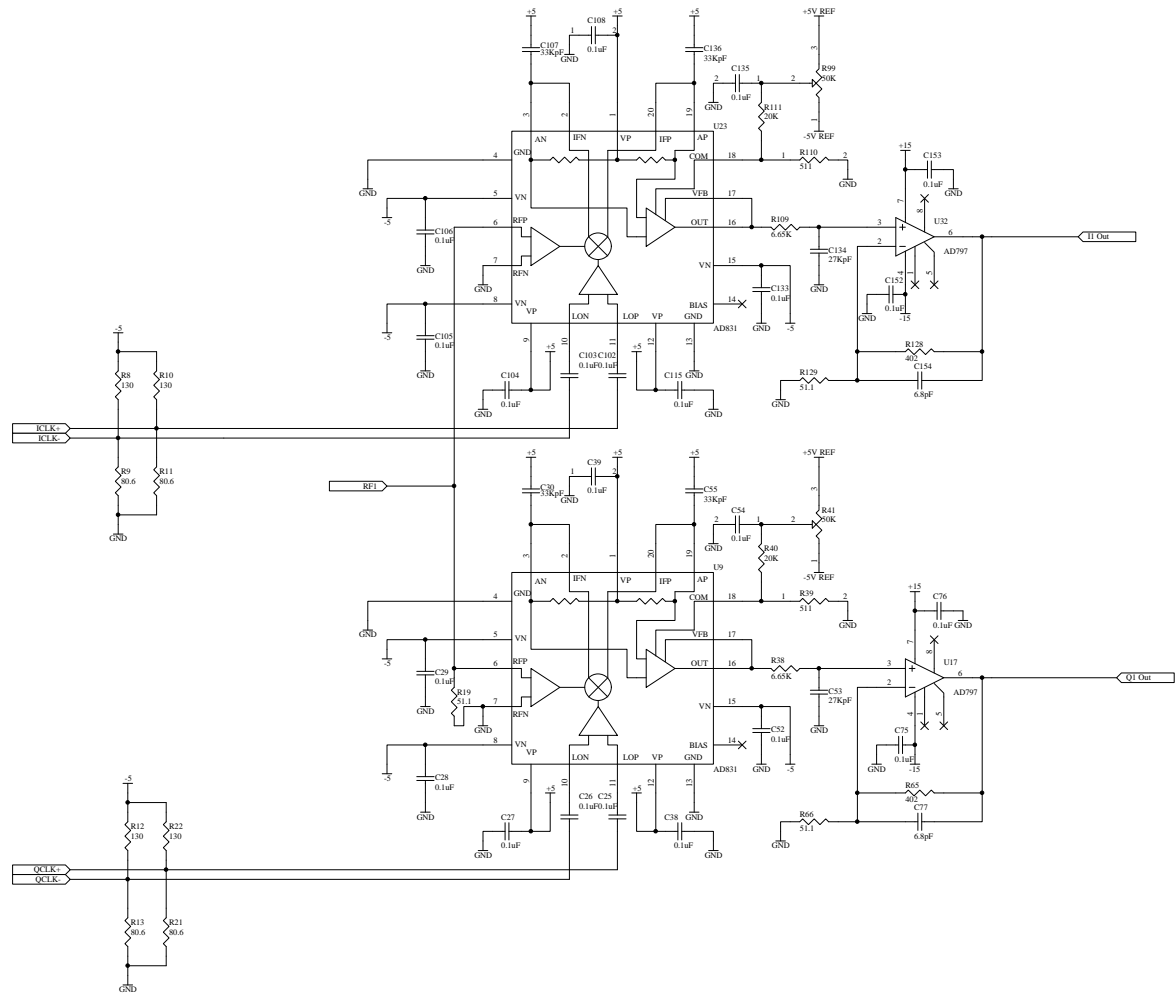
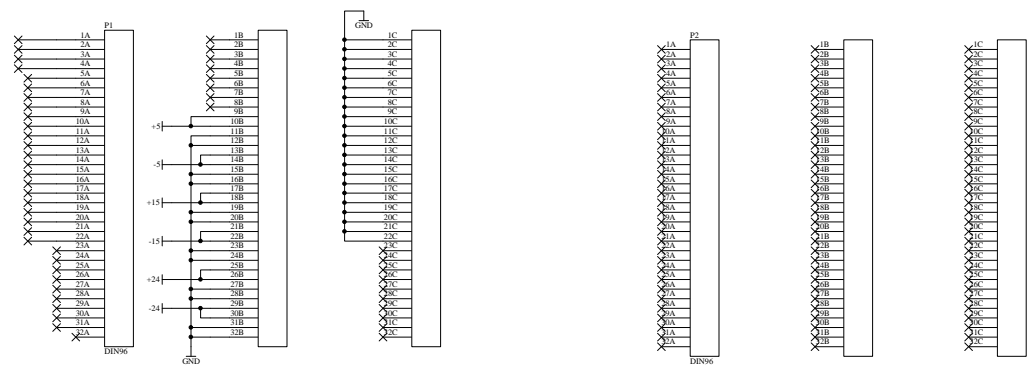


Note:
 1. VCO model number dependent on operating freq.
 of board. Oscillator is mounted on boards using
 socket.
 2. Nominal operating freq. is 2X demod freq.

Note:
 This board is made using a single channel
 of an existing ASC WFS demod board (D980233 Rev A).



Note:
Wire jumpers must be added to board for lock monitor, I Out and Q1 Out connections.



1

2

3

4

5

6

D

D

C

C

B

B

A

A

I_QDEMD2
I_QDEMD2.SCH

- I1
- I2
- ICLK+
- ICLK-
- Q1
- Q2
- QCLK+
- QCLK-
- I3
- Q4
- Q3
- RF1
- RF4
- RF2
- RF3
- I4

I_QDEMD1
I_QDEMD1.SCH

- ICLK-
- ICLK+
- QCLK+
- QCLK-
- Lock_Mon
- Ext_Mod_Enable
- Int_Ref_Enable
- LO_Adj

Title		<i>I and Q Demodulator Board</i>		LIGO Laboratory California Institute of Technology Massachusetts Institute of Technology		LIGO	
Size: B	DCC Number: D990221	SCH / PCB Revision: A	Engineer: J. Heefner	Date: 6-May-1999	Time: 10:17:00		
File: I:\cad\ligo\users\jay\wavefron\I_Qdemod\i_qdemod.prj				Sheet 0 of 2			

1

2

3

4

5

6