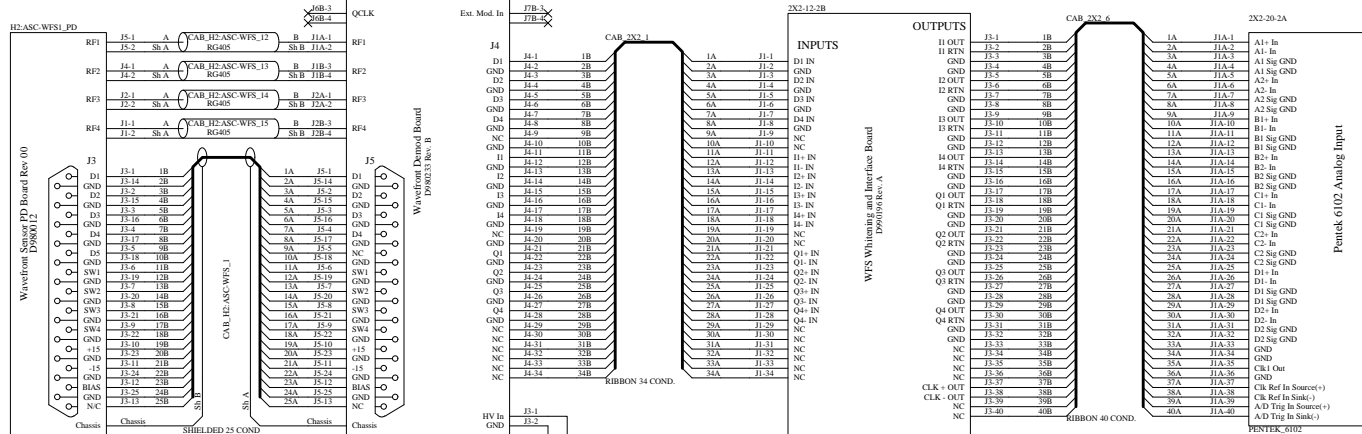
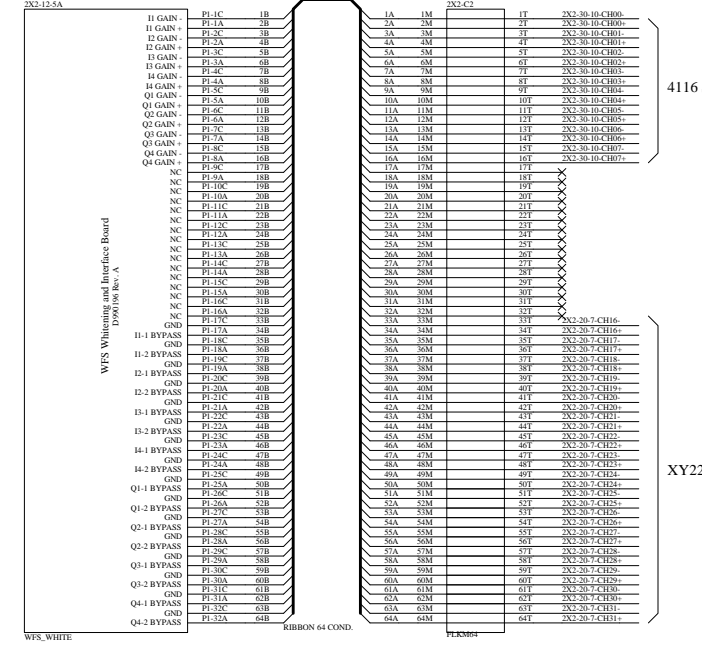
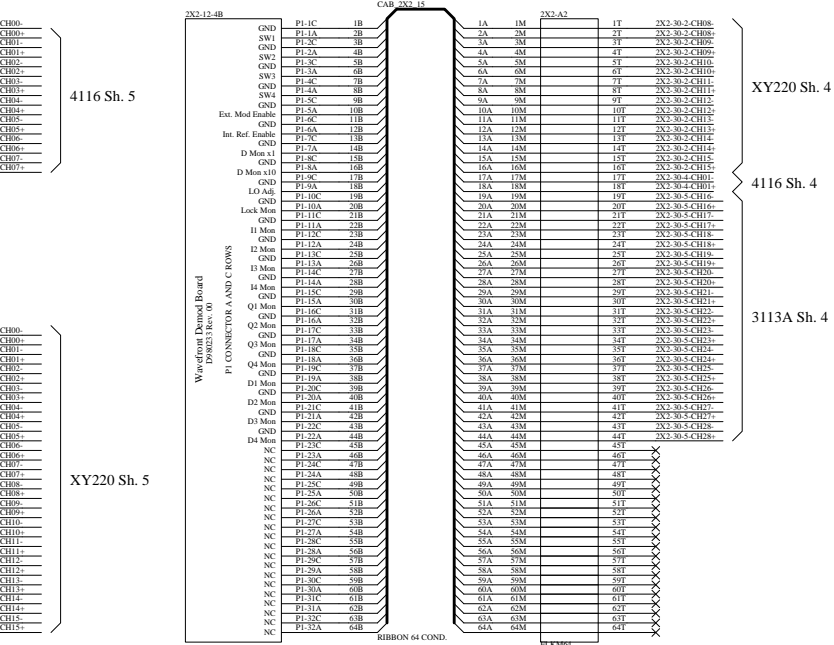
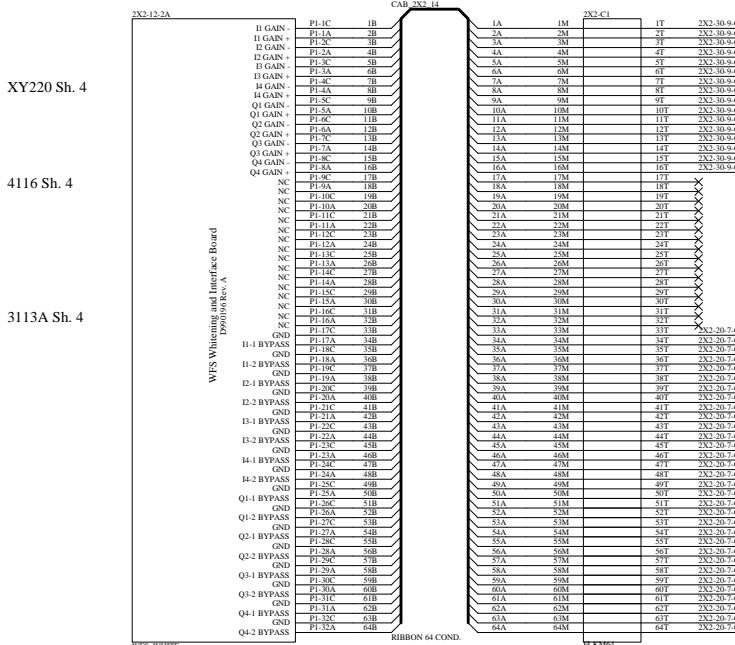
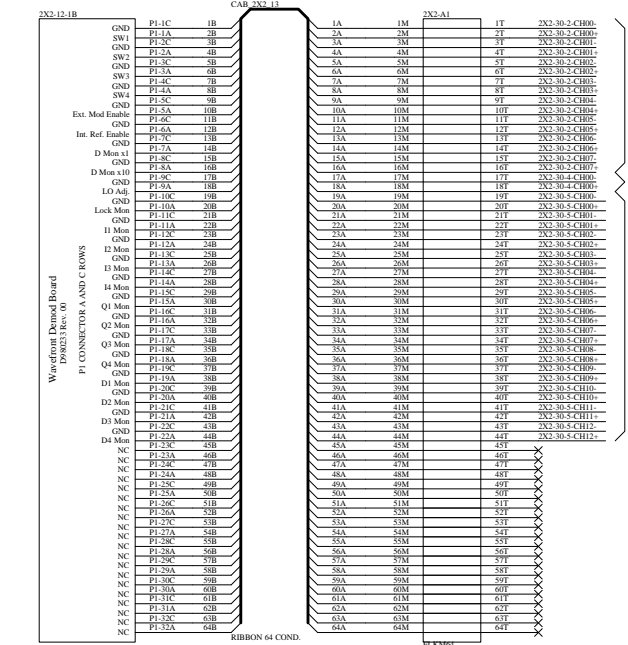
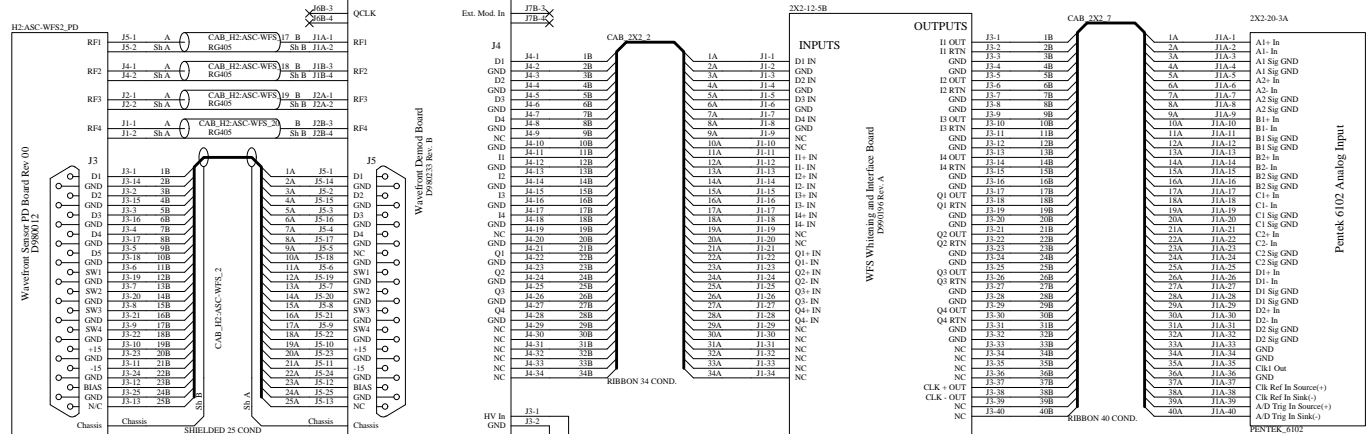


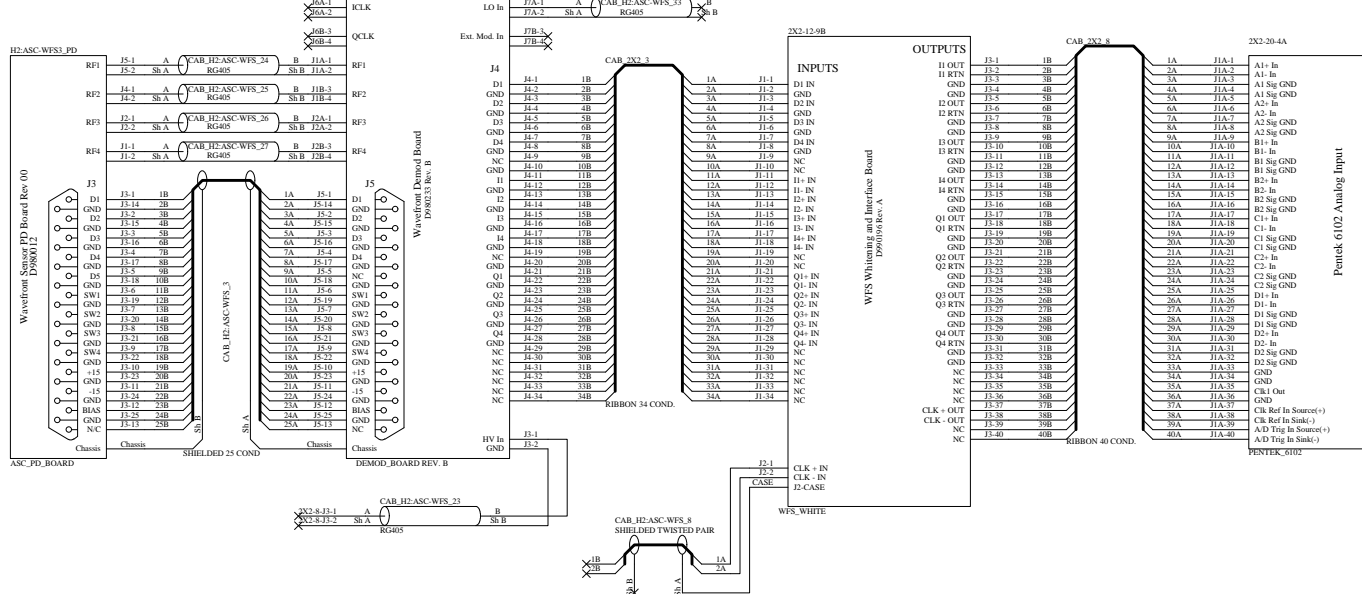
WFS 1



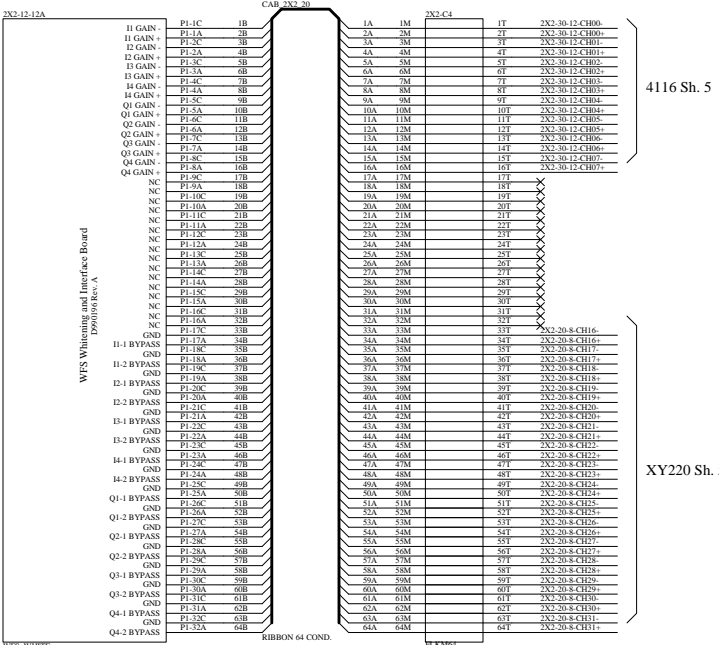
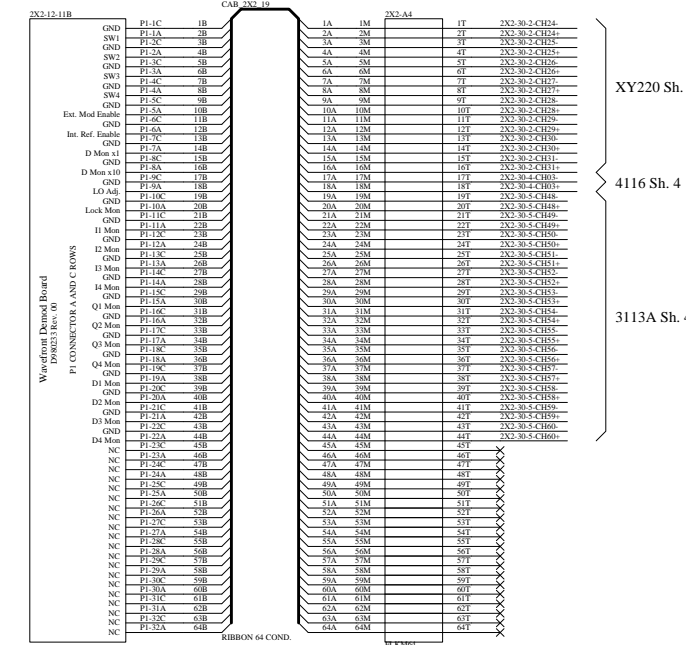
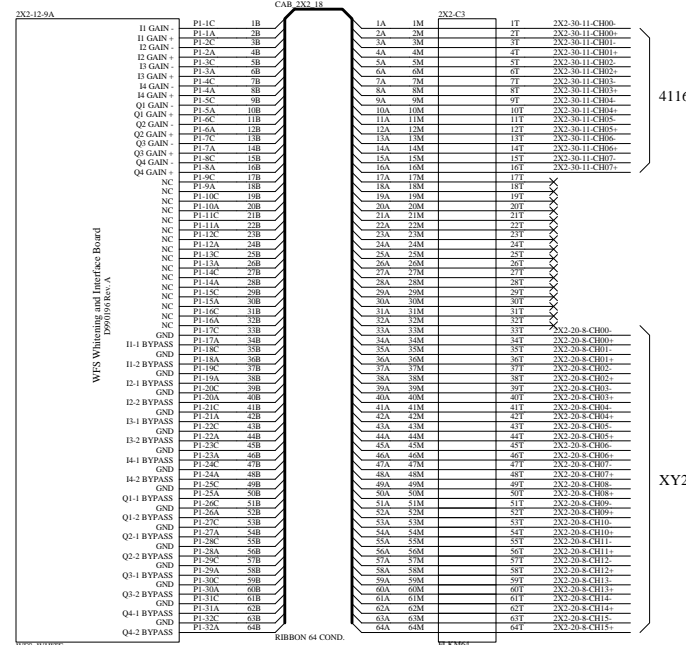
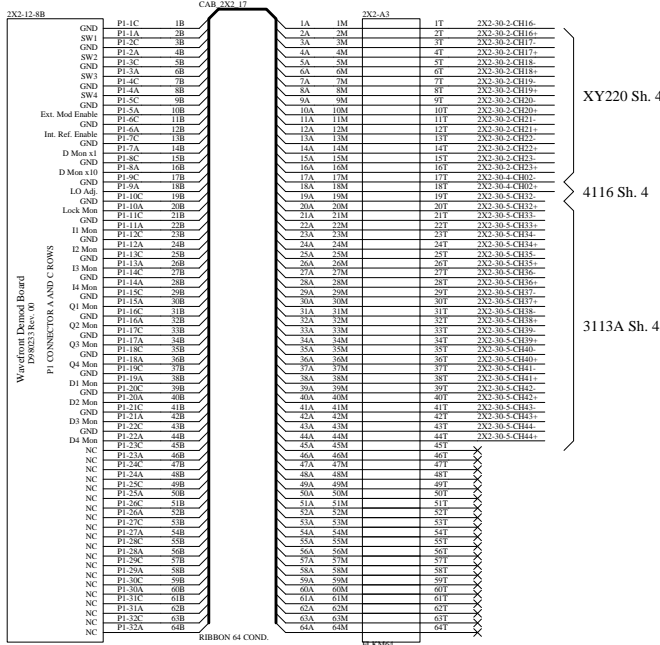
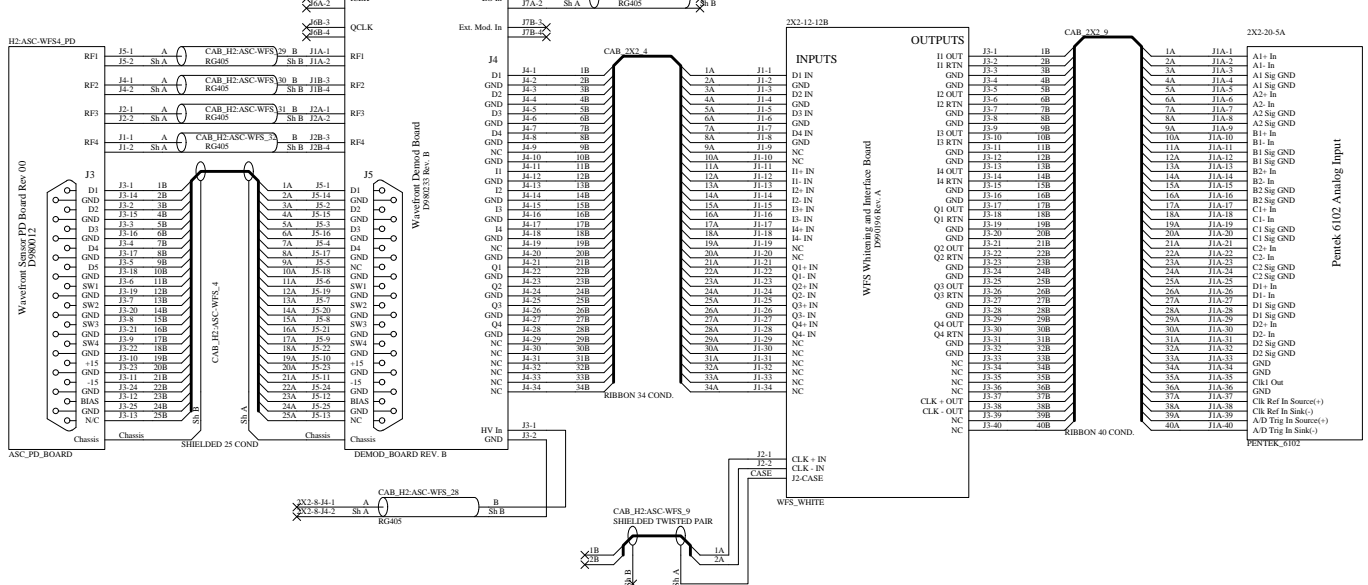
WFS 2



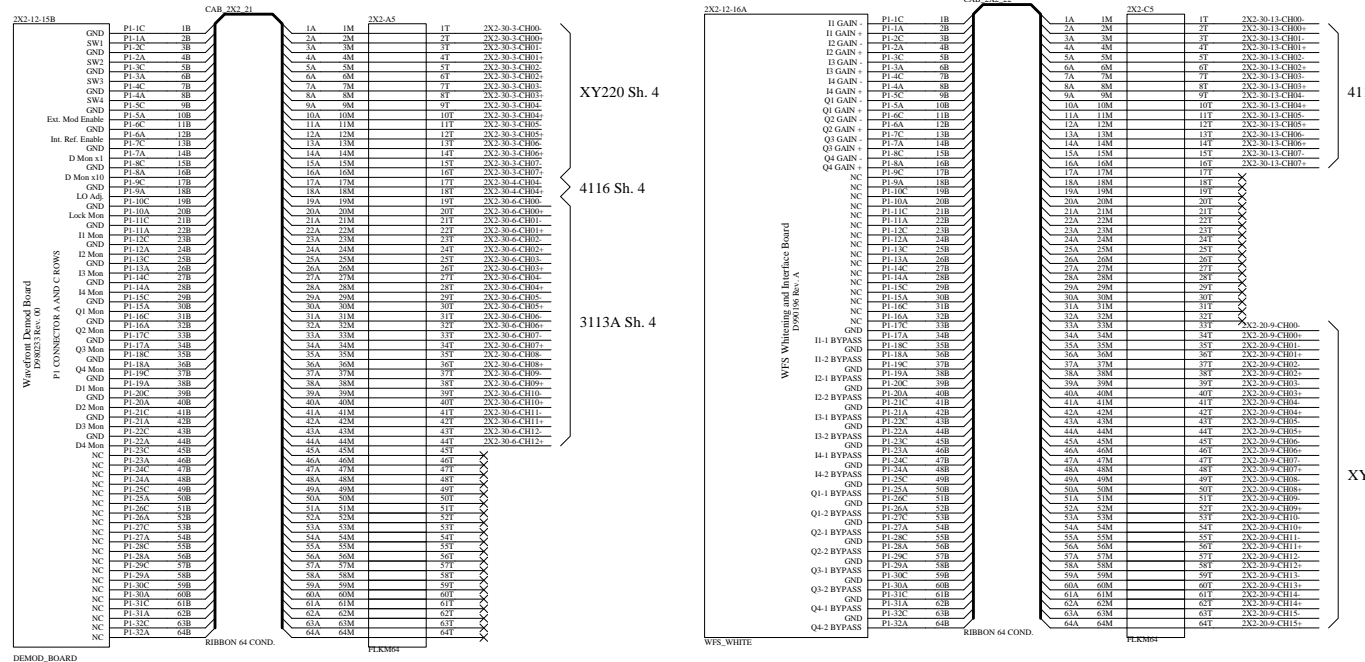
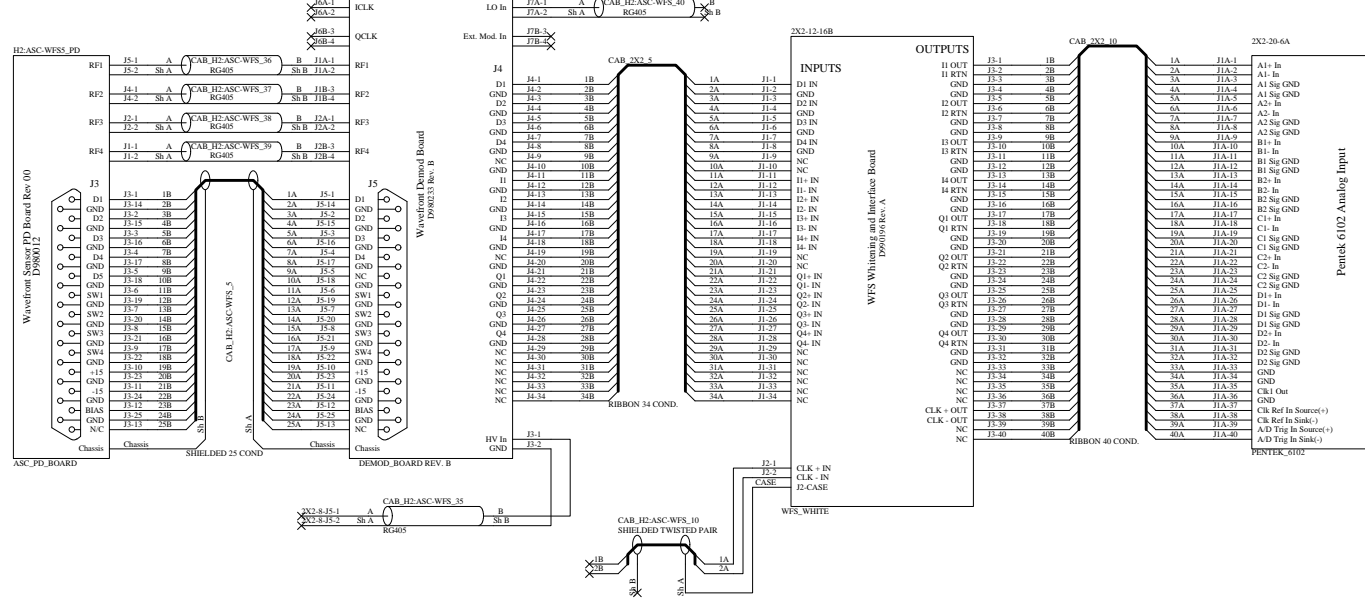
WFS 3

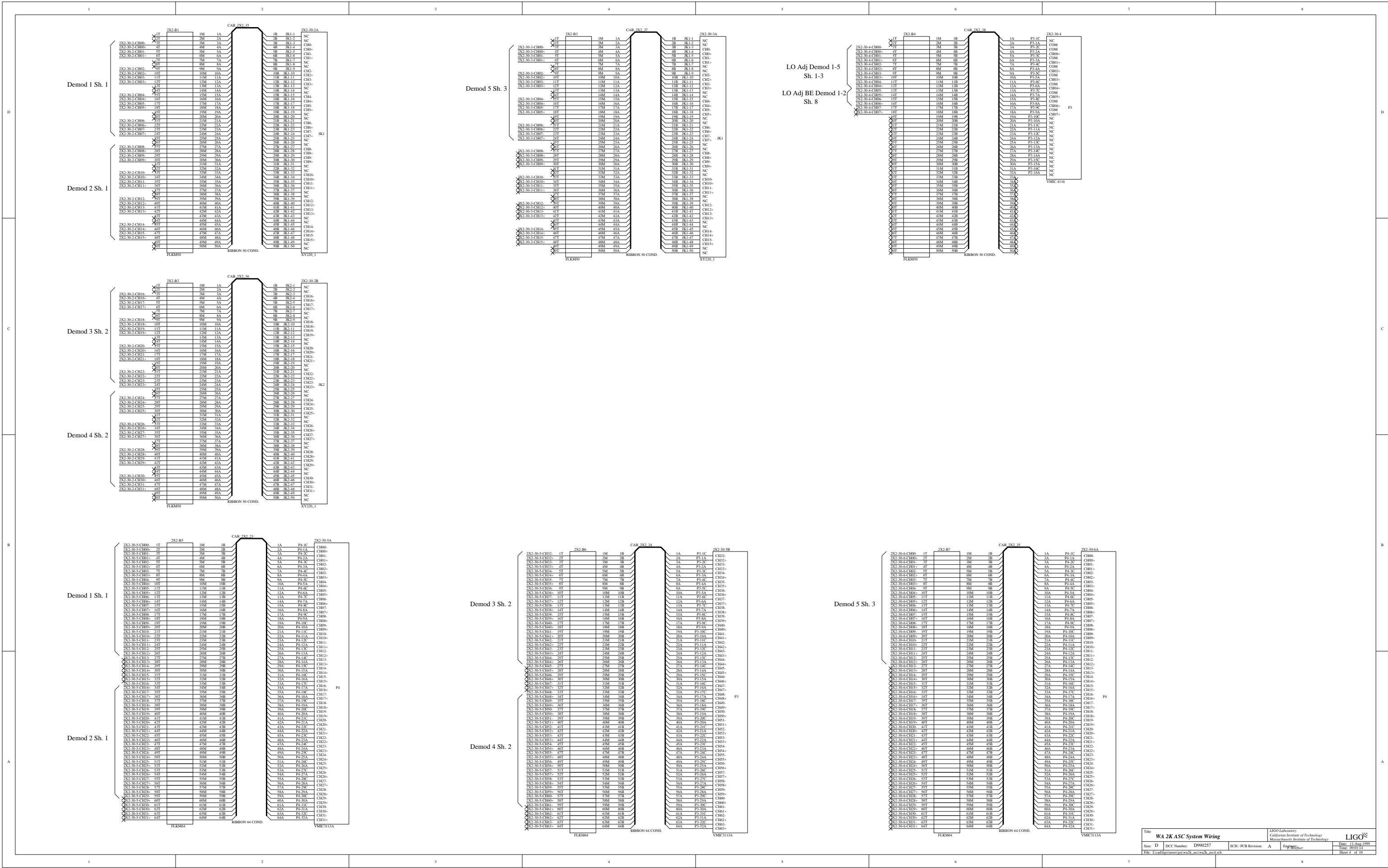


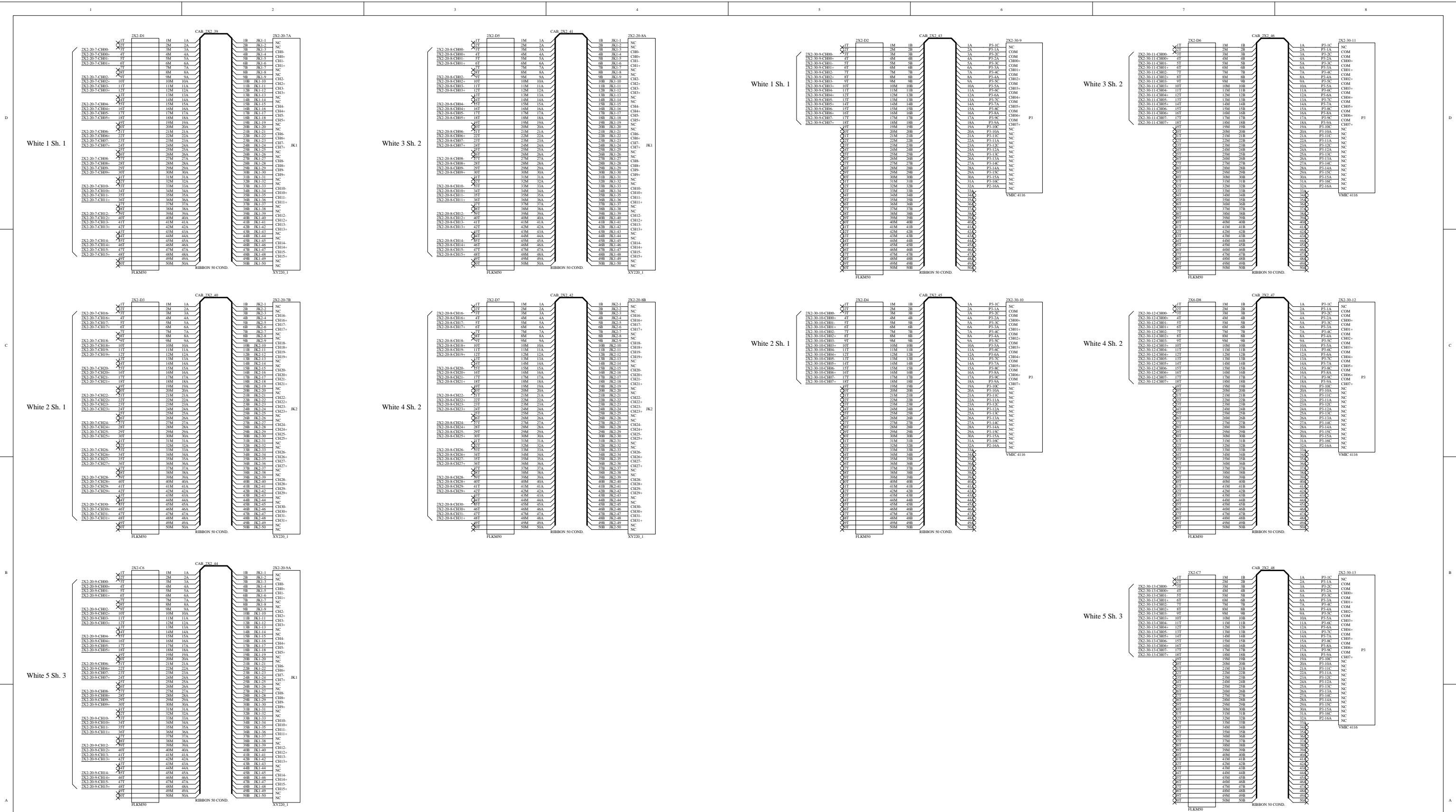
WFS 4



WFS 5

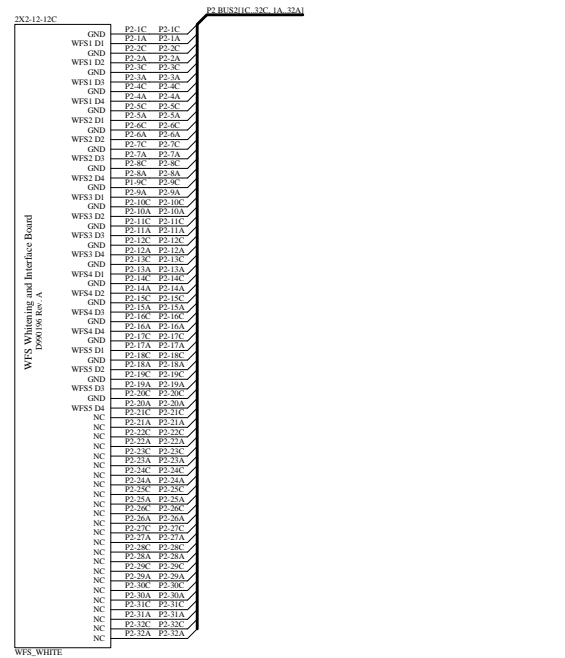
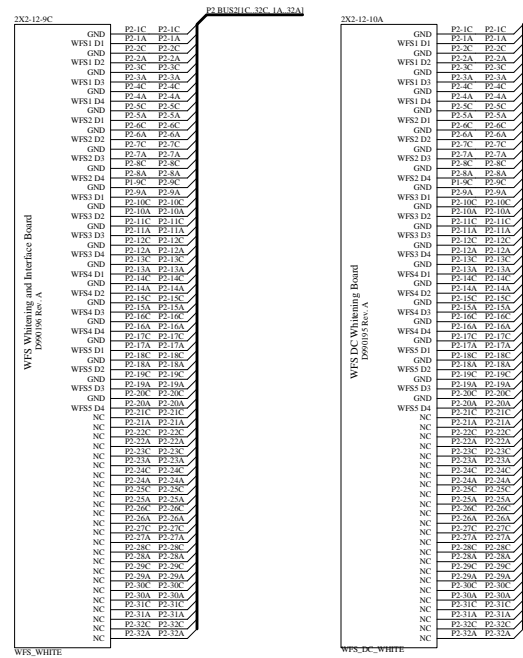
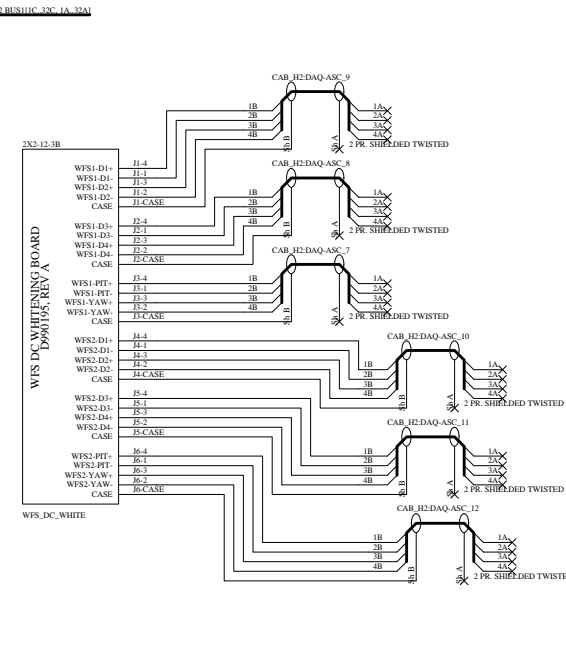
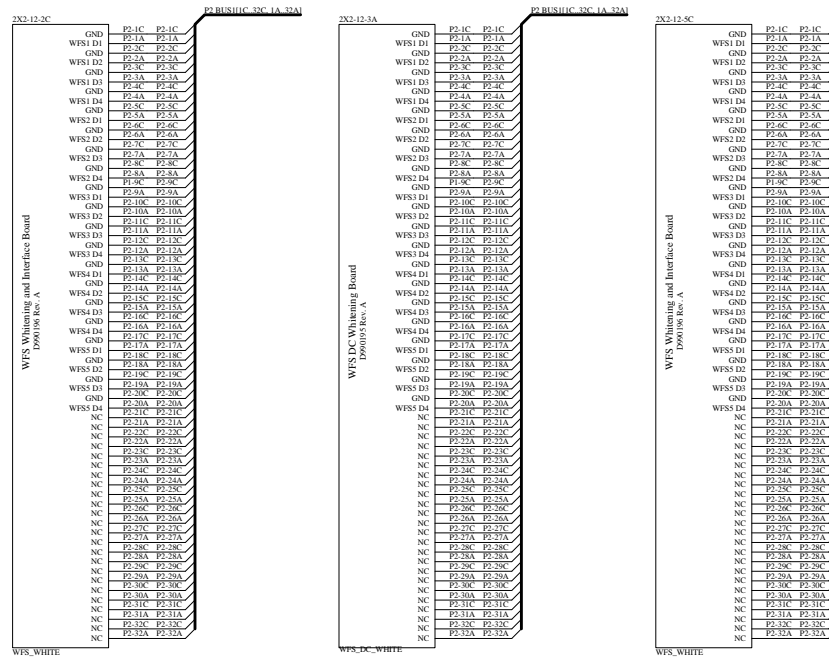




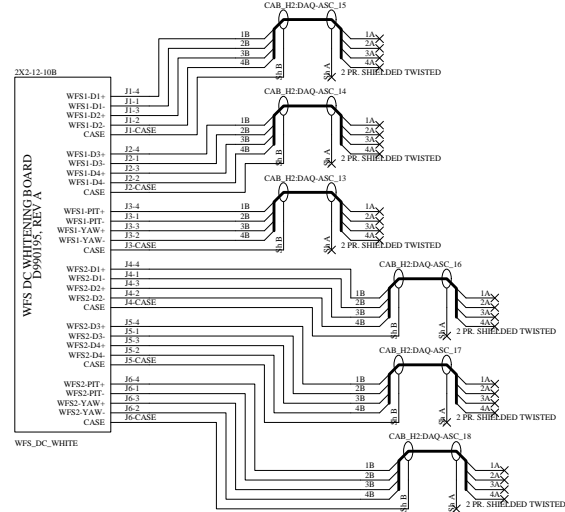
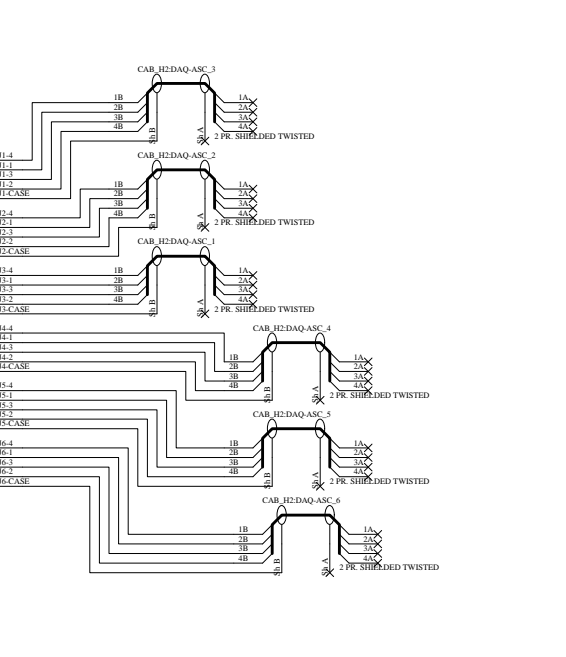
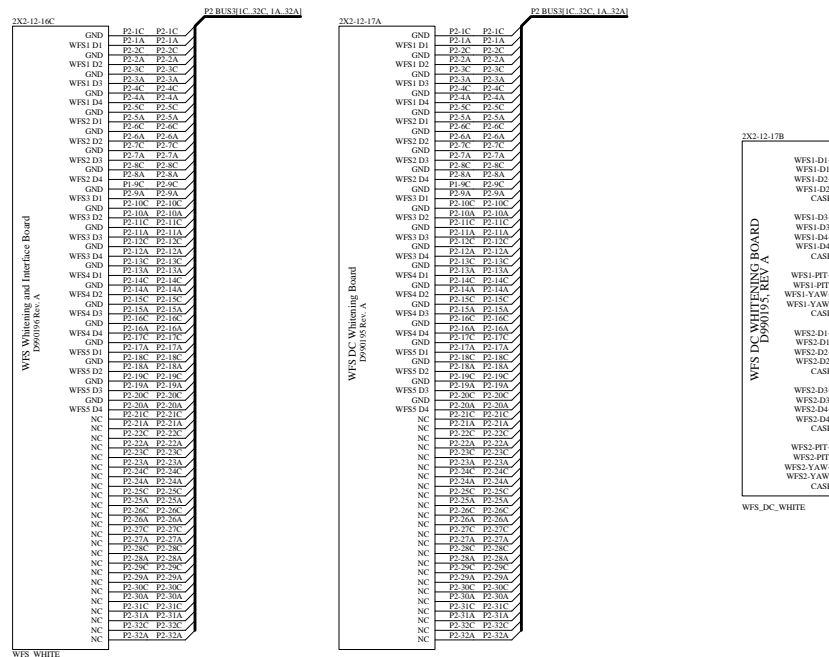


WFS 1 and 2 DAQ Connections for DC Signals

WFS 3 and 4 DAQ Connections for DC Signals

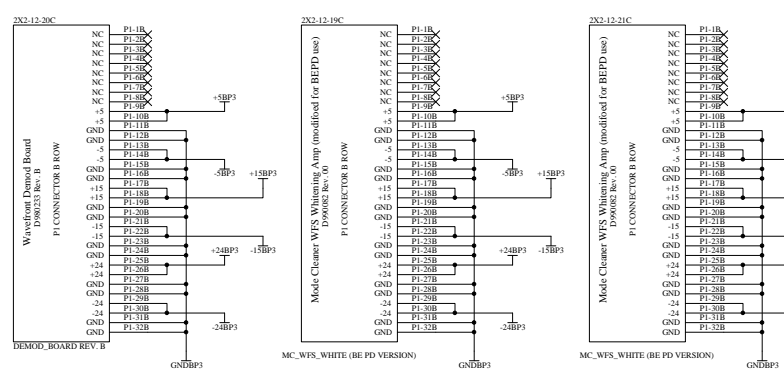
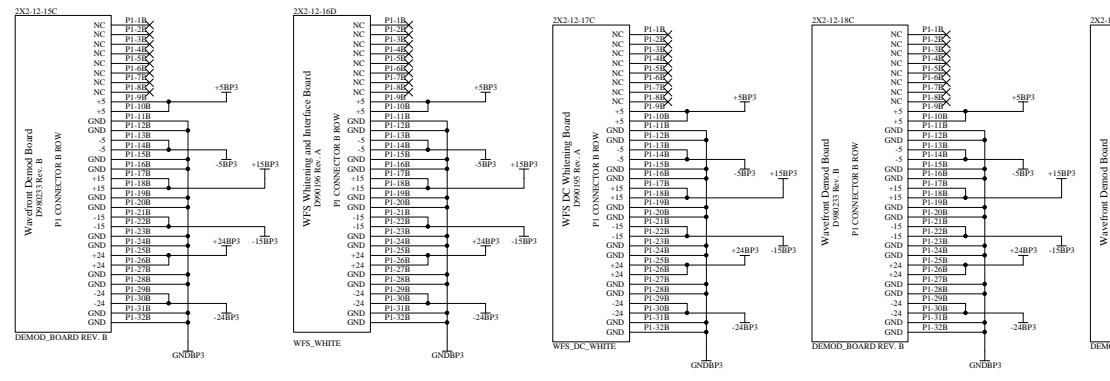
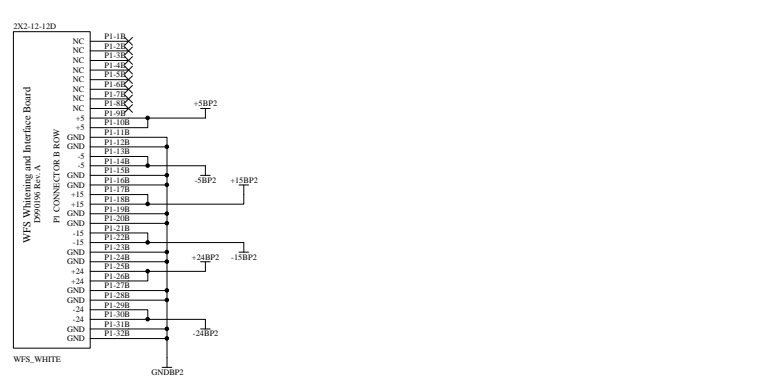
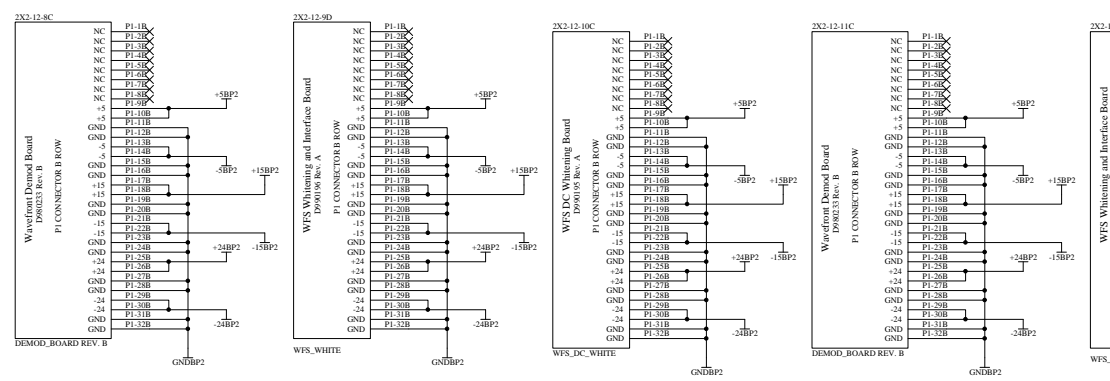
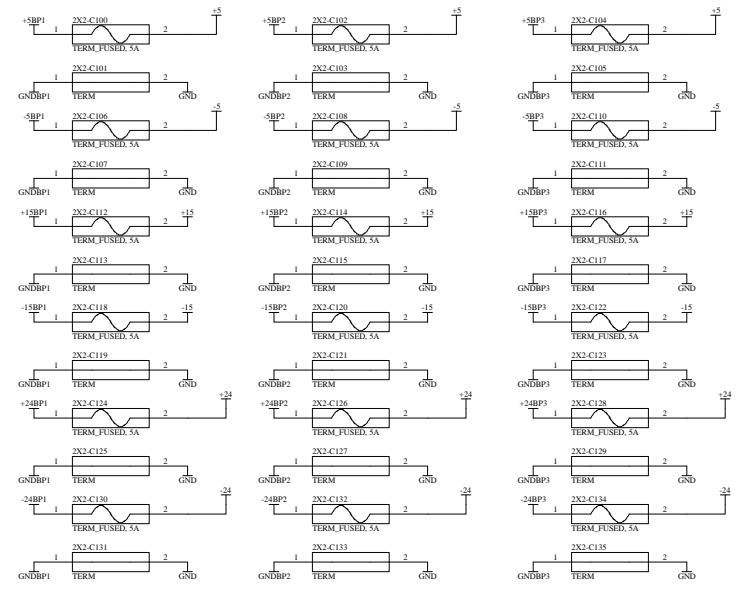
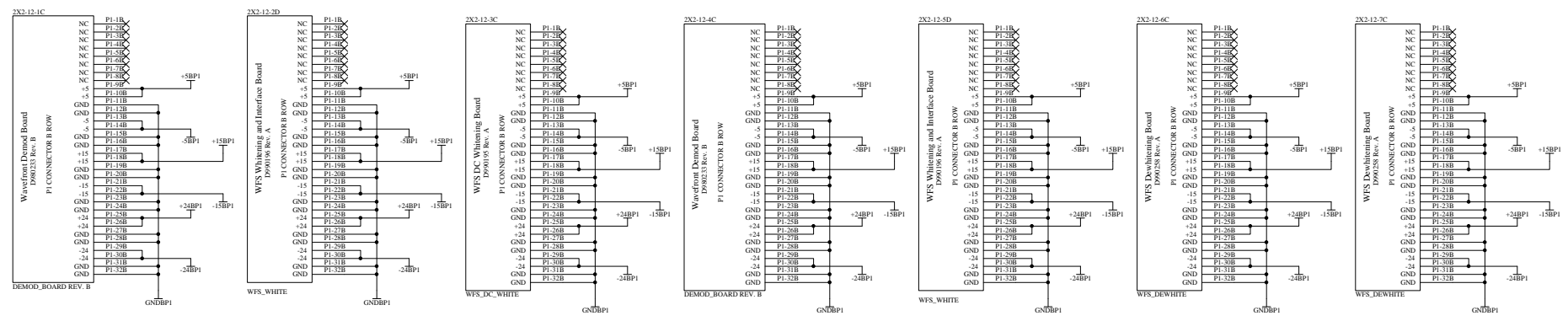


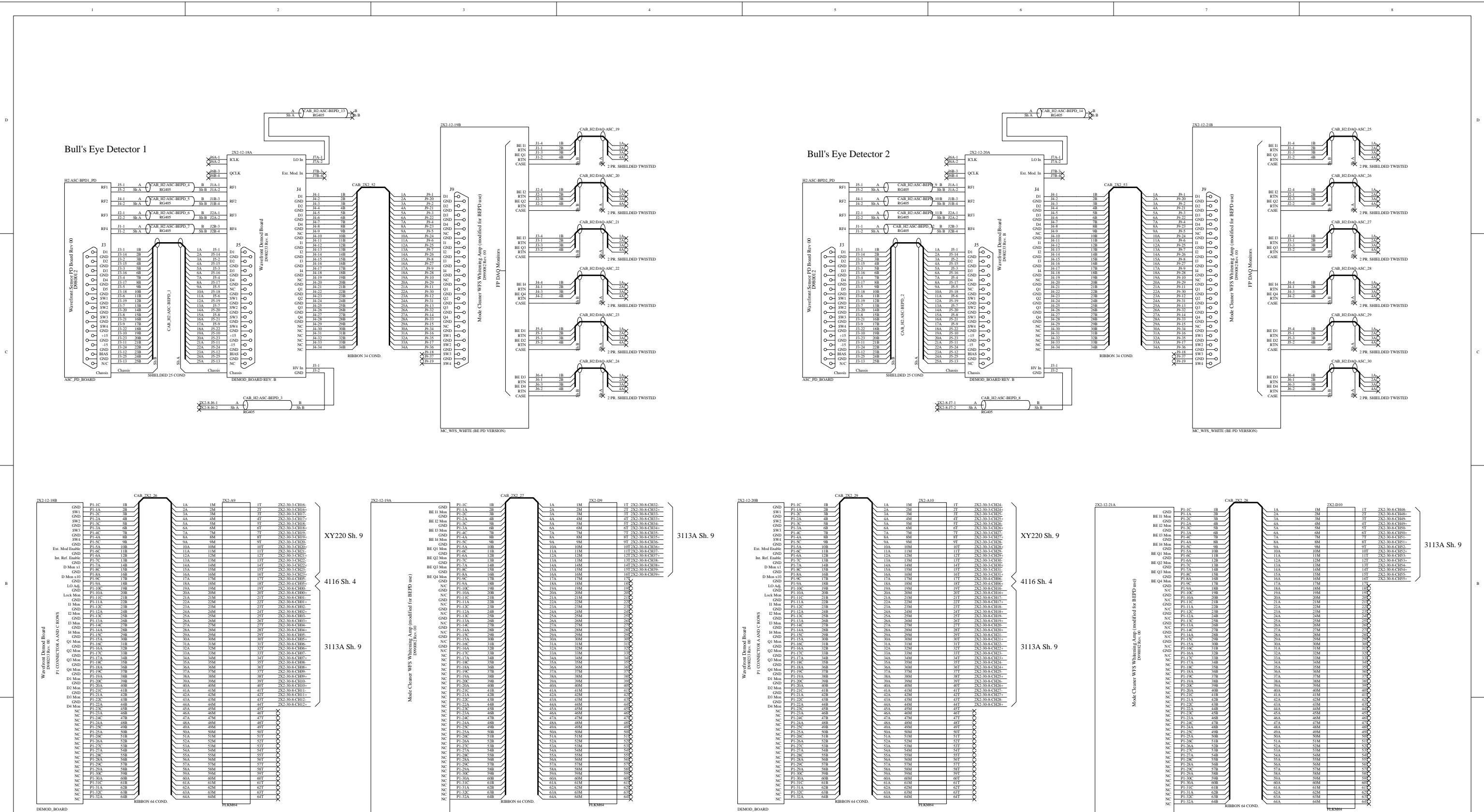
WFS 5 DAQ Connections for DC Signals

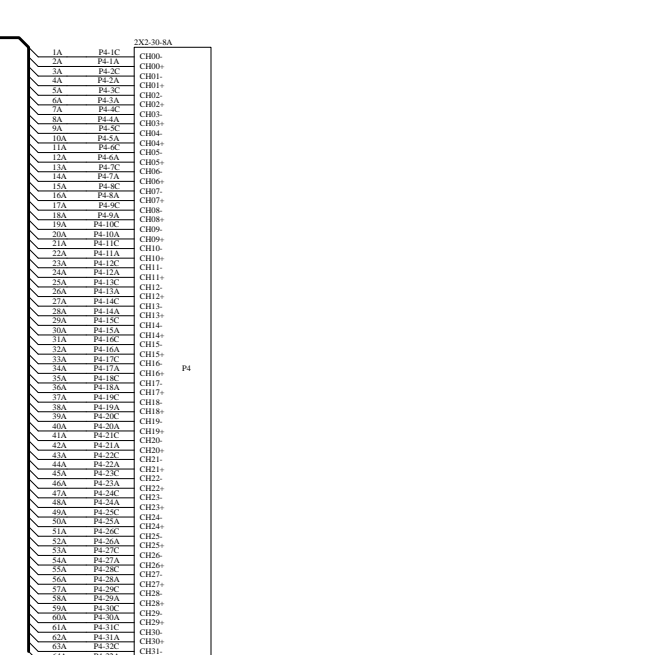
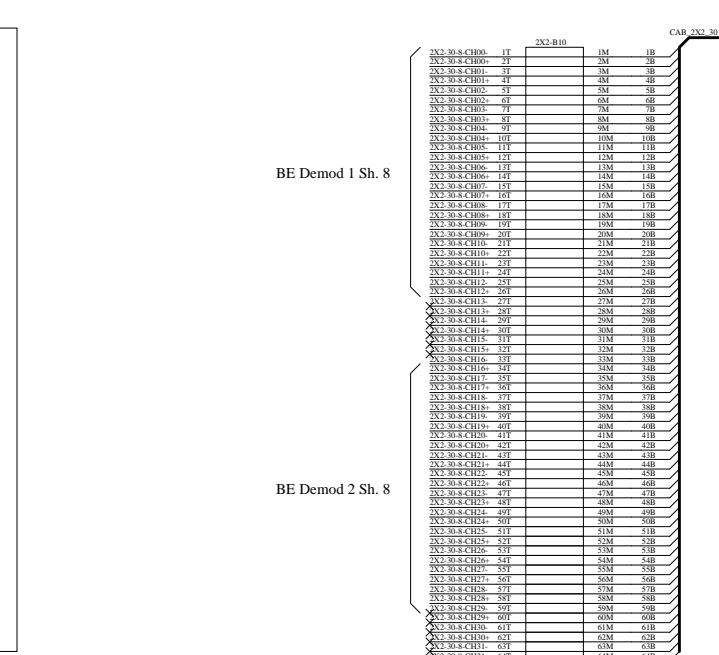
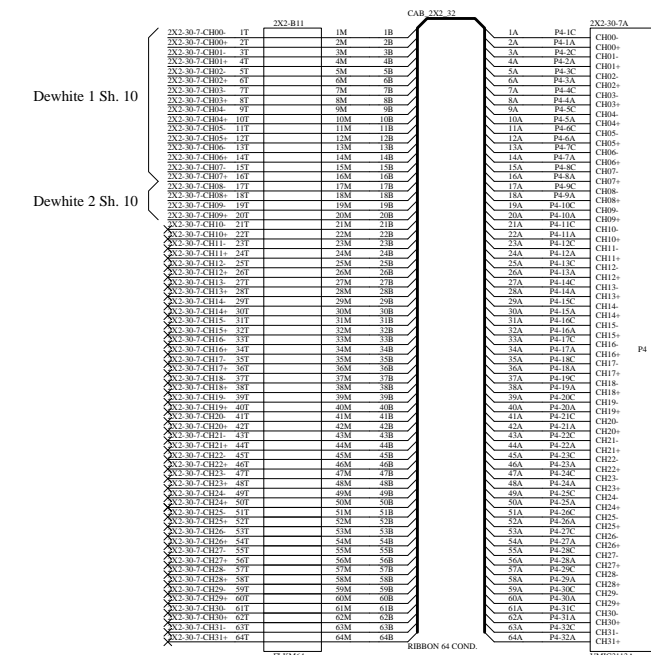
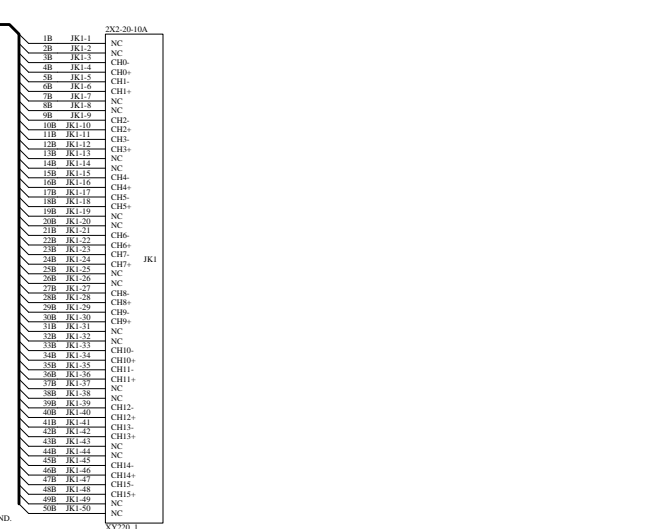
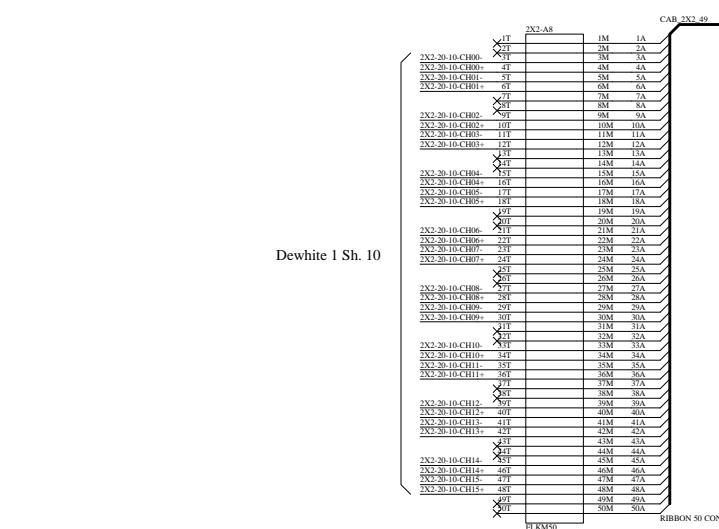
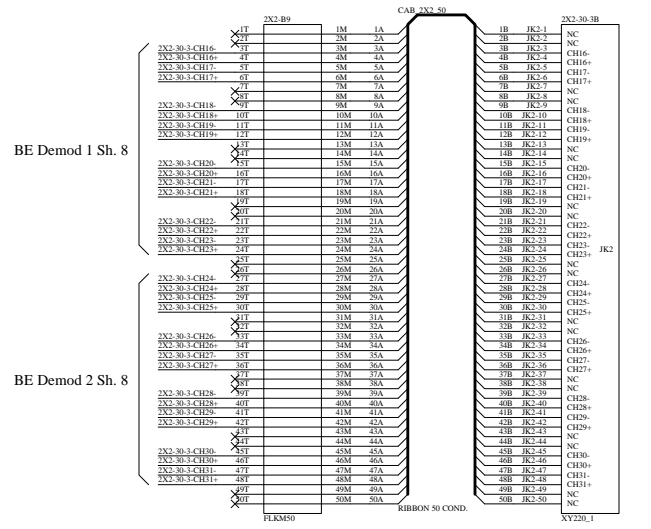


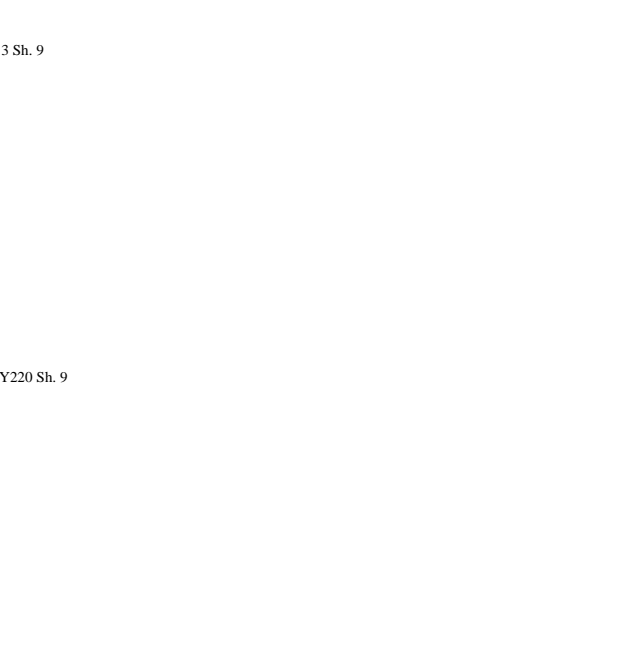
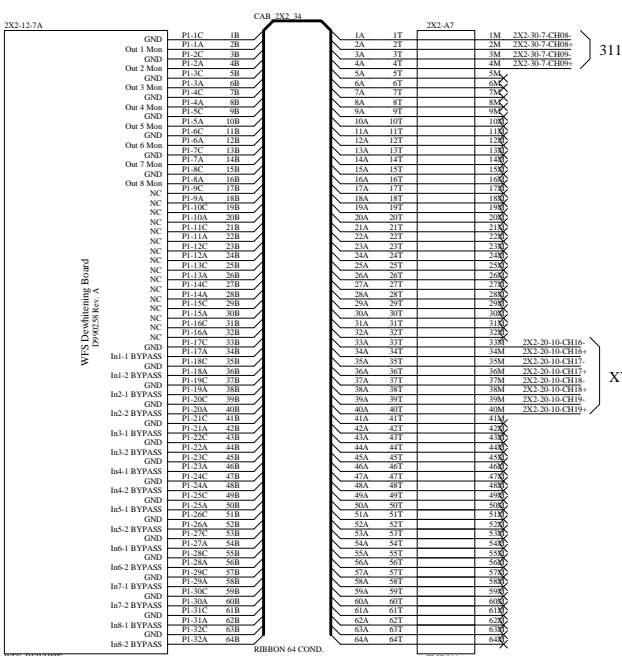
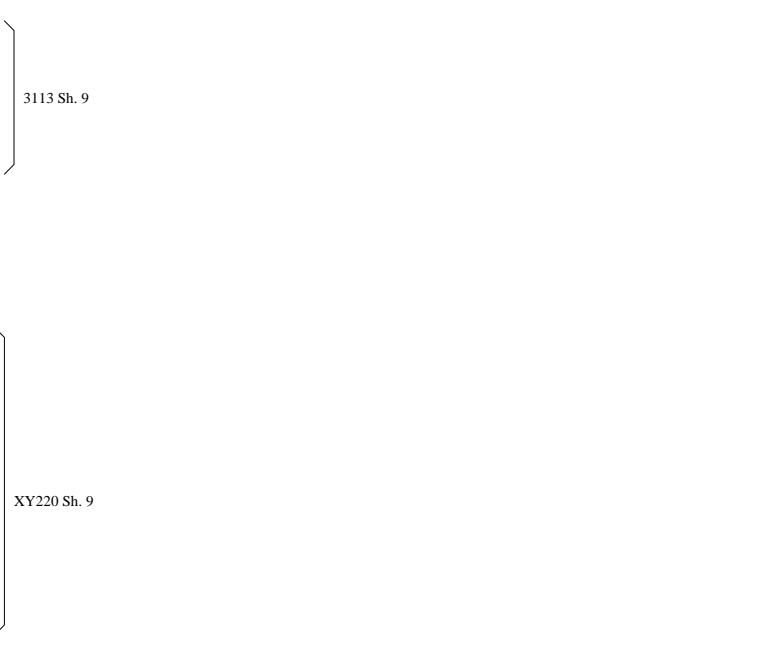
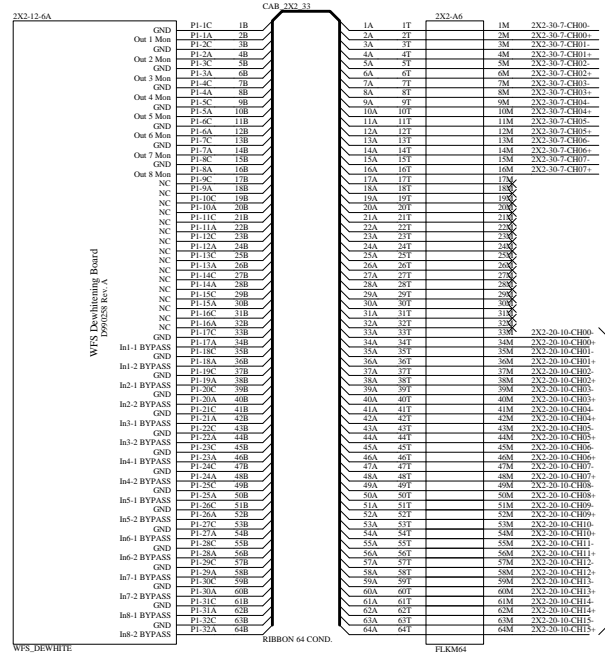
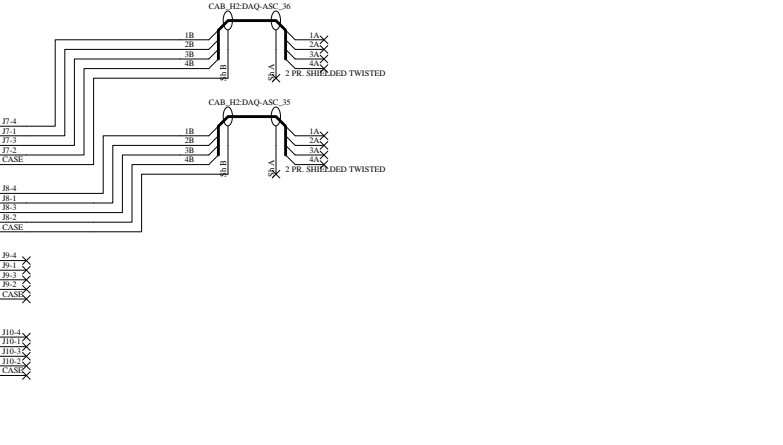
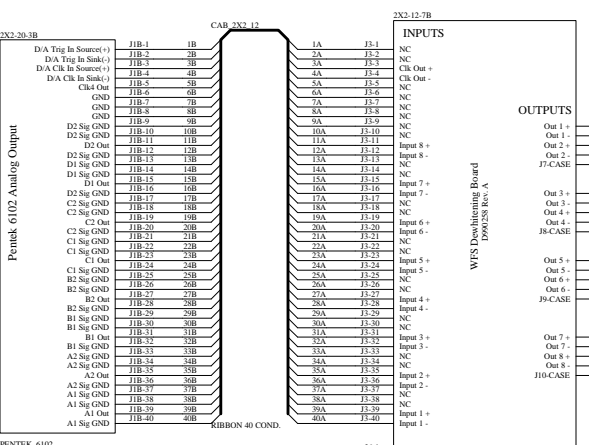
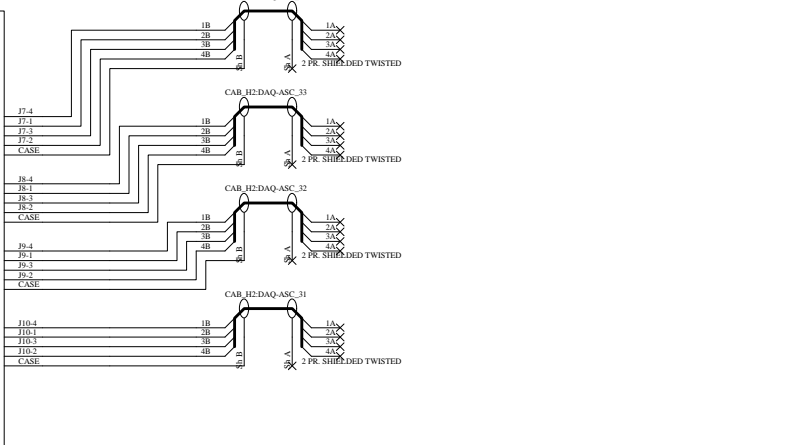
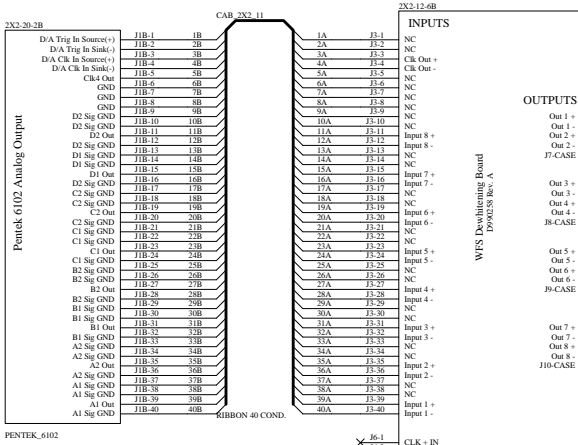
Note:
1. There are actually 3 P2 bus connections. One for WFS 1&2 connections, one for WFS 3&4 connections and one for WFS 5 connections.

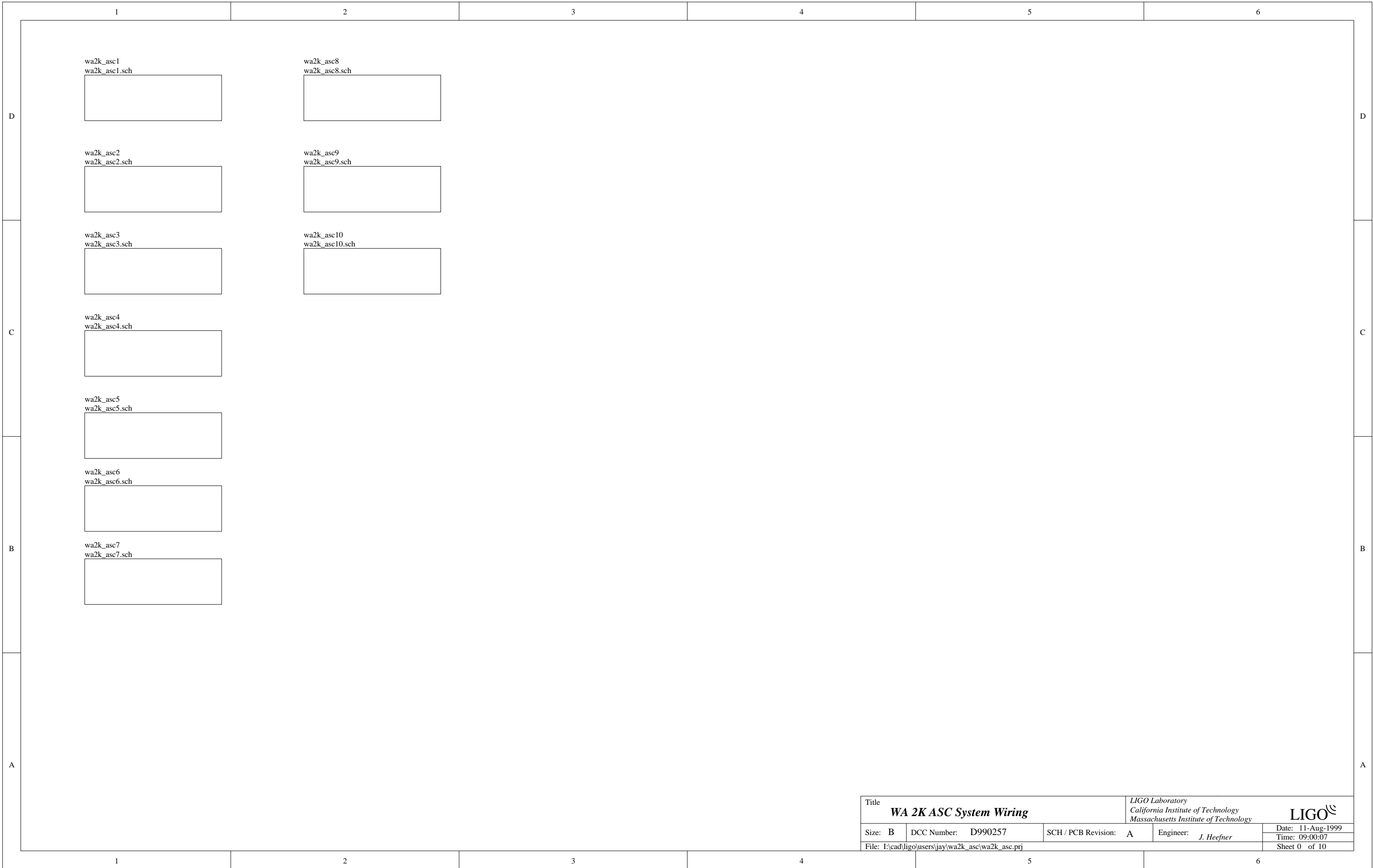
Note:
Power Connections for Eurocard modules are made through the backplane and are designated as XXBP1. Bulk power supply connections to the eurocard backplane lugs are designated +XX.











Title		<i>WA 2K ASC System Wiring</i>		LIGO Laboratory California Institute of Technology Massachusetts Institute of Technology		LIGO	
Size: B	DCC Number: D990257	SCH / PCB Revision: A	Engineer: J. Heefner	Date: 11-Aug-1999	Time: 09:00:07		
File: I:\cad\ligo\users\jay\wa2k_asc\wa2k_asc.prj				Sheet 0 of 10			