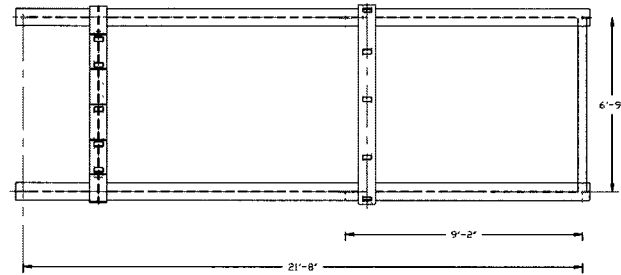
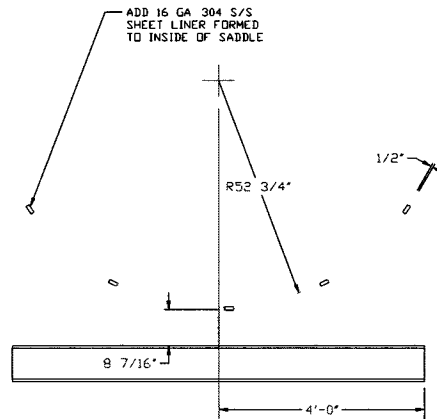


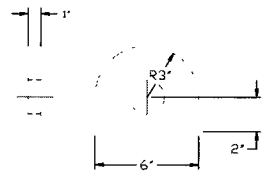
SADDLE DETAIL "C"
SCALE: 3/4"=1'-0"



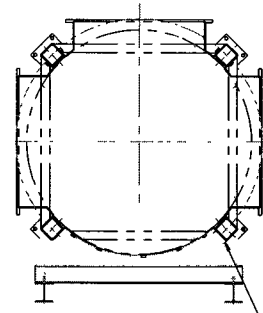
PLAN



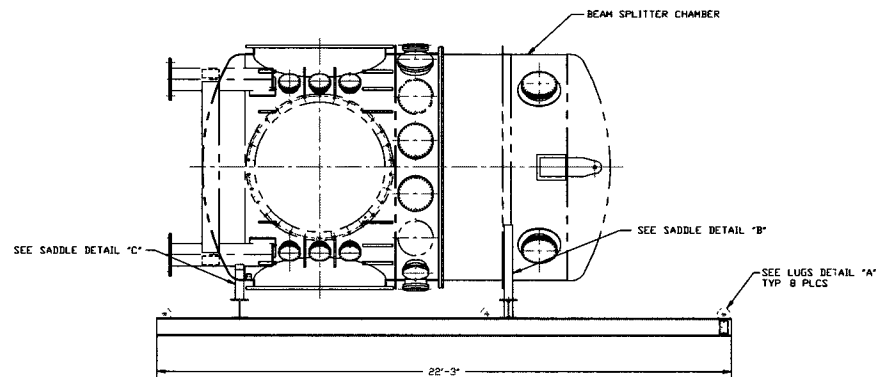
SADDLE DETAIL "B"
SCALE 3/4"=1'-0"



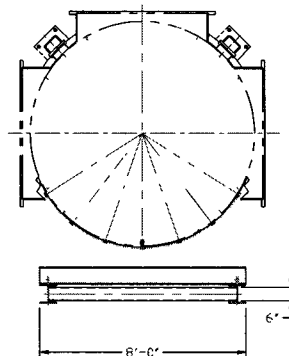
LUG DETAIL "A"
SCALE 3"=1'-0"
QTY 8



ADD WOOD SHIMS AS REQUIRED TO SUPPORT BSC LEGS DURING SHIPPING



ELEVATION



ELECTRONIC COPY

- NOTE
- 1 ALL SADDLE AND BEAM CARBON STEEL MATERIAL TO BE A36
 - 2 FABRICATION AND PAINTING TO BE IN ACCORDANCE WITH PSI SPEC V049-4-139

LIGO-D990289-00-V

NOT FOR COMMERCIAL USE

DWG NO	DESCRIPTION	DWG NO	DESCRIPTION
	REFERENCE DRAWINGS		

REV	DESCRIPTION	CHKD	DRWN	DATE	DESB
0	ISSUED FOR FABRICATION		PV	02/08/97	0433

PROCESS SYSTEMS INTERNATIONAL, INC. <small>20 HULLUP DR WESTBOROUGH MASSACHUSETTS 01581 USA</small>			
CAR FILE	SIZE	DWG NO	REV
V0494199	D	V049-4-199	0
SCALE	AS NOTED	SHEET	1 OF 1

FEB 10 1997 11 46 24