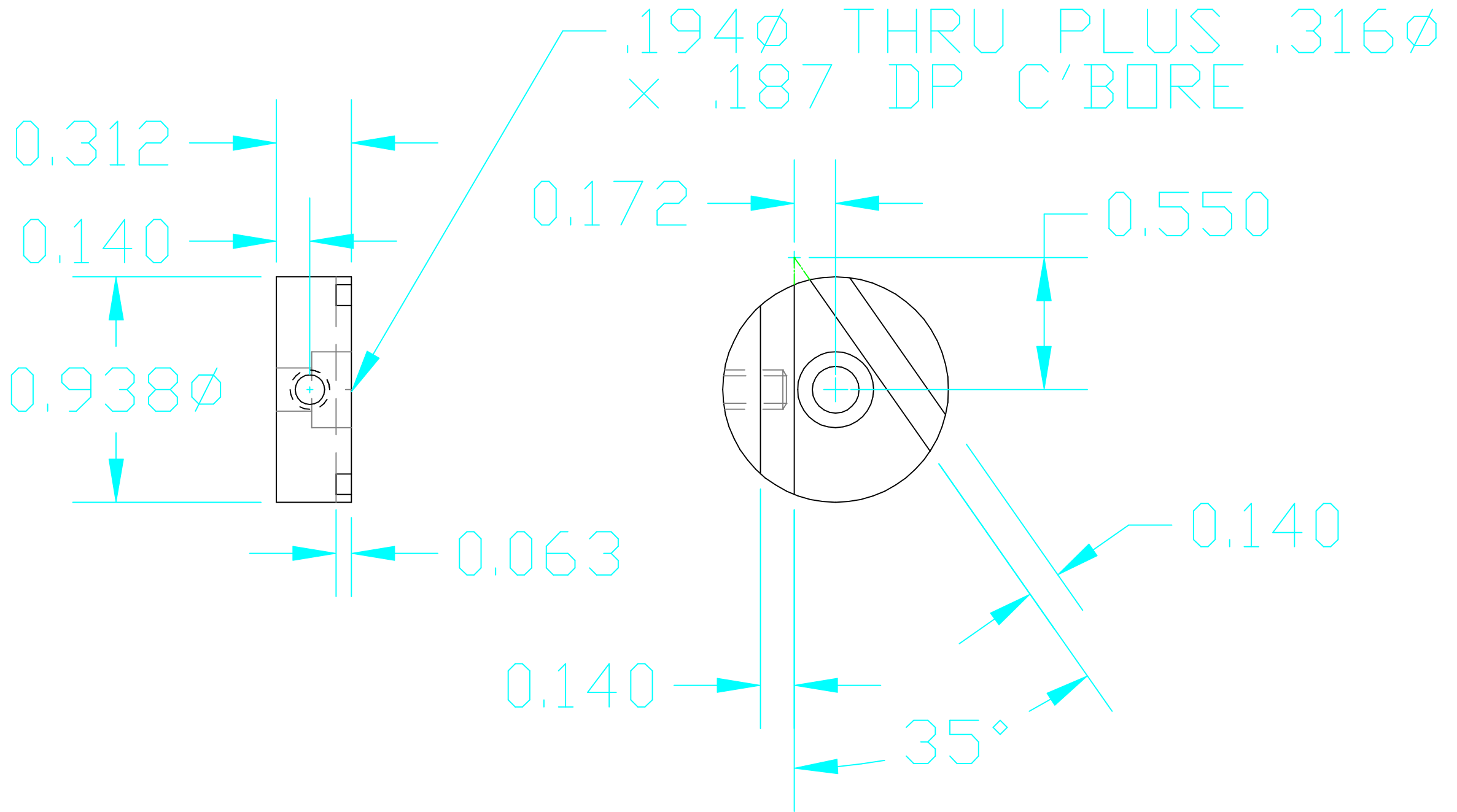


1. CLEAR ANODIZE PER MIL-A-8625



		UNLESS OTHERWISE SPECIFIED DIMENSIONS ARE IN INCHES													CALIFORNIA INSTITUTE OF TECHNOLOGY MASSACHUSETTS INSTITUTE OF TECHNOLOGY						
		TOLERANCES: FRACTIONAL ±1/16(.16) ANGULAR ± 1° TWO PLACE DECIMAL ±.01(.025) THREE PLACE DECIMAL ±.005(.013)		FINISHED SURFACE RMS 63 BREAK CORNERS IN: OUT: .02 REMOVE ALL BURRS												BEAM DUMP BASE ISC TABLE ASSEMBLY LSC PHOTODIODE ASSEMBLY					
		MATERIAL: 6061-T6	HEAT TREAT: -	FINISH: -	A INITIAL RELEASE										MASON 3/00						
					00 PRE-RELEASE										K.MASON 5/12/99						
DWG. NO.	DESCRIPTION	USED ON: -	NEXT ASS'Y: D980327-A	REV		DESCRIPTION	DCC	SYS	DET	CDS	VE	CC	BT	CHECK	DRWN	DATE	CAD FILE	SCALE	SIZE	DWG. NO.	SHEET
6	REFERENCE DRAWINGS																D990347-A	2:1	B	D990347-A-D	1 OF 1