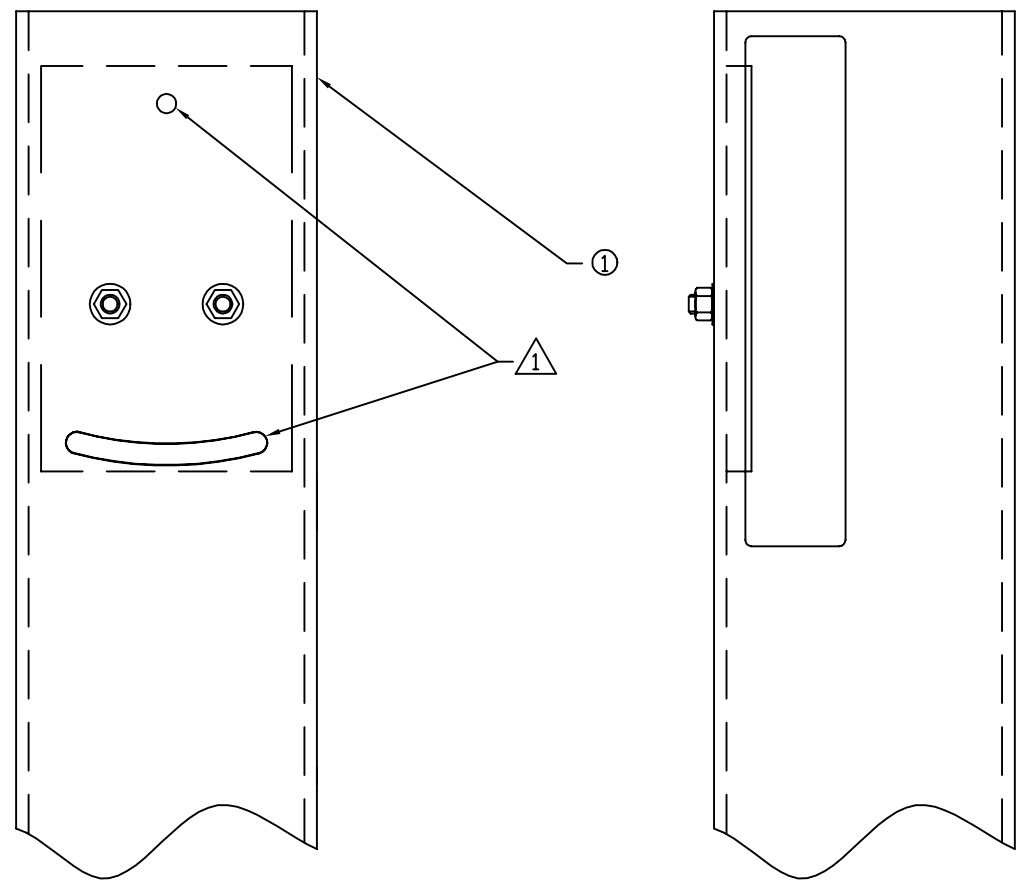
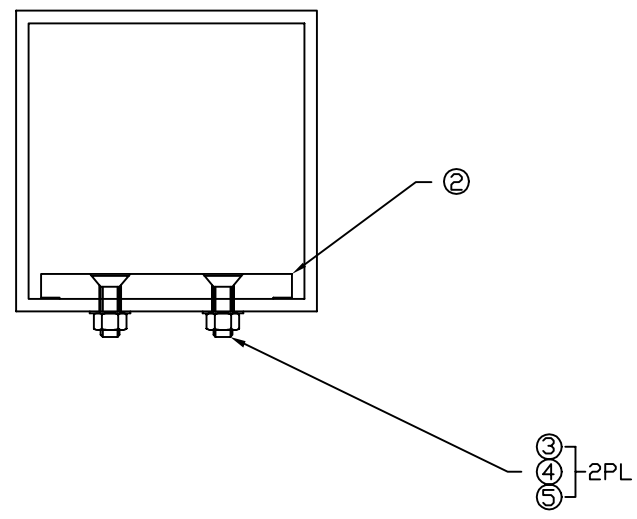


NOTES: (UNLESS OTHERWISE SPECIFIED)  
 △ ALIGN NOTED MATING FEATURES IN ITEMS I & 2 AS FOLLOWS:  
 ALIGN HOLES USING A SIZE V ( $\phi.377$ ) OR W ( $\phi.386$ ) DRILL ROD OR EQUIVALENT. ROTATE SLOTS INTO ALIGNMENT BY EYE, THEN FASTEN HARDWARE.



REF.	QTY.	PART or DRWG No.	NOMENCLATURE or DESCRIPTION	MATERIAL
5	2	U-C Components WFV-38	.39 ID X .625 OD X .032 THICK FLAT WASHER	18-8 ST STEEL
4	2	McM-Carr 94804A320	3/8-16 HEX NUT	316 ST STEEL
3	2	McM-Carr 90585A626	3/8-16 X 1.25 SOCKETED FLAT HEAD SCREW	316 ST STEEL
2	1	D990140	HOUSING PLATE	-
1	1	D990252	HOUSING TUBE	-
REF.	QTY.	PART or DRWG No.	NOMENCLATURE or DESCRIPTION	MATERIAL

PARTS and MATERIAL LIST

		UNLESS OTHERWISE SPECIFIED DIMENSIONS ARE IN INCHES							LIGO CALIFORNIA INSTITUTE OF TECHNOLOGY MASSACHUSETTS INSTITUTE OF TECHNOLOGY			
		TOLERANCES: FRACTIONAL ± ANGULAR ± ANGULAR MACH ± BEND ± TWO PLACE DECIMAL		THREE PLACE DECIMAL FINISHED SURFACE RMS BREAK CORNERS IN OUT REMOVE ALL BURRS						CAVITY BEAM DUMP HOUSING ASSEMBLY BSC2, 4KITMXAR1 & 4KITMYAR1 BSC4, 2KITMXAR1, 2KITMYAR1, & 2KRMHR3		
		MATERIAL:	HEAT TREAT:	FINISH:	A	DCN E990244		Conley	6-7-99	CAD FILE	SIZE DWG. NO.	
DWG. NO.	DESCRIPTION	USED ON:	NEXT ASS'Y:	D990230	REV	DESCRIPTION	APPR'D	CHECK	DRWN	DATE	B D990403-A	
REFERENCE DRAWINGS					ISSUE DESCRIPTION				SCALE	NTS	SHEET	1 OF 1