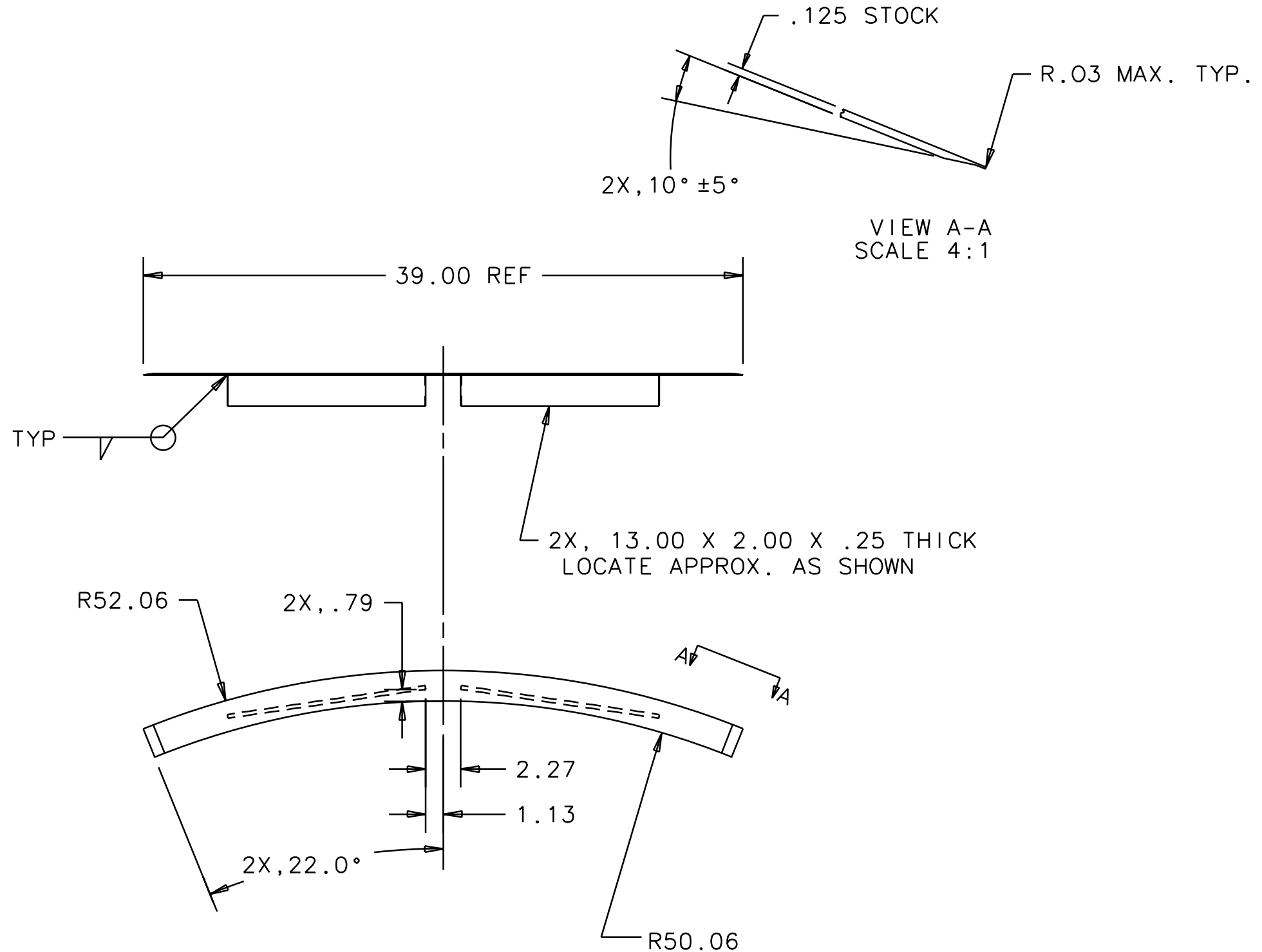


NOTES: (UNLESS OTHERWISE SPECIFIED)
 1. DIMENSIONS IN INCHES.
 2. REMOVE ALL BURRS AND SHARP EDGES.

REV	DATE	DRAWN BY	CHECKED	DCC	DCN/DESCRIPTION
A	6-17-99	J.Romie			E990255/INITIAL RELEASE



QTY REQD	FSCM NO	PART OR IDENTIFYING NO	NOMENCLATURE OR DESCRIPTION	MATERIAL SPECIFICATION	ITEM NO
PARTS LIST					
UNLESS OTHERWISE SPECIFIED DIMENSIONS ARE IN INCHES TOLERANCES ARE: FRACTIONS DECIMALS 0.XX = ±0.01 0.XXX = ±0.005 ANGLES = ±0.5° DO NOT SCALE DRAWING			APPROVALS DRAWN J.Romie CHECKED	DATE 6/99	LIGO CALIFORNIA INSTITUTE OF TECHNOLOGY MASSACHUSETTS INSTITUTE OF TECHNOLOGY TITLE BRIDGE SPANNER
NEXT ASSEMBLY D980182 FILE LOCATION /home/dcc/docs/D990409.pdf			MATERIAL 300 SERIES STAINLESS FINISH NONE		