

6

5

4

3

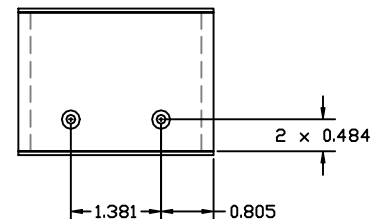
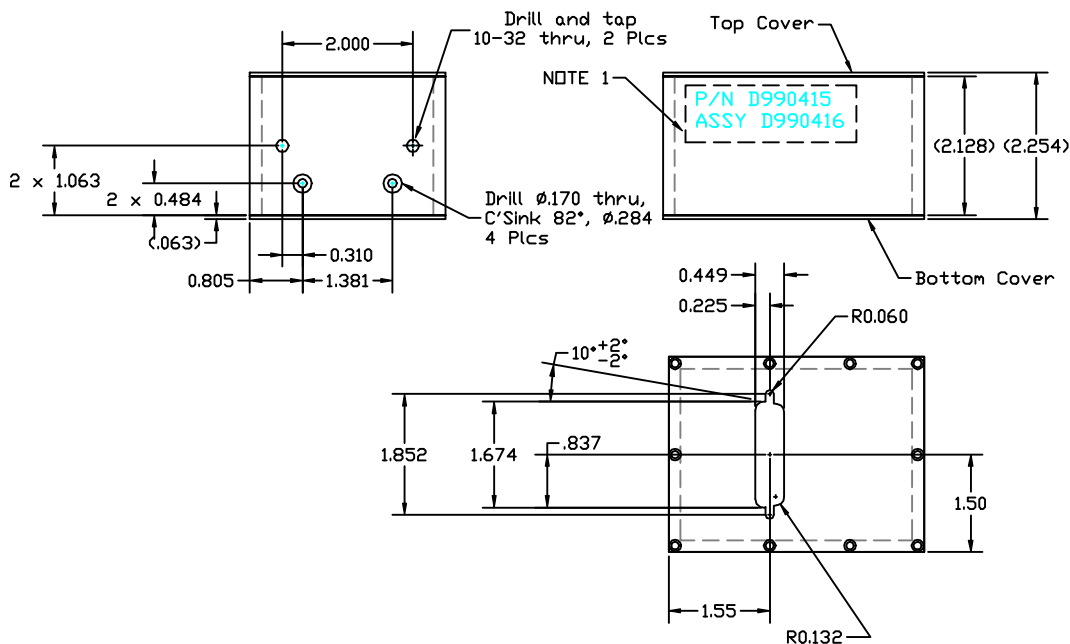
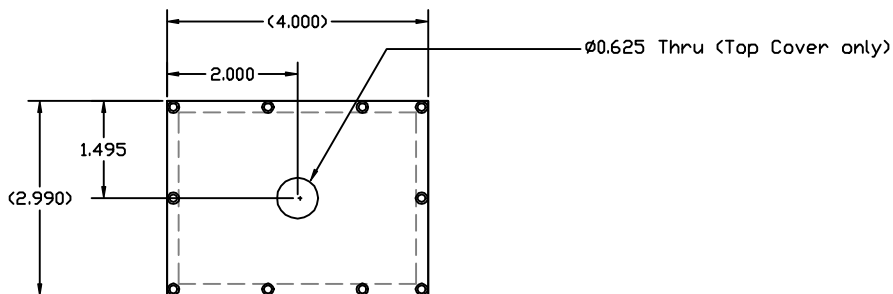
2

1

NOTES:

1. Vibroetch in .12 high characters approximately where shown.

2. Make from Compaq Development Corp P/N R54030-212-0



REF	QTY	PART or DRWG No.	CDS	MATERIAL
PARTS and MATERIAL LIST				
LIGD CALIFORNIA INSTITUTE OF TECHNOLOGY MASSACHUSETTS INSTITUTE OF TECHNOLOGY				
QUAD DIODE MOUNTING BOX ETM TRANSMISSION MONITOR				
D990415-A C D990415-A-D				
SCALE FULL SHEET 1 of 1				

DRWG. NO.	DESCRIPTION	MATERIAL	HEAT TREAT	FINISH
6	REFERENCE DRAWINGS	6061-T6 ALUM.	-	

UNLESS OTHERWISE SPECIFIED
DIMENSIONS ARE IN FEET (in)

TOLERANCES:
FRACTIONAL ±1/16(3/16) FINISHED SURFACE RMS
ANGULAR ±1° BREAK CORNERS .02
TWO PLACE DECIMAL ±.01(.025) REMOVE ALL BURRS
THREE PLACE DECIMAL ±.005(.013)

USED DRWG - NEXT ASS'Y - D990416

REV	DESCRIPTION	DCC	SYS	DET	CDS	VE	CC	BT	CHECK	DRWN	DATE
A	change holes to 10-32, RELEASE									smith	10/99
00	PRE-RELEASE									M. SMITH	6/99

6

5

4

3

2

1