

1

2

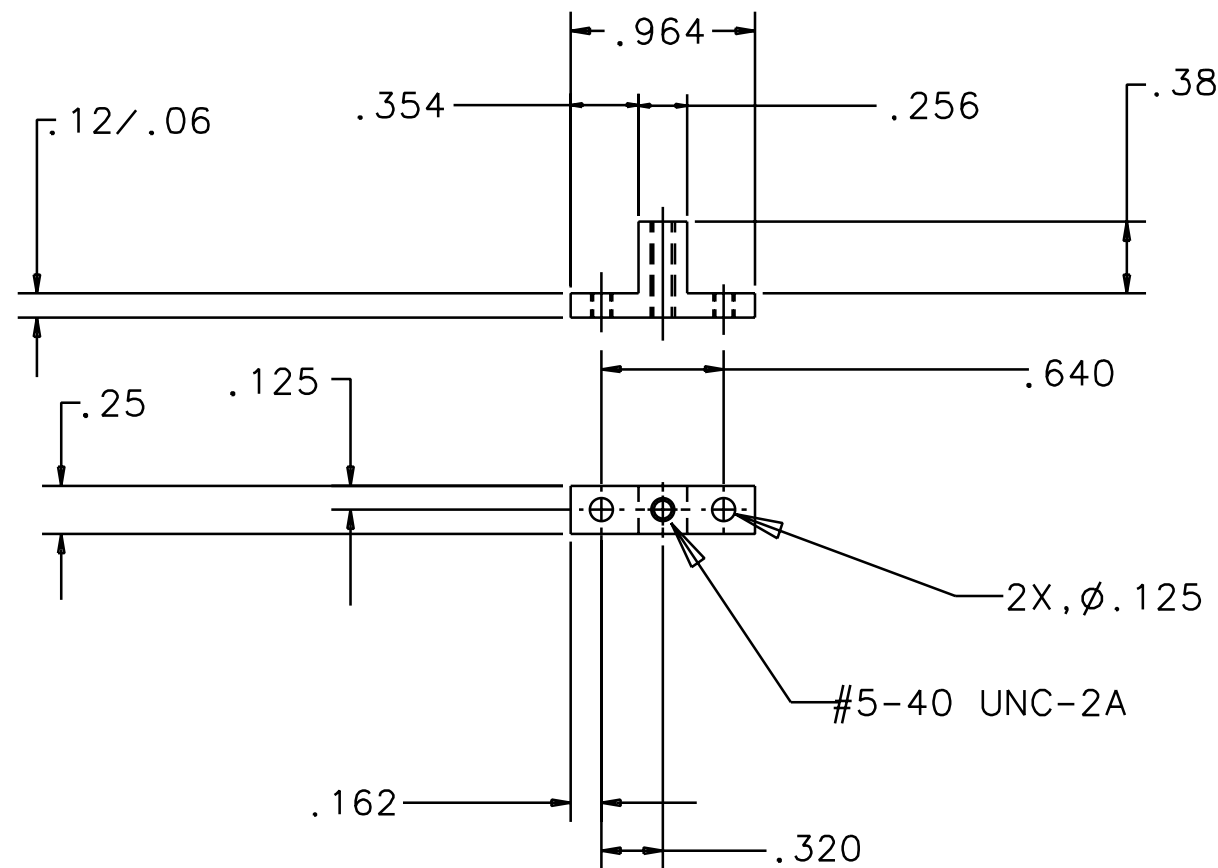
3

4

NOTES: (UNLESS OTHERWISE SPECIFIED)

- 1. REMOVE ALL SHARP EDGES.
- 2. MATERIAL: 6061-T6 ALUMINUM.

REV	DATE	DRAWN BY	CHECKED	DCC	DCN/DESCRIPTION



QTY REQD	FSCM NO	PART OR IDENTIFYING NO	NOMENCLATURE OR DESCRIPTION	MATERIAL SPECIFICATION	ITEM NO
PARTS LIST					
UNLESS OTHERWISE SPECIFIED DIMENSIONS ARE IN INCHES TOLERANCES ARE: FRACTIONS DECIMALS 0.XX = ±0.01 0.XXX = ±0.005 ANGLES = ±0.5° DO NOT SCALE DRAWING			APPROVALS DRAWN J. Romie CHECKED	DATE 7/99	TITLE LIGO CALIFORNIA INSTITUTE OF TECHNOLOGY MASSACHUSETTS INSTITUTE OF TECHNOLOGY PAM BRACKET, ALUMINUM
NEXT ASSEMBLY D960138, D960011	MATERIAL SEE NOTES	FINISH	B	DWG NO. D990479	REV 00
FILE LOCATION /home/dcc/docs/D990479.pdf			SCALE 1/1	SHEET 1 OF 1	

1

2

3

4