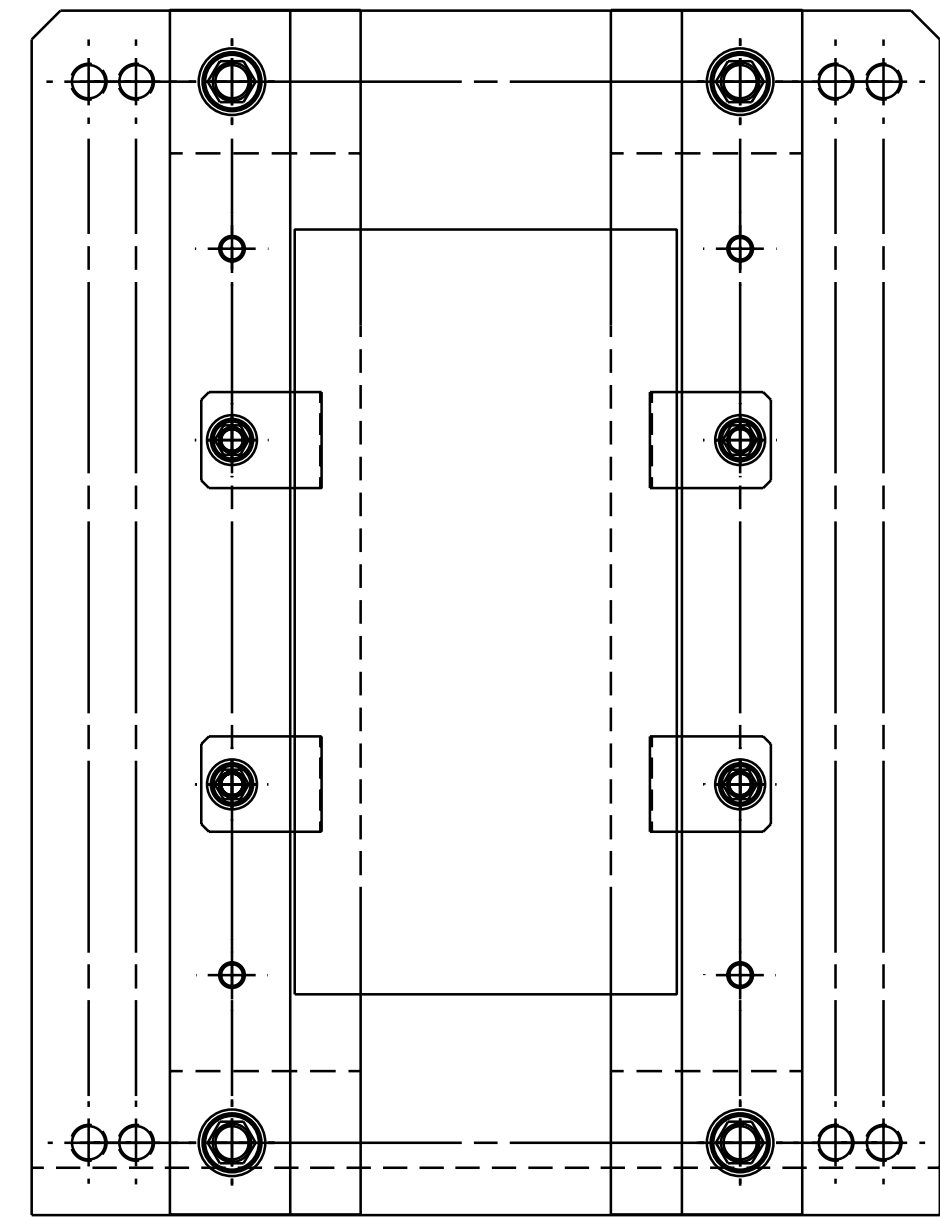
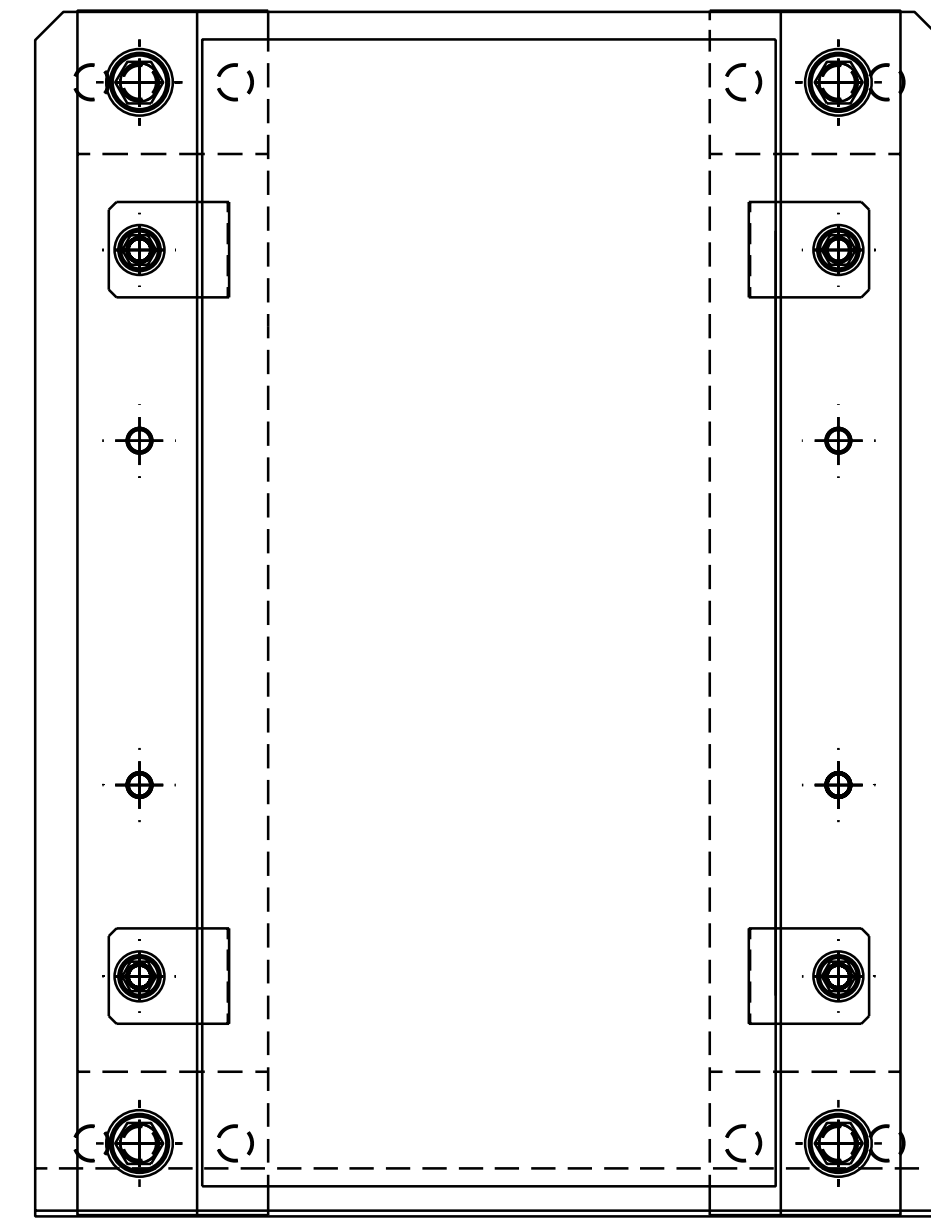


NOTES: (UNLESS OTHERWISE SPECIFIED)  
 1. ANY OF THE PIECES OF GLASS,  
 ITEMS 4,5,6 AND 7 MAY BE USED  
 WITH THE SPECIFIED HARDWARE.

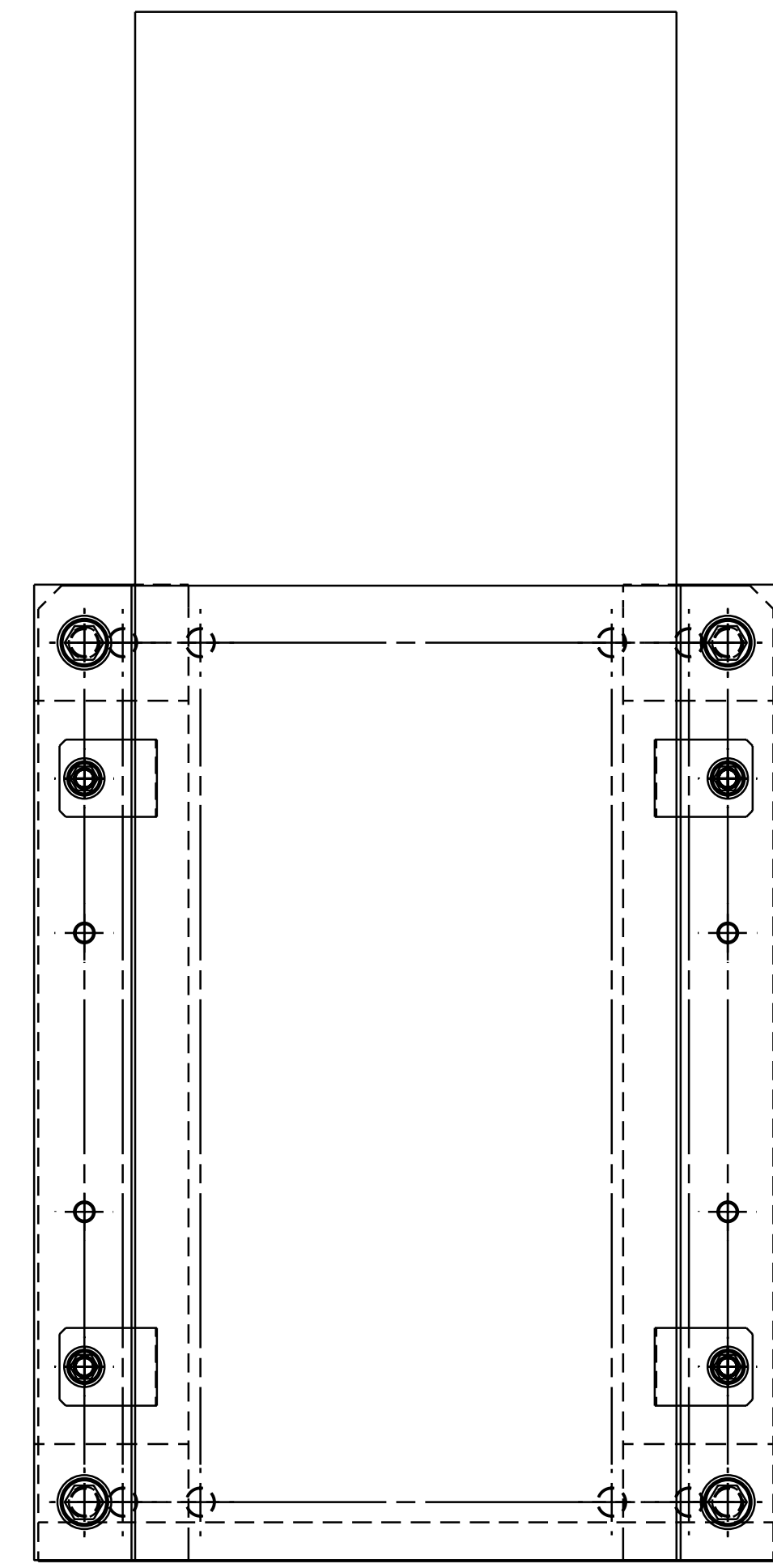
REV	DATE	DRAWN BY	CHECKED	DOC	DCN/DESCRIPTION OF CHANGE
A	11-9-99	J. Romie			E990405/INITIAL RELEASE



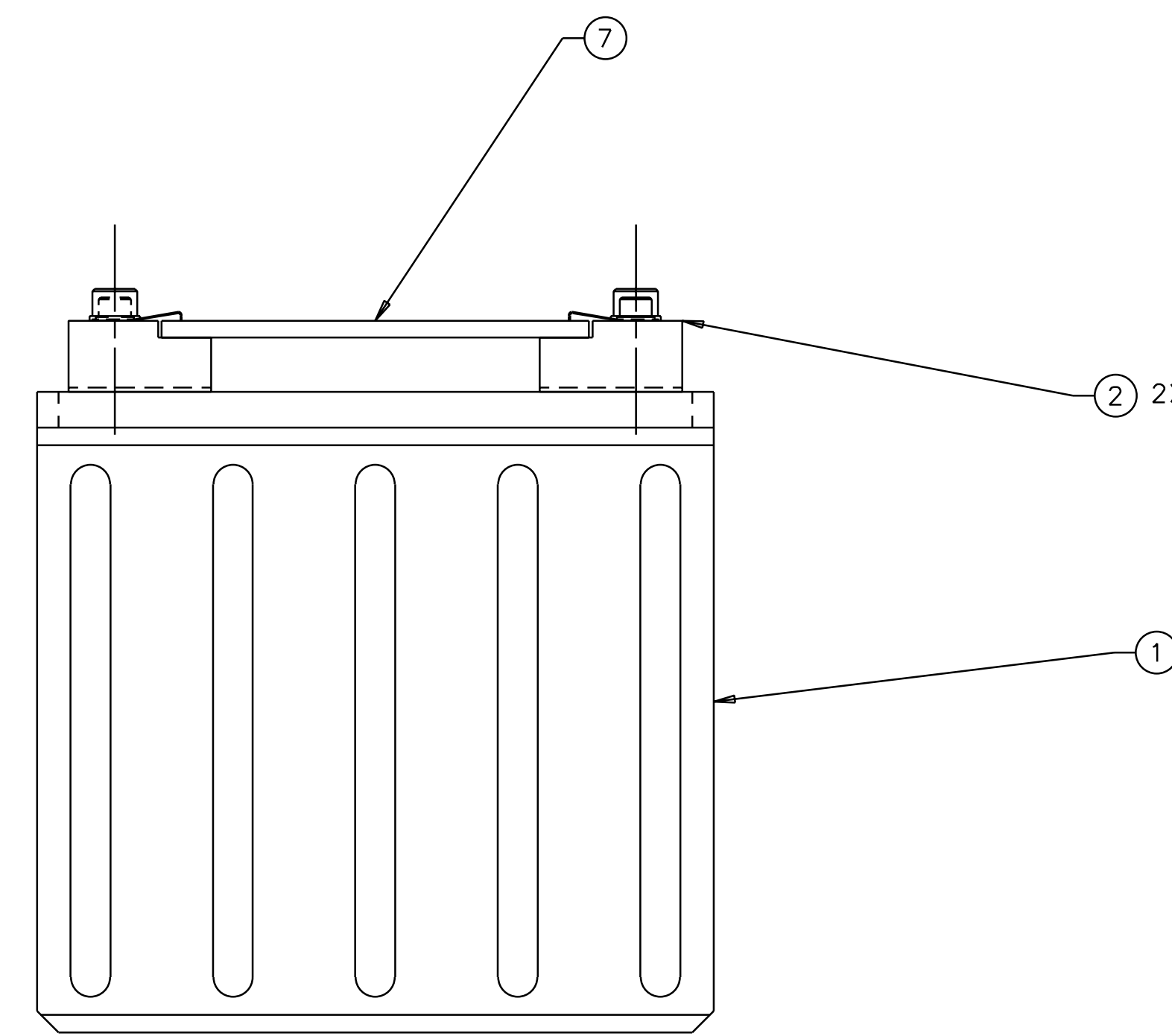
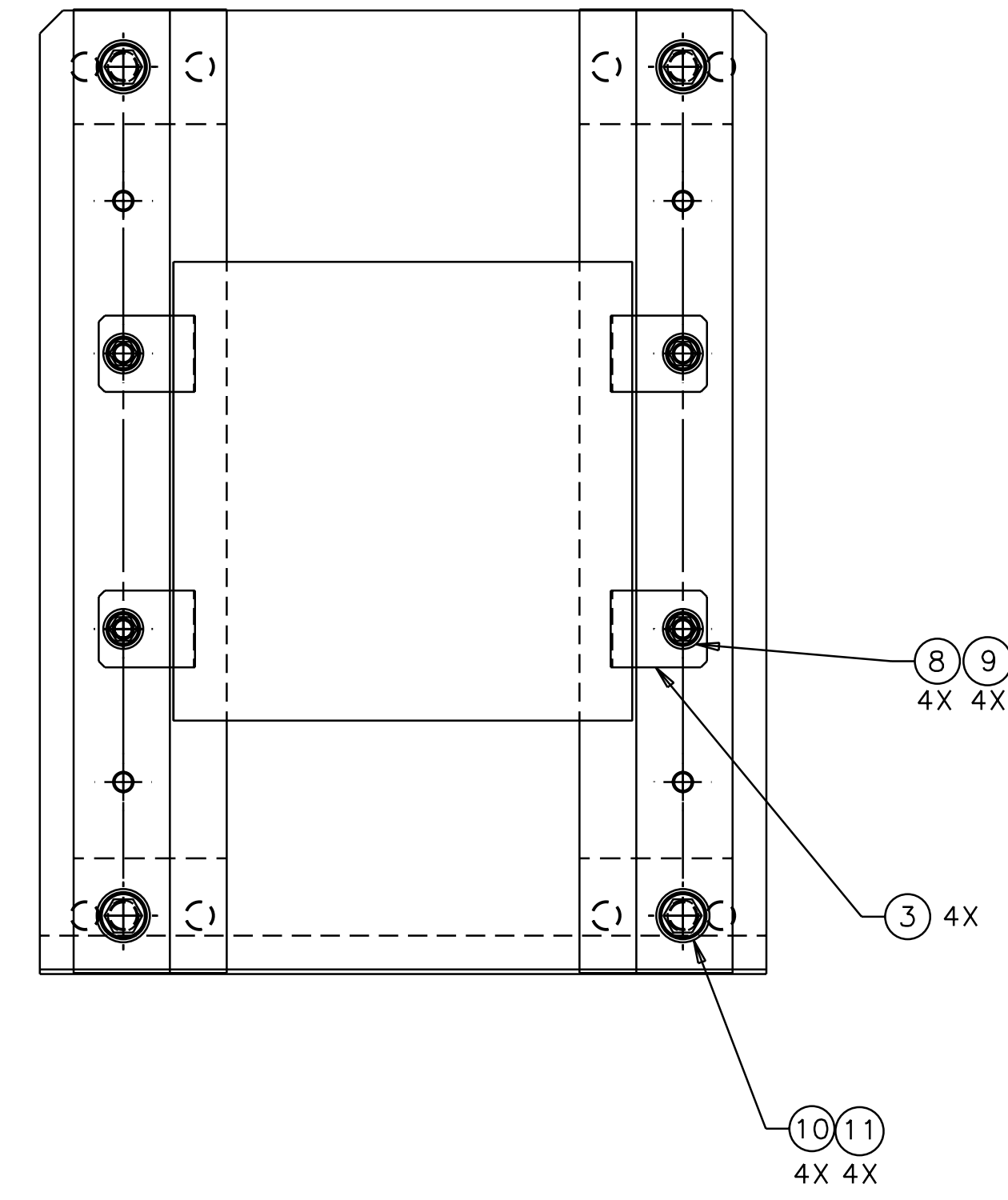
BEAM DUMP ASSEMBLY  
 WITH 2" X 4" GLASS



BEAM DUMP ASSEMBLY  
 WITH 3" X 6" GLASS



BEAM DUMP ASSEMBLY  
 WITH 3.5" X 10" GLASS



BEAM DUMP ASSEMBLY  
 WITH 3" X 3" GLASS

QTY REQD	PART OR IDENTIFYING NO	NOMENCLATURE OR DESCRIPTION	MATERIAL SPECIFICATION	ITEM NO.
				12
4	U-C COMPONENTS #WV-10	.195 IDX.354 ODX.032 THK VENTED FL WASH	STAINLESS STEEL	11
4	McMASTER CARR #92196A245	#10-24 X .75 LONG SHCS	STAINLESS STEEL	10
4	U-C COMPONENTS #WV-06	.143 IDX.267 ODX.016 THK VENTED FL WASH	STAINLESS STEEL	9
4	McMASTER-CARR #92196A144	#6-32 X .25 LONG SHCS	STAINLESS STEEL	8
1	D990486	GLASS BEAM DUMP, 3 X 3		7
REF	D990487	GLASS BEAM DUMP, 2 X 4		6
REF	D990488	GLASS BEAM DUMP, 3 X 6		5
REF	D990489	GLASS BEAM DUMP, 3.5 X 10		4
4	D980685	CLAMP		3
2	D990484	RAIL, LITTLE BEAM DUMPS		2
1	D990485	STAND, LITTLE BEAM DUMPS		1

UNLESS OTHERWISE SPECIFIED DIMENSIONS ARE IN INCHES TOLERANCES ARE: FRACTIONS DECIMALS ANGLES		APPROVALS	DATE	LIGO CALIFORNIA INSTITUTE OF TECHNOLOGY MASSACHUSETTS INSTITUTE OF TECHNOLOGY	
DO NOT SCALE DRAWING		DRWN J. Romie	8/99	TITLE LITTLE BEAM DUMP ASSEMBLIES	
NEXT ASSEMBLY	MATERIAL	CHECKED		SIZE E	REV A
FILE LOCATION /home/dcc/docs/D990490.pdf	FINISH			SCALE 1/1	SHEET 1 OF 1