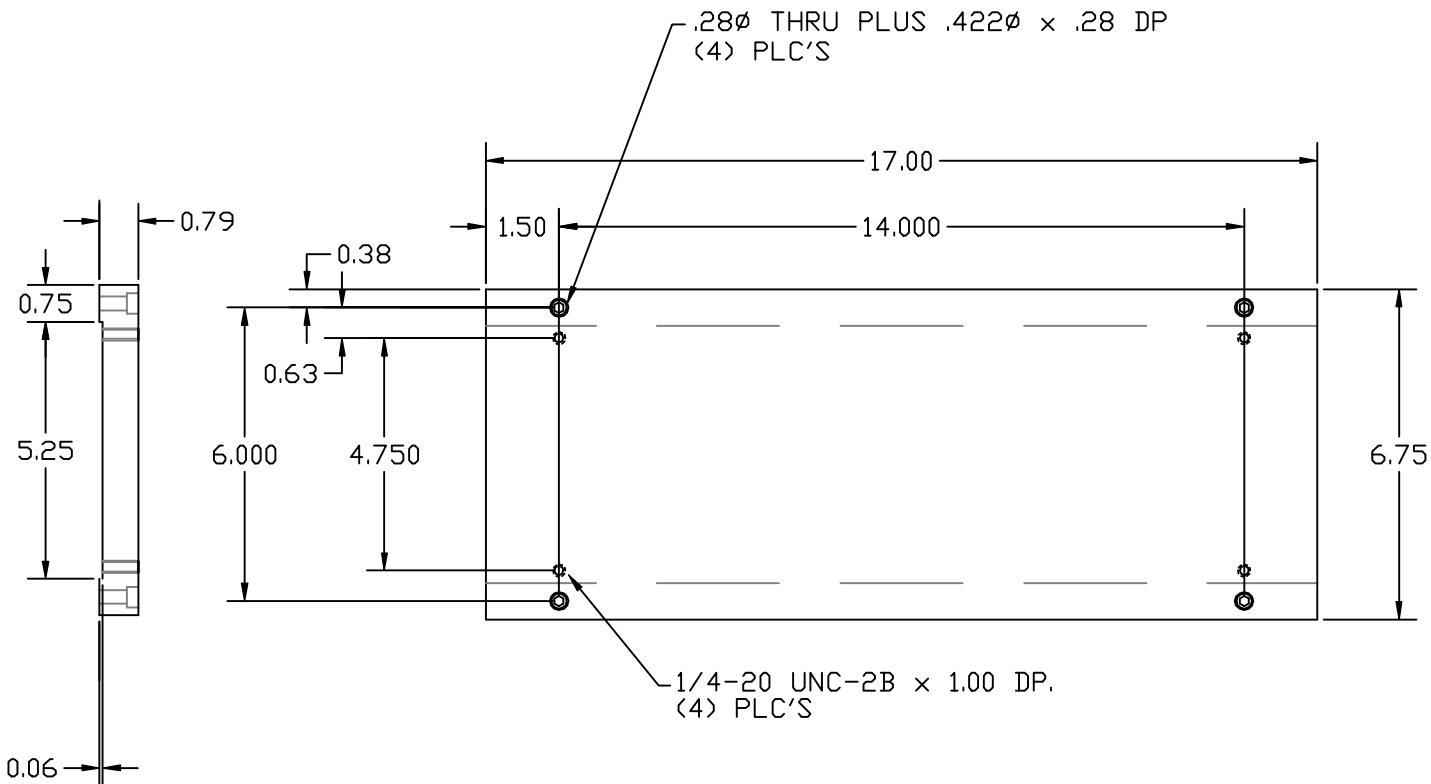


NOTES:

1. PAINTMEDIUM TEXT, PHTHALO GREEN  
SHERWIN WILLIAMS # SW-F63TX-G72



REF	QTY	PART or DRWG No.	CDS	MATERIAL
PARTS and MATERIAL LIST				
CALIFORNIA INSTITUTE OF TECHNOLOGY MASSACHUSETTS INSTITUTE OF TECHNOLOGY				
SPACER BLOCK SUPPORT STRUCTURE ETM				
DATE				SCALE
DATE				SHEET
DATE				1 of 1

UNLESS OTHERWISE SPECIFIED	HEAT TREAT.	FINISH	REV	DESCRIPTION
DIMENSIONS ARE IN FEET (in)				
TOLERANCES:				
FRACTIONAL ±1/16(1/6)		FINISHED SURFACE RMS 63		
ANGULAR ±1°		BREAK CORNERS .02		
TWO PLACE DECIMAL ±.01(0.025)		REMOVE ALL BURRS		
THREE PLACE DECIMAL ±.005(0.13)				
MATERIAL:	LOW CARBON M1028			
USED ON:	NEXT ASS'Y -			