

4

3

2

1

REVISIONS					
REV	ZONE	DESCRIPTION	ECO#	DATE	APPR.

D

D

C

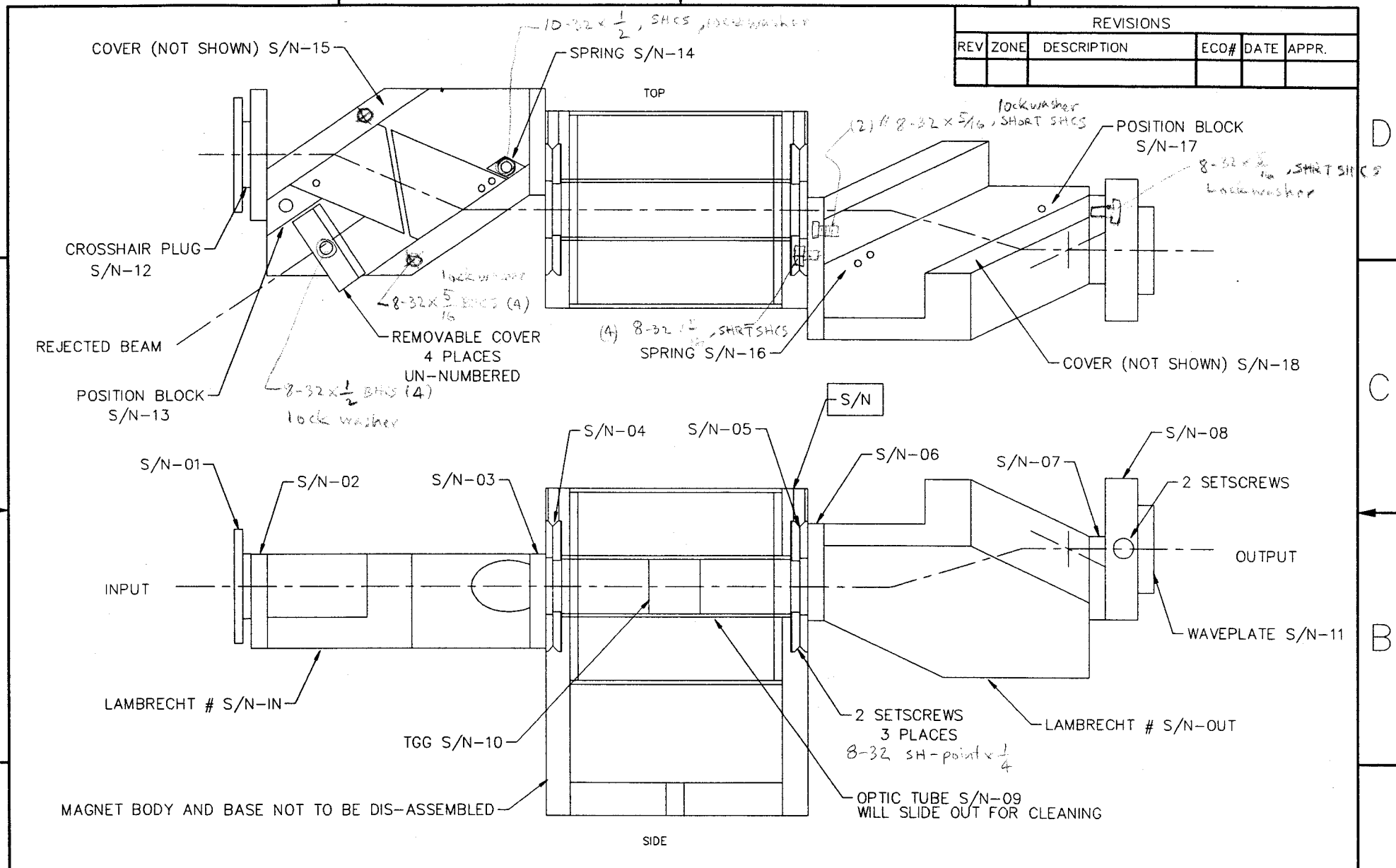
C

B

B

A

A



THIS PRINT AND THE DESIGN INFORMATION IT CONTAINS ARE THE SOLE PROPERTY OF ELECTRO-OPTICS TECHNOLOGY, INC. ("EOT") AND MAY NOT BE REPRODUCED OR COMMUNICATED TO ANY UNAUTHORIZED INDIVIDUAL OR ORGANIZATION WITHOUT PERMISSION IN WRITING FROM EOT. THIS DRAWING MUST BE RETURNED TO EOT UPON COMPLETION OF ORDER.	 THIRD ANGLE PROJECTION	DRAW JFN CHECKED APPROVED MATERIAL FINISH	DATE 2/99	ELECTRO-OPTICS TECHNOLOGY, INC 20mm ISOLATOR SIZE C DWG NO. D990536 REV 00 SCALE SHEET OF
	ALL DIMENSIONS ARE IN INCHES. SURFACES DECIMALS .X± .XX± BREAK SHARP EDGES 0.10mm ANGLES ±	APPROVED	APPROVED	
	APPROVED	APPROVED	APPROVED	
	APPROVED	APPROVED	APPROVED	