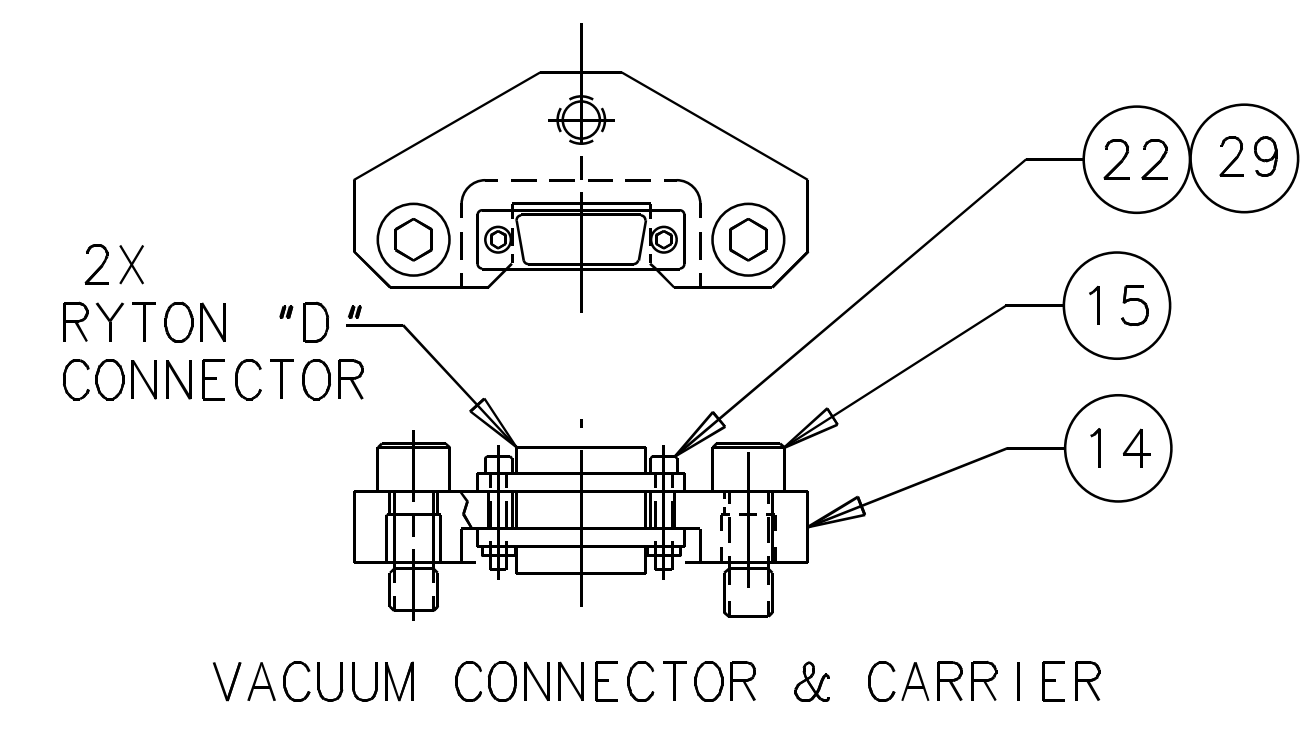
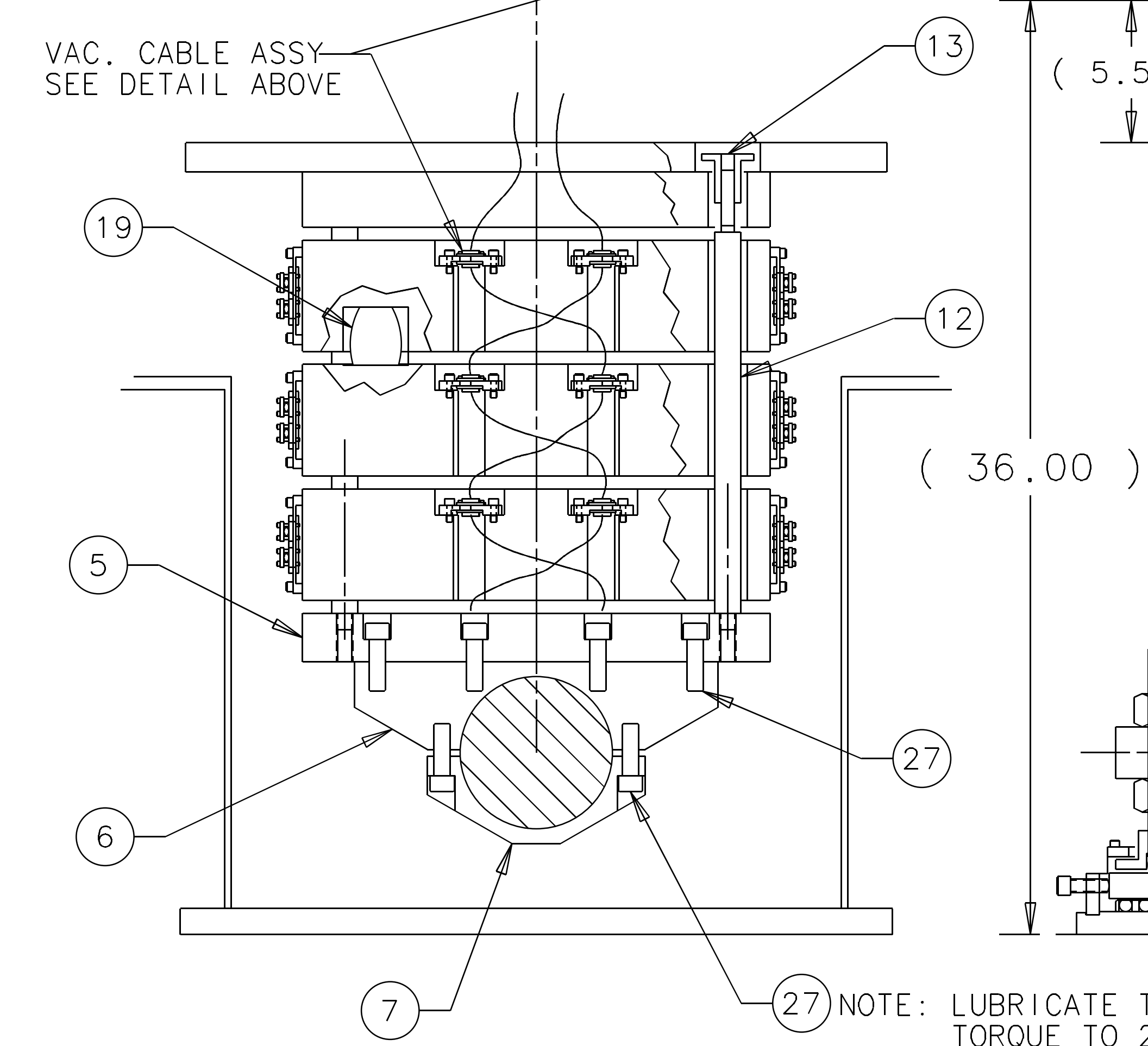
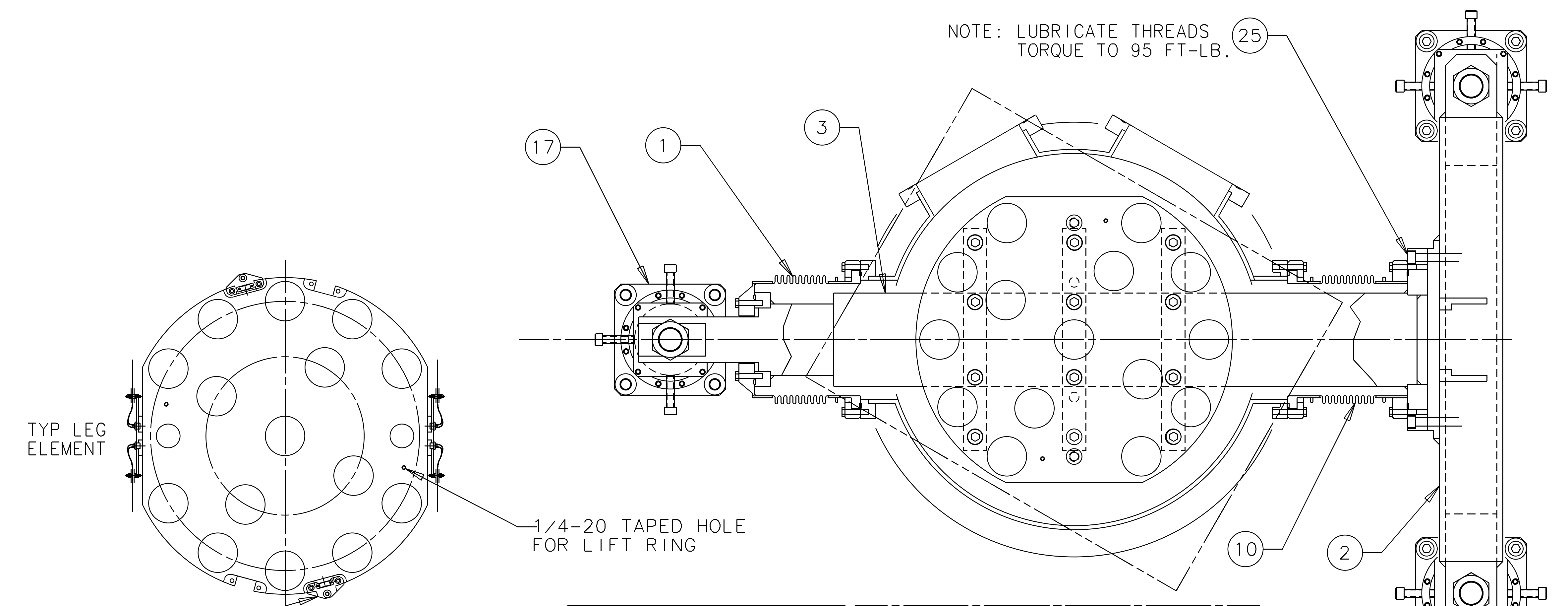


REV	DATE	DRAWN BY	CHECKED	DCC	DCN/DESCRIPTION
A	9/15/99	C. Conley			E990349-00-R

NOTES: (UNLESS OTHERWISE SPECIFIED)
 1. THIS DRAWING AND ALL ITS COMPONENT DRAWINGS HAVE BEEN RENUMBERED. THE PREVIOUS NUMBER FOR THIS DRAWING IS 1205452.



NOTE: LUBRICATE THREADS TORQUE TO 95 FT-LB.



NOTE: LUBRICATE THREADS WITH KRYTOX TORQUE TO 200 FT-LB.

QTY	PART OR IDENTIFYING NO	NOMENCLATURE OR DESCRIPTION	MATERIAL SPECIFICATION	ITEM NO
				30
24		#4-40 HEX NUT		29
1	D990556	TOP LEG ELEMENT		28
18	78794-10F-32	UNBRAKO HIGH STRENGTH SCR		27
		5/8-18 X 2.0 CAP SCR		26
8	78794-8C-24	UNBRAKO HIGH STRENGTH SCR		25
		1/2-13 X 1.5 SHCS		24
22		1/4-20 X 1.25 VENTED SHCS		23
24		#2-56 X .50 SHCS		22
				21
				20
AR		VITON SPRINGS		19
				18
3	D990569	DRIFT COMPENSATOR ASSEMBLY		17
AR	D990563	MODIFIED CONNECTOR BRACKET		16
24	D990562	CAPTIVE SCREW		15
12	D990614	CARRIER, STACK CONNECTOR		14
2	D990561	EARTHQUAKE STOP NUT		13
2	D990560	EARTHQUAKE STOP BAR		12
2	D990559	STACK ASSEMBLY TOOL		11
1	D990558	REAR ISOLATION BELLOWS		10
1	D990557	TOP PLATE		9
1	D990556	TOP LEG ELEMENT		8
3	D990555	LOWER BEAM CLAMP		7
3	D990613	UPPER BEAM CLAMP		6
1	D990554	SUPPORT PLATE		5
3	D990552	LEG ELEMENT		4
1	D990551	SUPPORT BEAM WELDMENT		3
1	D990548	CROSS BEAM WELDMENT		2
1	D990577	7" ISOLATION BELLOWS		1

DRWN	kdr	DATE		CALIFORNIA INSTITUTE OF TECHNOLOGY MASSACHUSETTS INSTITUTE OF TECHNOLOGY LIGO PROJECT 1-Deas CAD file: D990544_A.asc dcc file: D990544-A.pdf
CHKD				
ENCR				
APPD				
UNLESS OTHERWISE SPECIFIED: DIMENSION UNITS ARE inches (mm) TOLERANCES ARE: X.XXX: X.XX: X.X: DO NOT SCALE DRAWING				ISOLATION STACK ASSY SIDE CHAMBER SCALE: NTS SHEET 1 OF 1