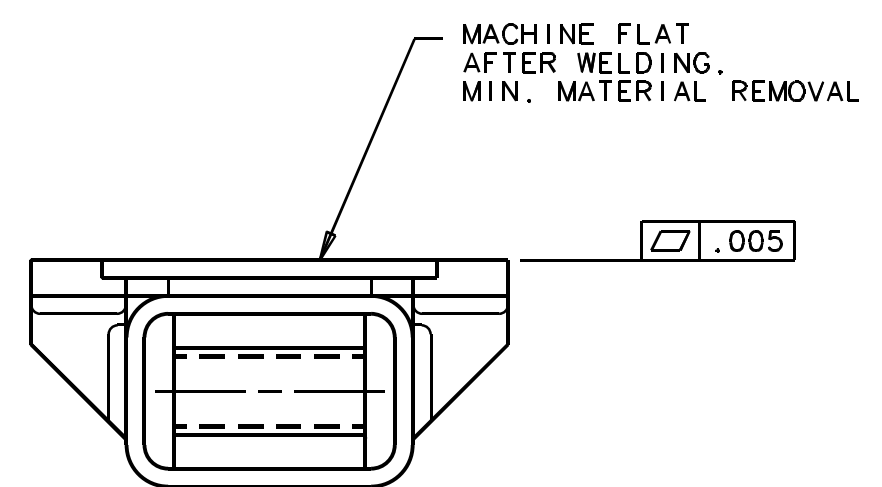
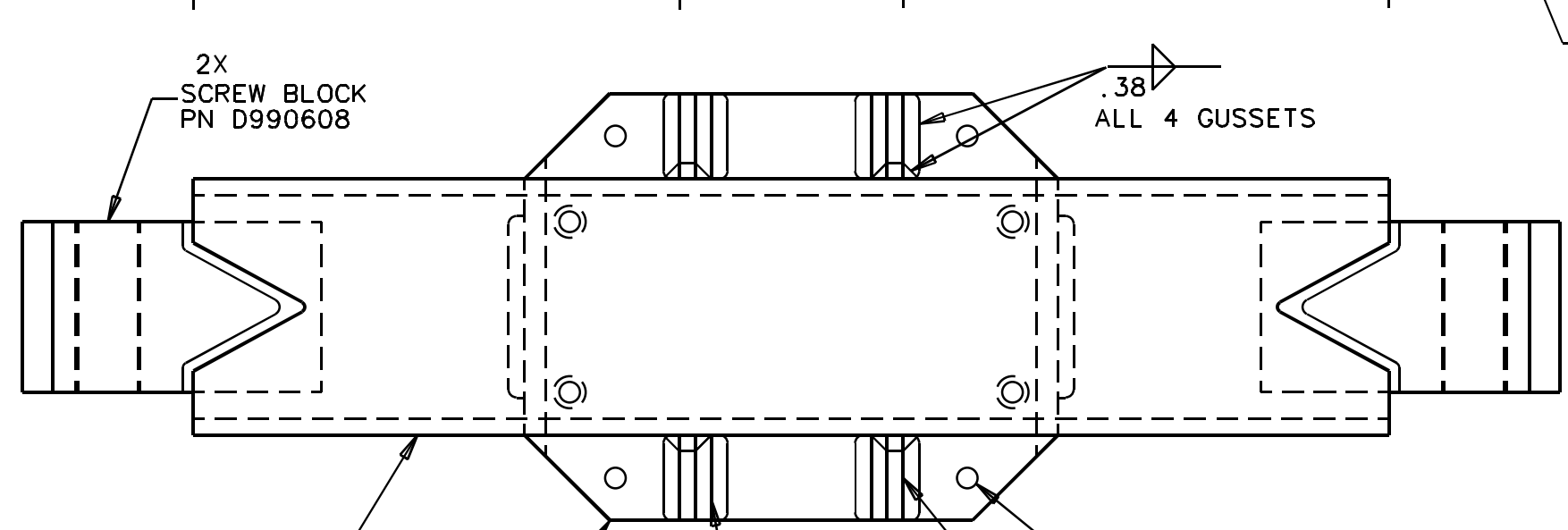
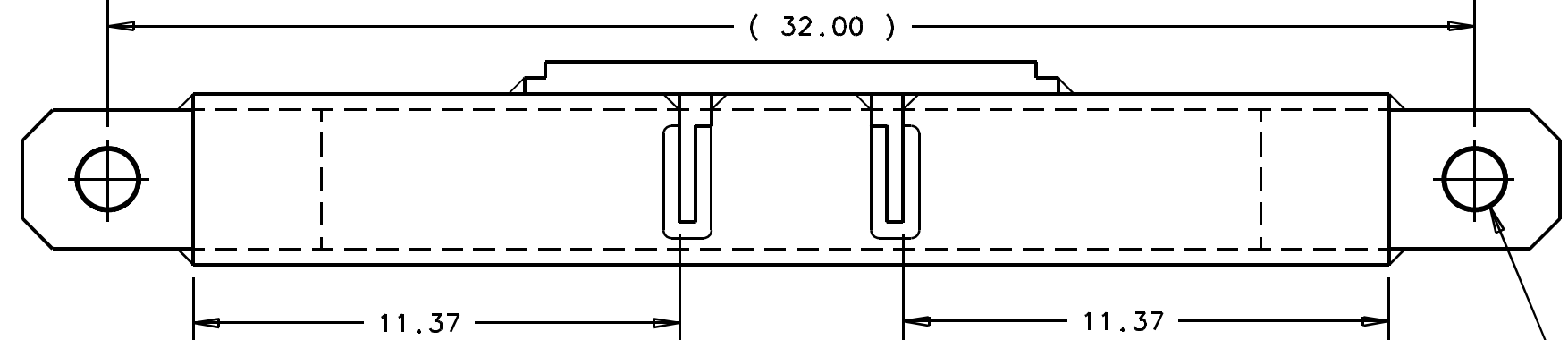
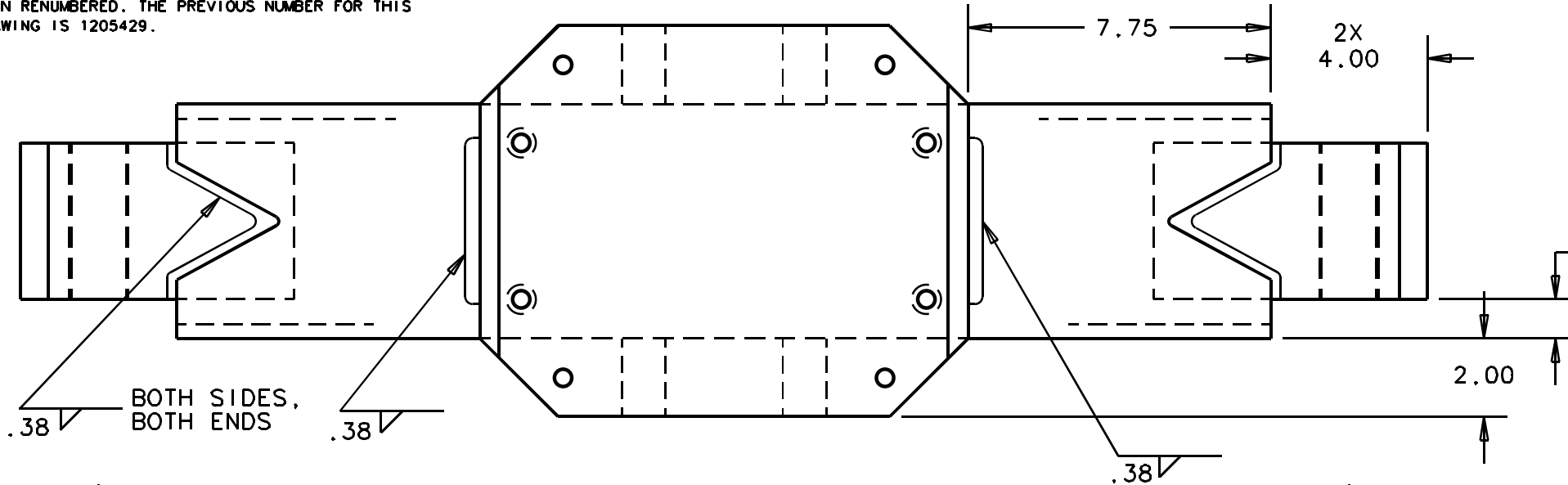


NOTES: (UNLESS OTHERWISE SPECIFIED)  
 1. THIS DRAWING AND IT'S COMPONENT DRAWINGS HAVE BEEN RENUMBERED. THE PREVIOUS NUMBER FOR THIS DRAWING IS 1205429.

REV	DATE	DRAWN BY	CHECKED	DCC	DCN/DESCRIPTION
A	9/20/99	C. CONLEY			E990349-00-R



2X SCREW BLOCK  
PN D990608

2X GUSSET,  
PN D990545

2X OPPOSITE GUSSET  
PN D990607

CROSS BEAM  
PN D990547

ADAPTOR PLATE  
PN D990546

MAY DRILL AND TAP  
AFTER WELDING

MAY DRILL AND TAP  
AFTER WELDING

ALL 4 GUSSETS

DRWN	DATE	CALIFORNIA INSTITUTE OF TECHNOLOGY MASSACHUSETTS INSTITUTE OF TECHNOLOGY	
CHKD		LIGO PROJECT	
ENGR		1-Deas CAD file: D990548-A.dwg dcc file: D990548-A.pdf	
APPD		TITLE	
UNLESS OTHERWISE SPECIFIED:		CROSS BEAM WELDMENT SIDE CH. STACK ASSY	
DIMENSION UNITS ARE inch (mm)		SCALE: 1/8" = 1"	
TOLERANCES ARE:		SIZE DRAWING NUMBER	
X.XXX: ± 0.005		B D990548-A	
X.XX: ± 0.01		SHEET	
ANGLES: ± 0.25°		1 OF 1	
NEXT ASSEMBLY:			