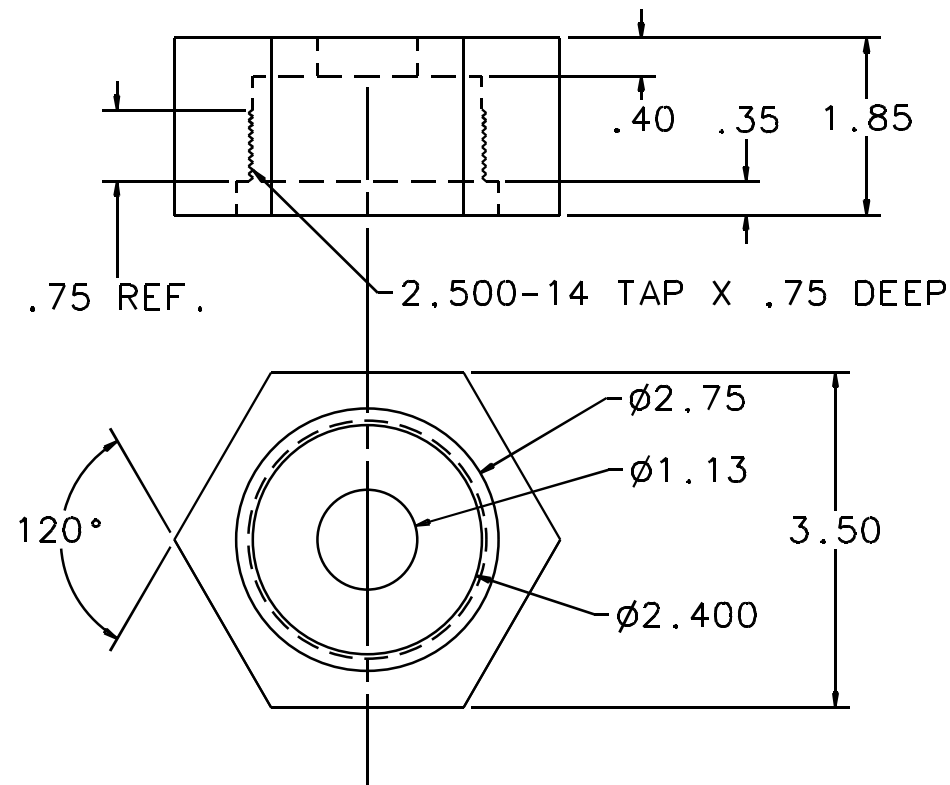


NOTES: (UNLESS OTHERWISE SPECIFIED)

1. THIS DRAWING HAS BEEN RENUMBERED. THE PREVIOUS DRAWING NUMBER IS 1202085.
2. BREAK ALL SHARP EDGES.
3. MATERIAL: LEDLOY 300 STEEL.
5. FINISH: CADMIUM OR ZINC PLATE.

REV	DATE	DRAWN BY	CHECKED	DCC	DCN/DESCRIPTION
A	10-12-99	C. CONLEY			E990349-00-R



DRWN	DATE	CALIFORNIA INSTITUTE OF TECHNOLOGY MASSACHUSETTS INSTITUTE OF TECHNOLOGY
J. JOELLE		LIGO PROJECT
CHKD		1-Deas CAD file: D990602-A.dwg
ENGR		dcc file: D990602-A.pdf
APPD		TITLE
UNLESS OTHERWISE SPECIFIED:		SUPPORT PEDESTAL CAP
DIMENSION UNITS ARE inch (mm)		
TOLERANCES ARE:		
X.XXX: ± .010		
X.XX: ± .030		SCALE: NTS
X.X: ± 1°		SIZE
NEXT ASSEMBLY:		DRAWING NUMBER
		B
		D990602-A
		SHEET
		1 OF 1