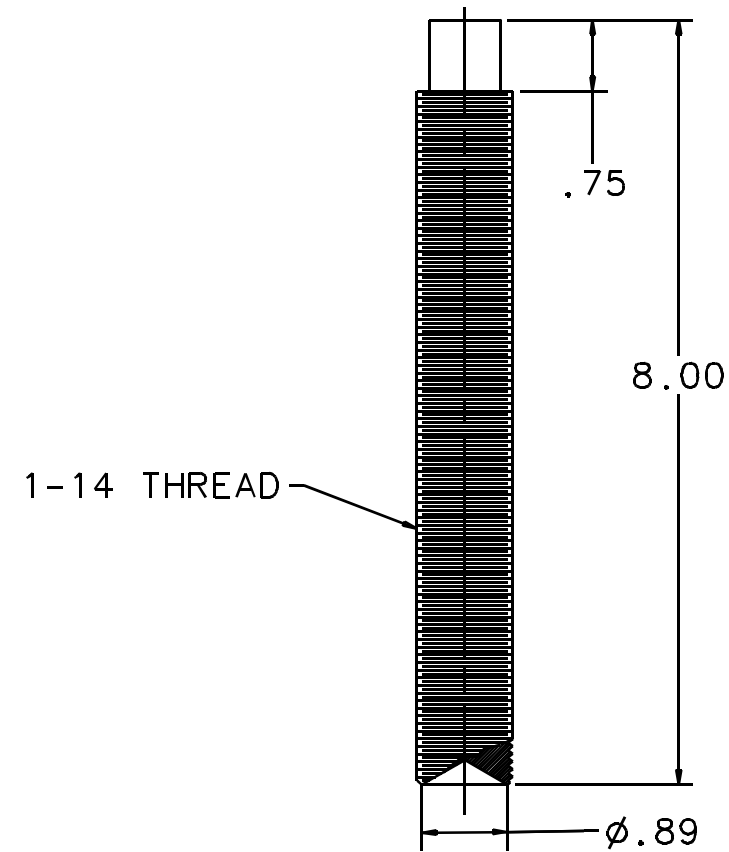
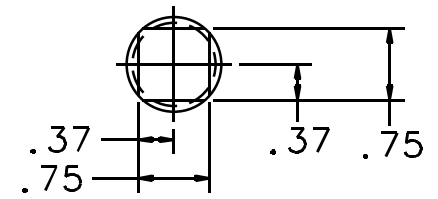


NOTES: (UNLESS OTHERWISE SPECIFIED)

1. THIS DRAWING HAS BEEN RENUMBERED. THE PREVIOUS DRAWING NUMBER IS 1202085.
2. BREAK ALL SHARP EDGES.
3. MATERIAL: MAKE FROM McMASTER-CARR 92580A114 ROD OR EQUIVALENT.

REV	DATE	DRAWN BY	CHECKED	DCC	DCN/DESCRIPTION
A	10-12-99	C. CONLEY			E990349-00-R



DRWN J. JOELLE	DATE	CALIFORNIA INSTITUTE OF TECHNOLOGY MASSACHUSETTS INSTITUTE OF TECHNOLOGY	LIGO PROJECT
CHKD		1-Deas CAD file: D990603-A.dwg	
ENGR		dcc file: D990603-A.pdf	
APPD		TITLE	
UNLESS OTHERWISE SPECIFIED:		SUPPORT PEDESTAL BOLT	
DIMENSION UNITS ARE inch (mm)			
TOLERANCES ARE:			
X.XXX: $\pm .010$			
X.XX: $\pm .030$			
ANGLES: $\pm 1^\circ$			
NEXT ASSEMBLY:		SCALE: NTS	SHEET
		B	1 OF 1
		D990603-A	